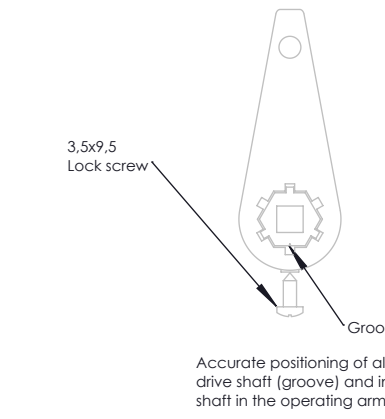
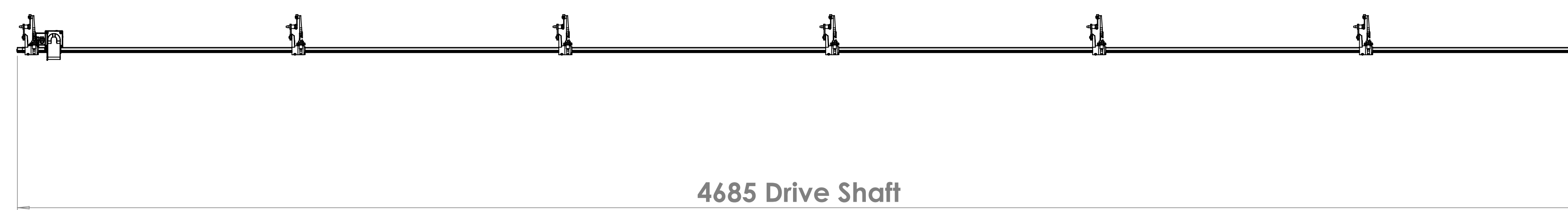
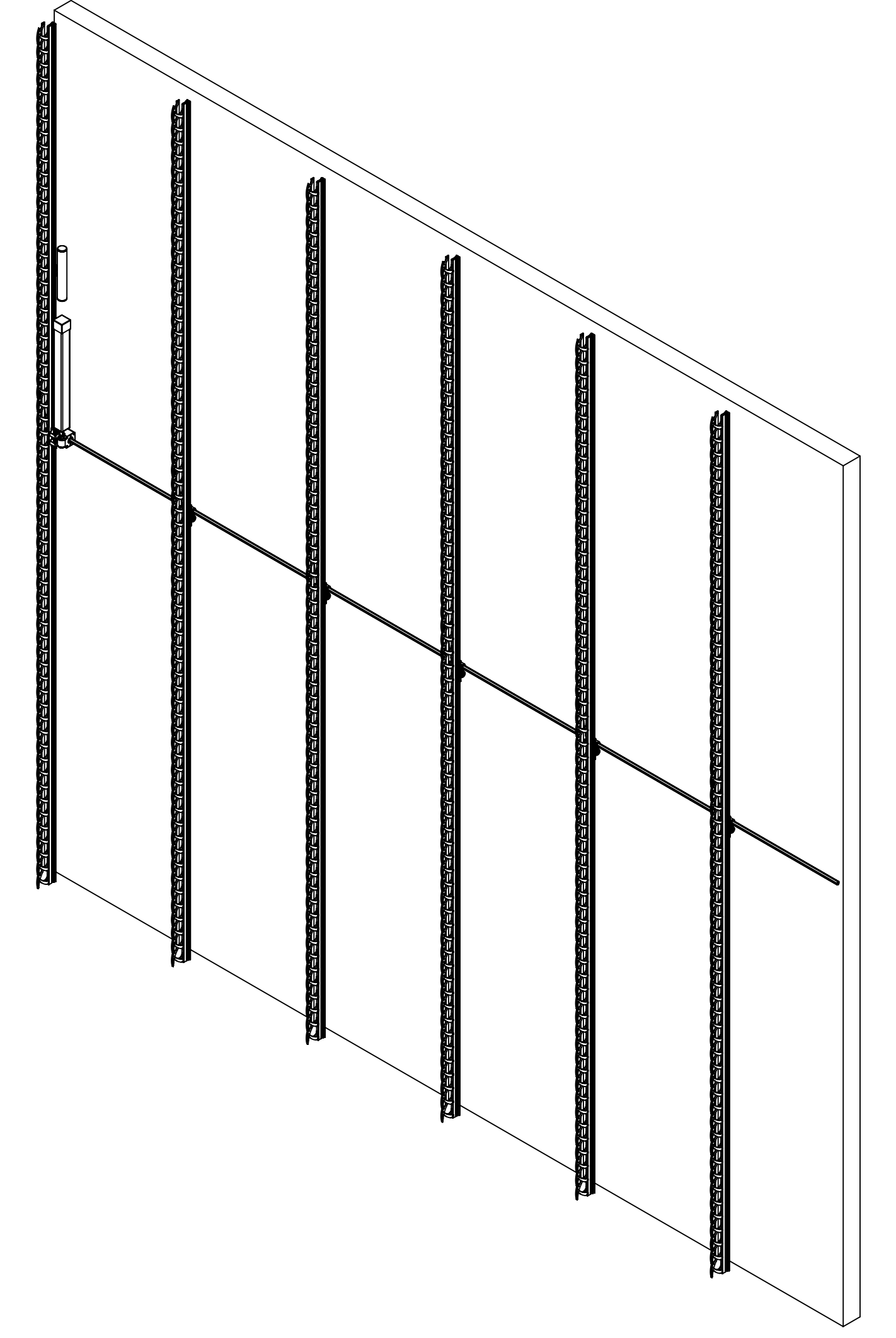
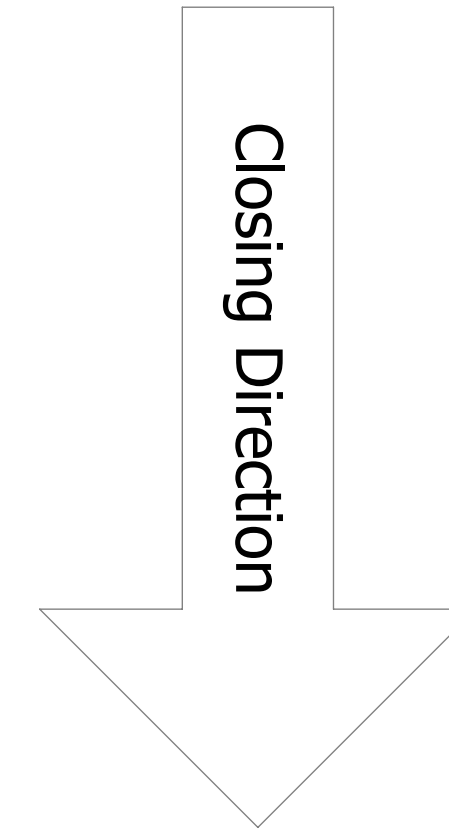
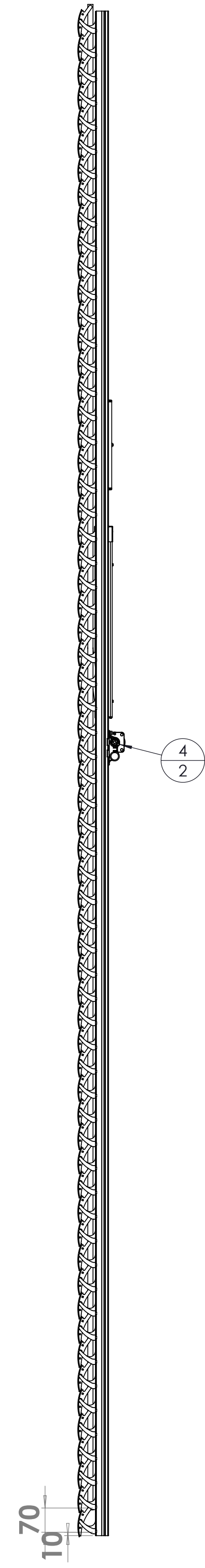
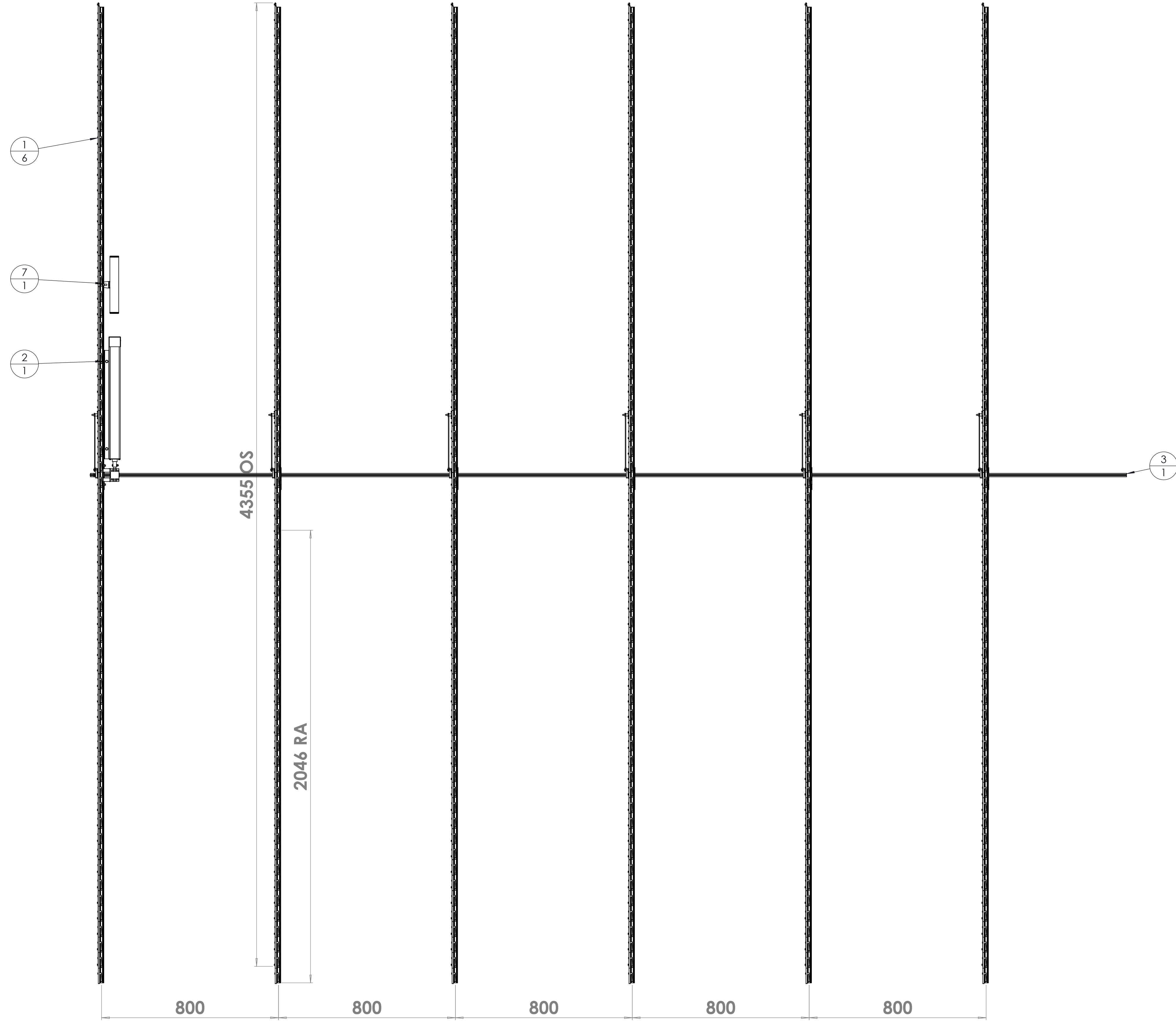
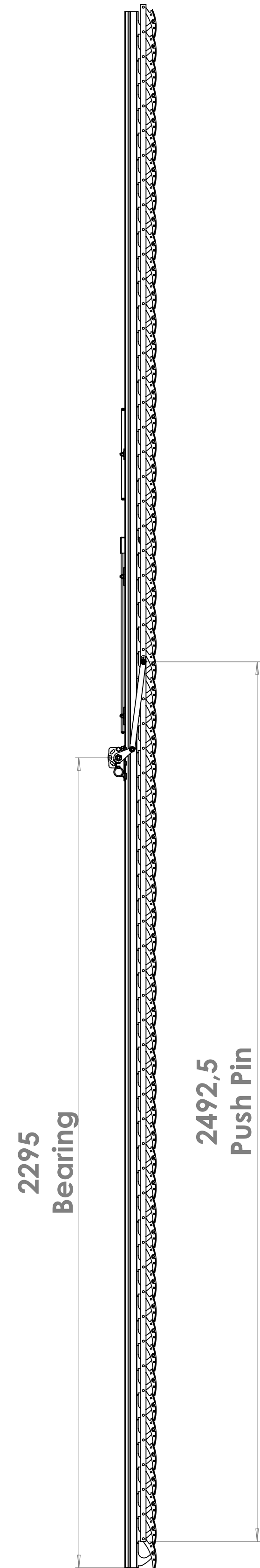


ATTENTION



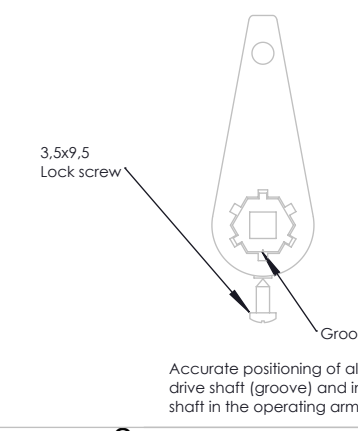
FASTENERS FOR INSTALLATION EXCLUDED (third party)				FASTENERS FOR SYSTEM ASSEMBLY INCLUDED			
MATERIAL							
CUSTOMER	DATE	24-6-2021	RACK ARMS & PARTS	NAT. ANO			
DESCRIPTION	SCALE	1:10	LOUVERS				
PROJECT NR	ENGINEER	JM	PLASTIC PARTS	Light Grey			
2102077							
Quantity: 65	QTY	1	Ext	2102077-01-000	1:2	A0	
NL 4941 V1	STATE	Waiting for Approval					
RogierDorckshof	REV	A					





ITEM NO.	QTY.	SW-File Name (File Name)	DESCRIPTION	Comment 2
1	6	2102077-01-100	Standard Rack Arm, 35 mm, Pitch 70 (10) Assembled	L=4410
2	1	58 957 99 11	Exterior Motor kit for 7:1 Hard Wired (incl. Motorhood L=545)	L=545 (Motorhood)
3	1	2102077-01-501	Drive Shaft	L=4685
4	2	939	DIN 7981 Panhead screw 3,5 x 9,5	
5	1	28 933	Hirschmann Set STAK/STAS-3 (Stak/Stas/clamp)	
6	1	28 102	Somfy LS40 VULCAN Motor 13/10/230V, 3m white cable	
7	1	58 988	Stak/Stas Protecting Kit (incl. Tube, Plugs & Bracket) (lg=230mm)	^

ATTENTION



FASTENERS FOR INSTALLATION EXCLUDED (third party)				FASTENERS FOR SYSTEM ASSEMBLY INCLUDED			
CUSTOMER	DATE	24-6-2021	RACK ARMS & PARTS	NAT. ANO			
DESCRIPTION	SCALE	1:10	LOUVERS				
PROJECT NR	ENGINEER	JM	PLASTIC PARTS	Light Grey			
2102077							
Quantity	QTY	1	Ext	2102077-01-000	22	AD	
State	STATE	Waiting for Approval					
Revision	REV	A					

