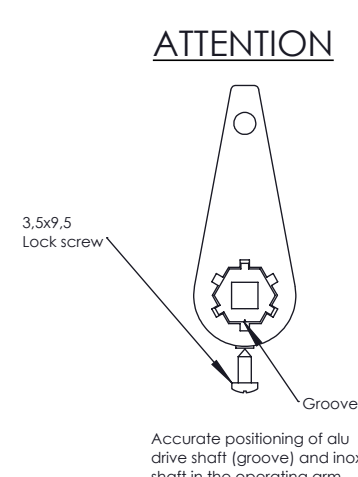


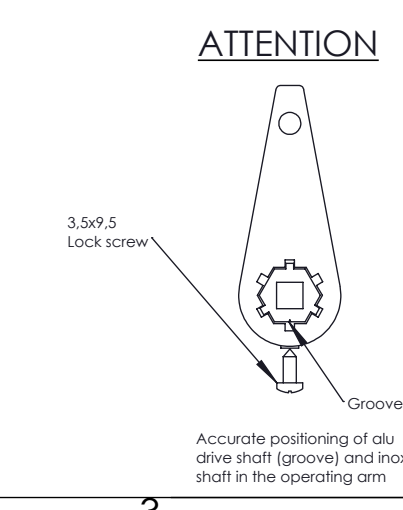
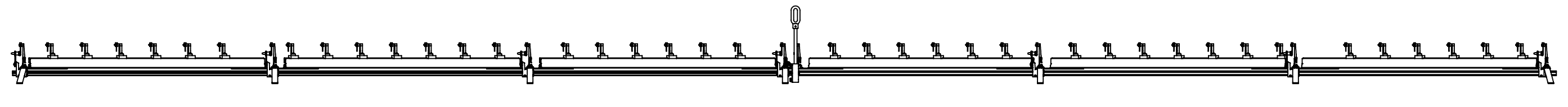
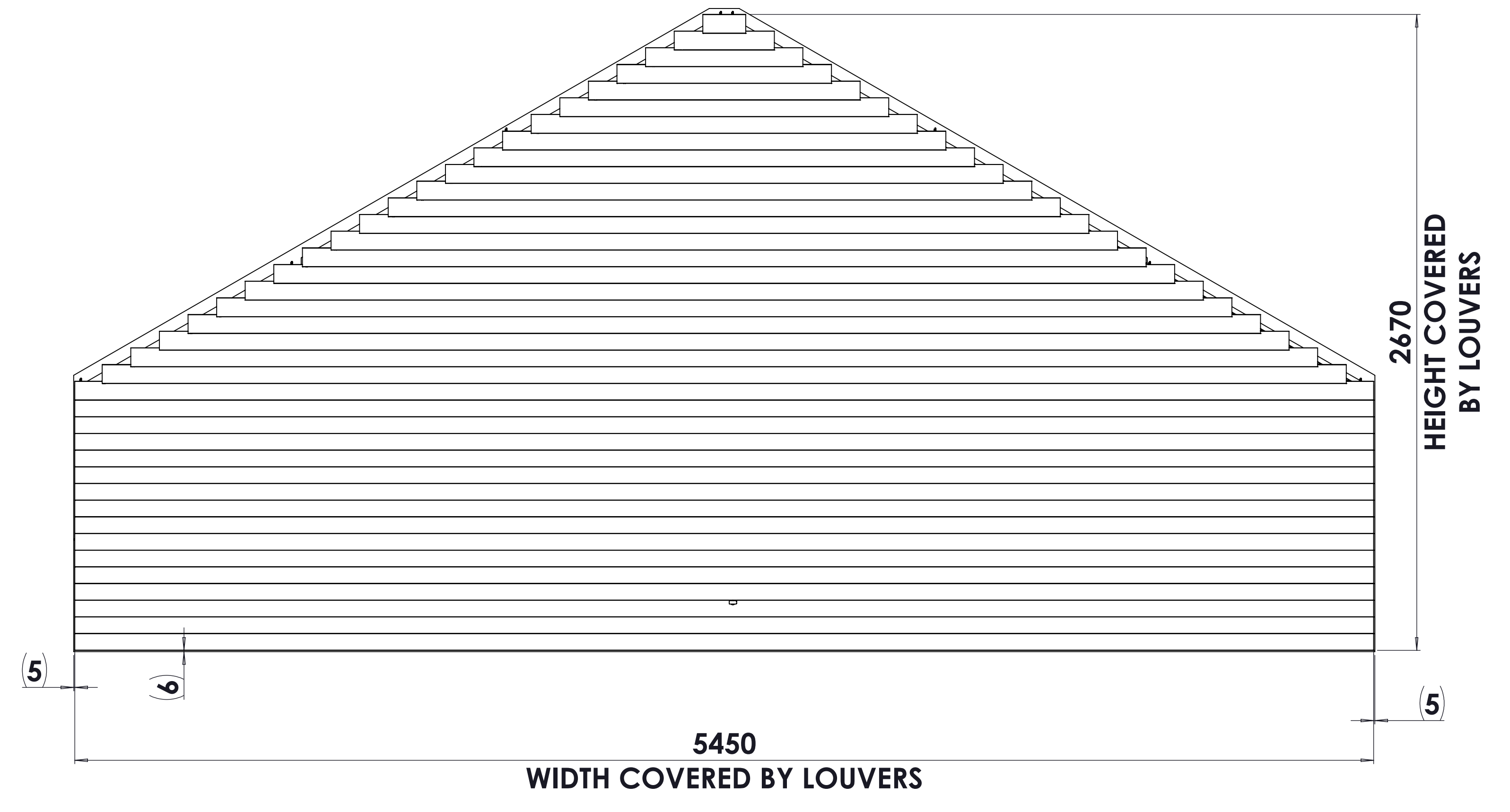
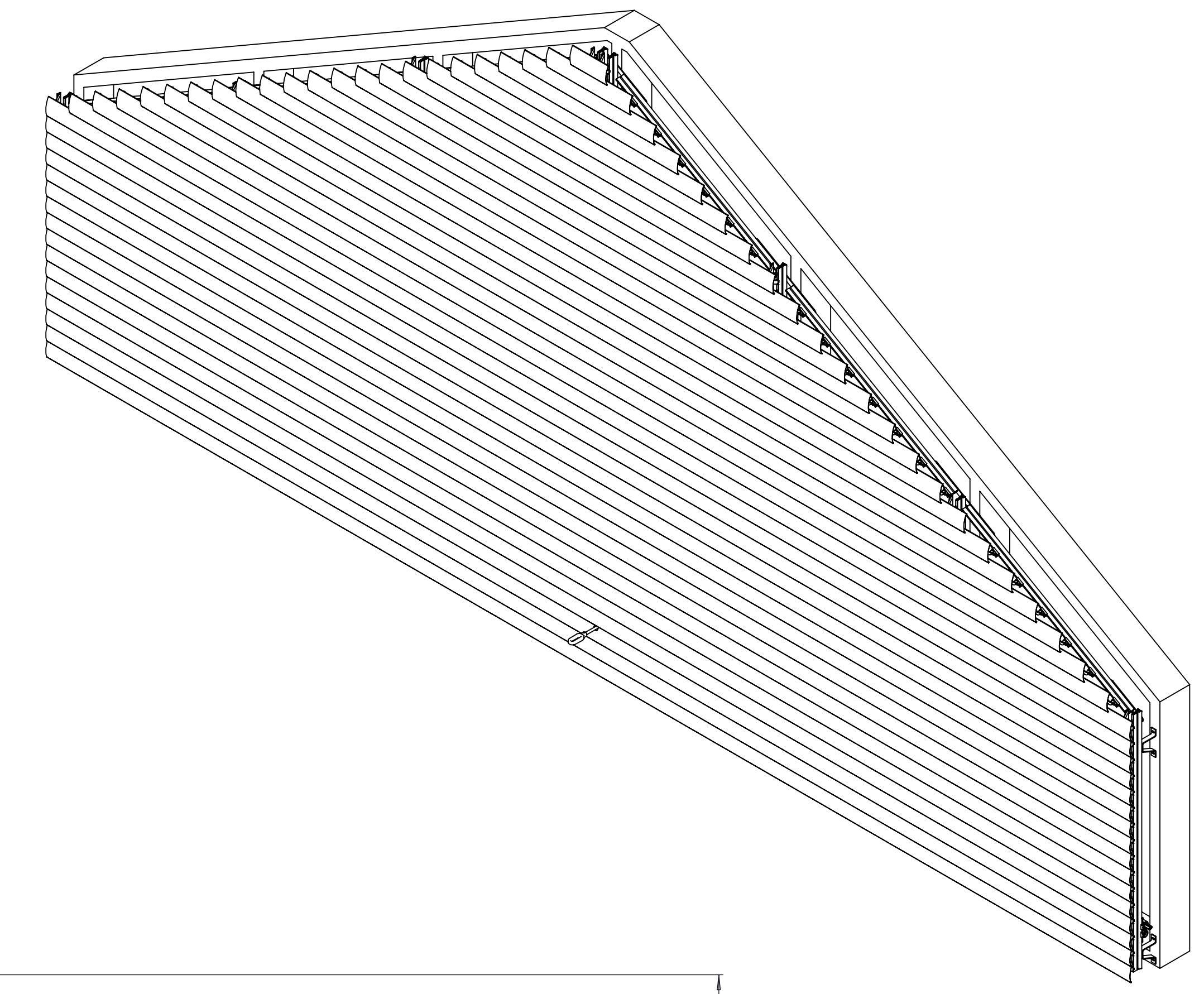
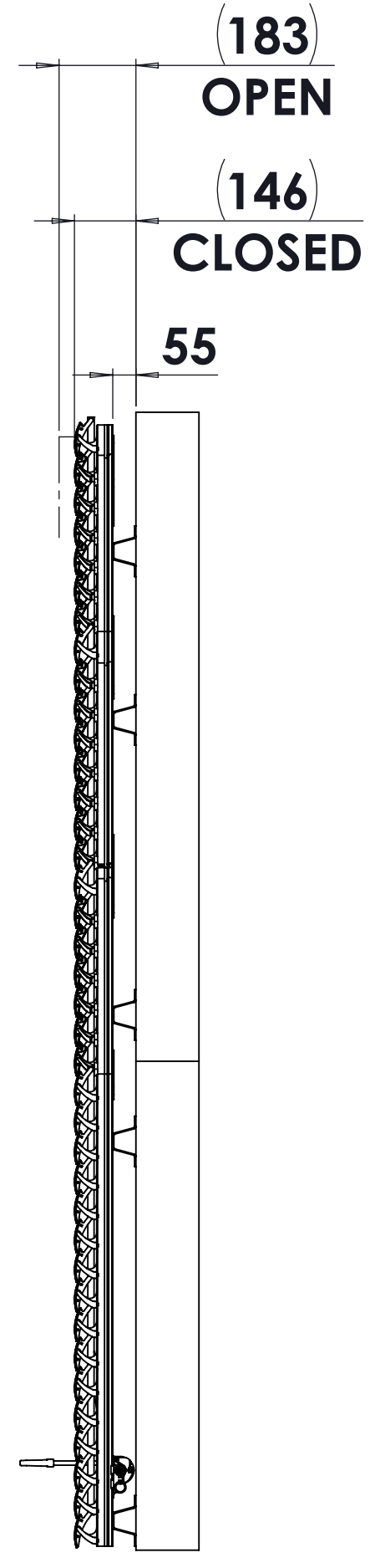
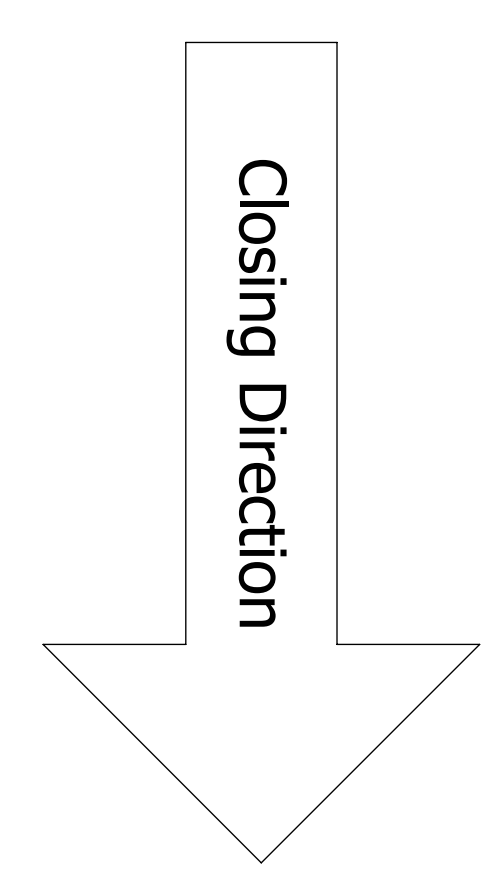
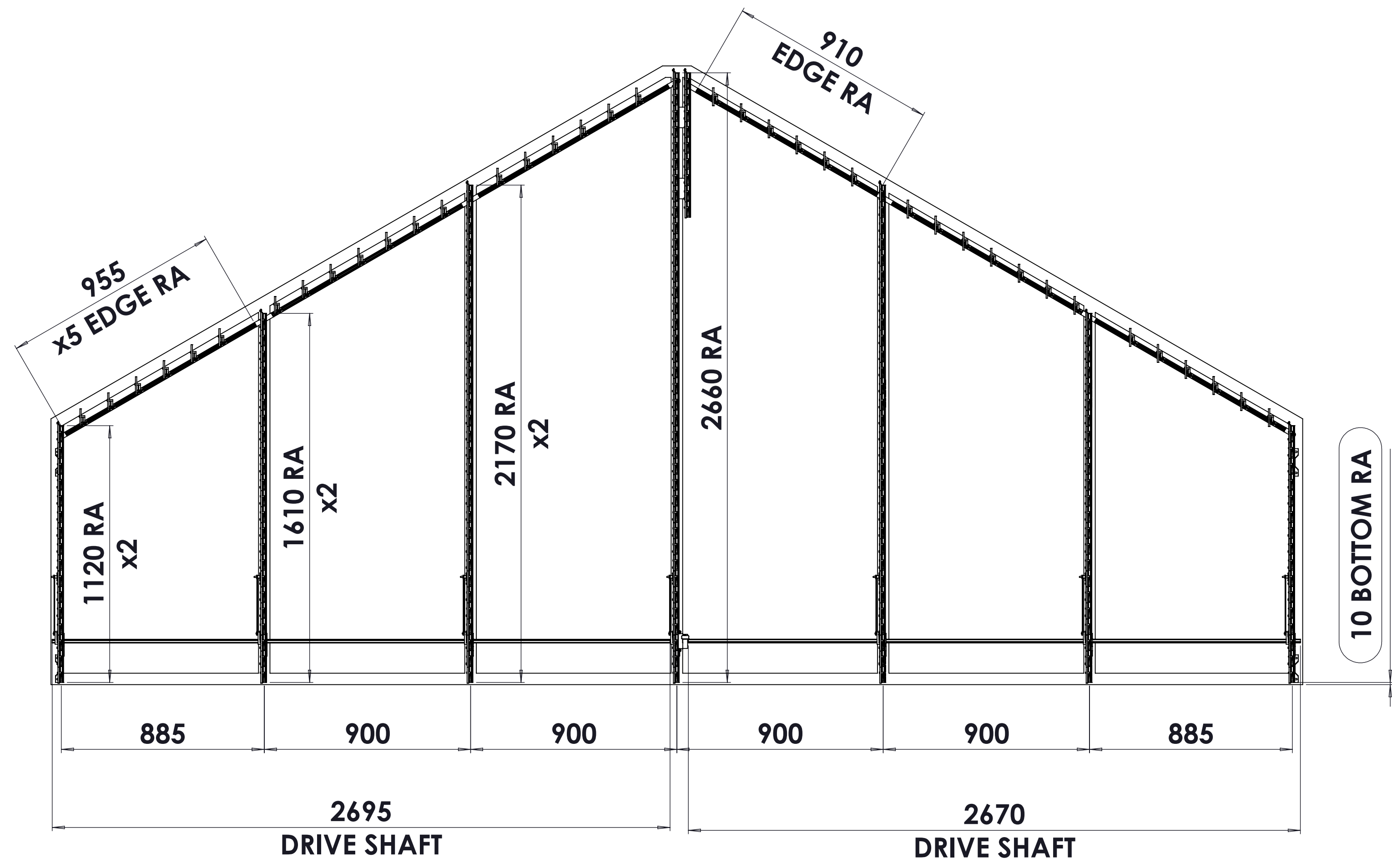
ITEM NO.	QTY.	SW-File Name (File Name)	DESCRIPTION	Comment 2
1	2	2201013-01-100	Standard Rack Arm, 35 mm, Pitch 70 (10) Assembled	L=1120
2	2	2201013-01-100	Standard Rack Arm, 35 mm, Pitch 70 (10) Assembled	L=1610
3	2	2201013-01-100	Standard Rack Arm, 35 mm, Pitch 70 (10) Assembled	L=2170
4	1	2201013-01-100	Standard Rack Arm, 35 mm, Pitch 70 (10) Assembled	L=2660
5	1	2201013-01-101	Standard Rack Arm, 35 mm, Pitch 70 (10) Assembled	L=630
6	1	2201013-01-201	Standard Rack Arm, 35 mm, Pitch-70	L=910; Pitch 70 (910)
7	5	2201013-01-201	Standard Rack Arm, 35 mm, Pitch-70	L=955; Pitch 70 (955)
8	38	2201013-01-401	Louver 80R	SEE DWG
9	1	2201013-01-501	Drive Shaft	L=2670
10	1	2201013-01-501	Drive Shaft	L=2695
11	1	2201013-58 990		
12	38	2201013-80 366	Turnable Edge Pivot Kit S-System Pitch-70/90 (incl. short slot clip & screw)	
13	4	58 203	Rack Arm Connector End-Strip, 3 holes (M6), 20x3mm, lg=190mm	L=190
14	4	58 305	Rack Arm Connector Center-Strip, 5 holes (M6), 20x3mm, lg=350mm	L=350
15	13	58 623	Omega H-55, 29x54x31x54x29 x 3 mm, lg=20mm	L=20
16	4	58 625	Omega H-55: 75°, lg=20mm	L=20 (1.31°)
17	2	58 724	Top plate 70 x 90 mm, 4 holes, S-System	01



FASTENERS FOR INSTALLATION EXCLUDED (third party)				FASTENERS FOR SYSTEM ASSEMBLY INCLUDED			
CUSTOMER	DATE	SCALE	PROJECT	DESCRIPTION	DATE	SCALE	PROJECT
BOR	01/04/2022	1:8	2201013	RAVING ARMS & PARTS	01/04/2022	1:8	2201013
PROJECT NR	ENGINEER	STATE	REV	PLASTIC PARTS	STATE	REV	PLASTIC PARTS
2201013	RW	Approved	01	2201013-01-000	Approved	01	2201013-01-000
DATE	SCALE	PROJECT	REV	DATE	SCALE	PROJECT	REV
01/04/2022	1:8	2201013	01	01/04/2022	1:8	2201013	01



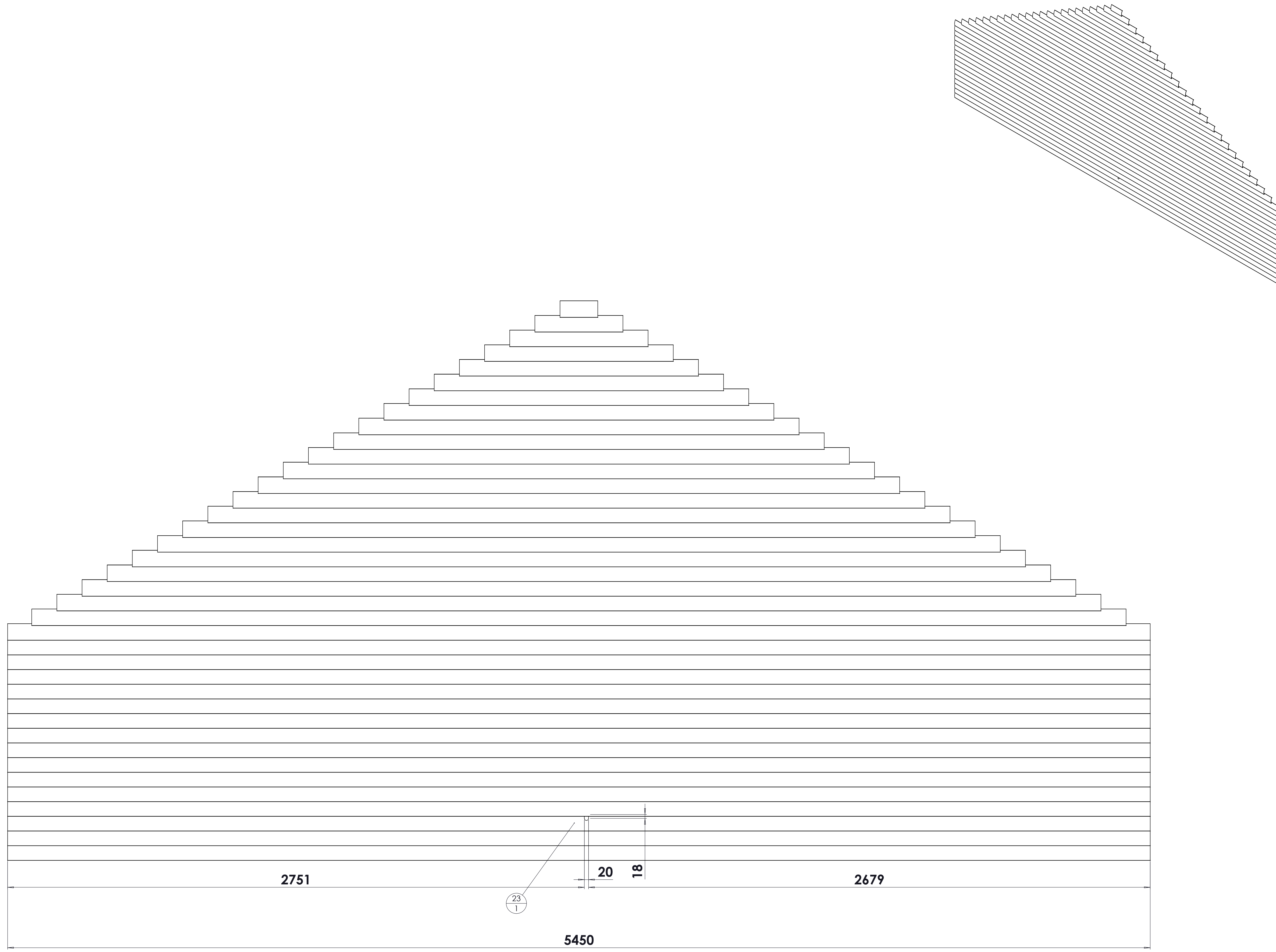




FASTENERS FOR INSTALLATION EXCLUDED (third party)				FASTENERS FOR SYSTEM ASSEMBLY INCLUDED			
MATERIAL							
CUSTOMER	BOR	DATE	01/04/2022	RACK ARMS & PARTS		Natural Anodized	
DESCRIPTION	LOUVERS	SCALE	1:15	LOUVERS		RAL 7035 30%	
PROJECT NR	2201013	ENGINEER	RW	PLASTIC PARTS		Light Grey	
QUANTITY	1	STATE	Approved				
REV	01						
FASTENERS FOR SYSTEM ASSEMBLY INCLUDED MATERIAL: RAL 7035 30% COLOR: Light Grey FASTENERS FOR INSTALLATION EXCLUDED (third party)				PROJECT NUMBER: 2201013-01-000 DRAWING NUMBER: 34 SHEET NUMBER: A0			



ITEM NO.	QTY.	LENGTH
1	1	180
2	1	420
3	1	660
4	1	900
5	1	1140
6	1	1380
7	1	1620
8	1	1860
9	1	2100
10	1	2340
11	1	2580
12	1	2820
13	1	3060
14	1	3300
15	1	3540
16	1	3780
17	1	4020
18	1	4260
19	1	4500
20	1	4740
21	1	4980
22	1	5220
23	1	5450
24	15	5450
Total	38	146600



**ATTENTION**

FASTENERS FOR INSTALLATION EXCLUDED (third party)      FASTENERS FOR SYSTEM ASSEMBLY INCLUDED

CUSTOMER	DATE	01/04/2022	RACK ARMS & PARTS	Natural Anodized
DESCRIPTION	SCALE	1:8	LOUVERS	RAL 7035 30%
PROJECT NR	ENGINEER	RW	PLASTIC PARTS	Light Grey
OPERATED BY	QTY	STATE	Approved	BOR
REVISIONS	REV	01		INT
				2201013-01-000
				44
				A0

**SUNSHIELD**  
UNIQUE LOUVERS