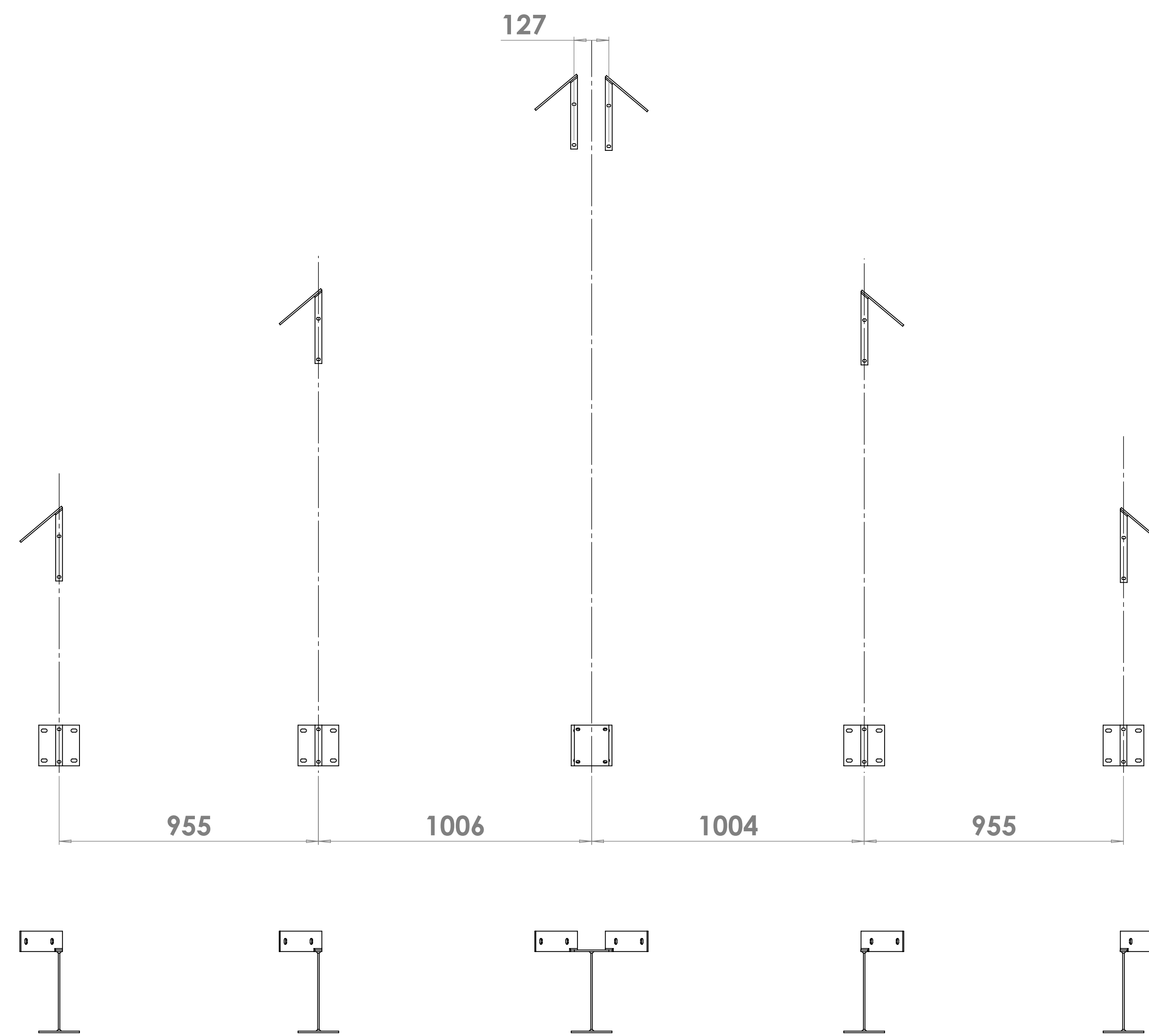


No window Frame



Window Frame  
with Brackets

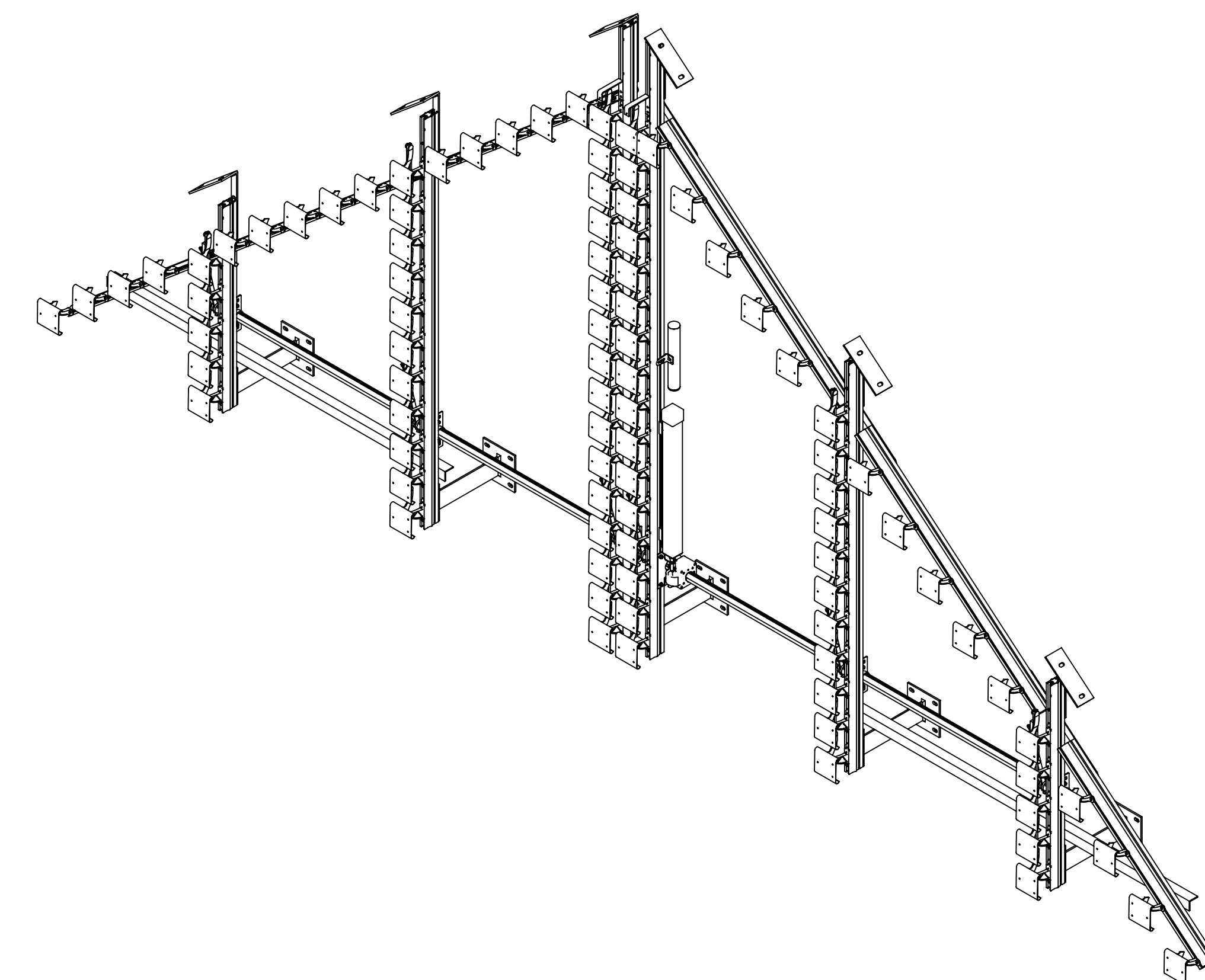
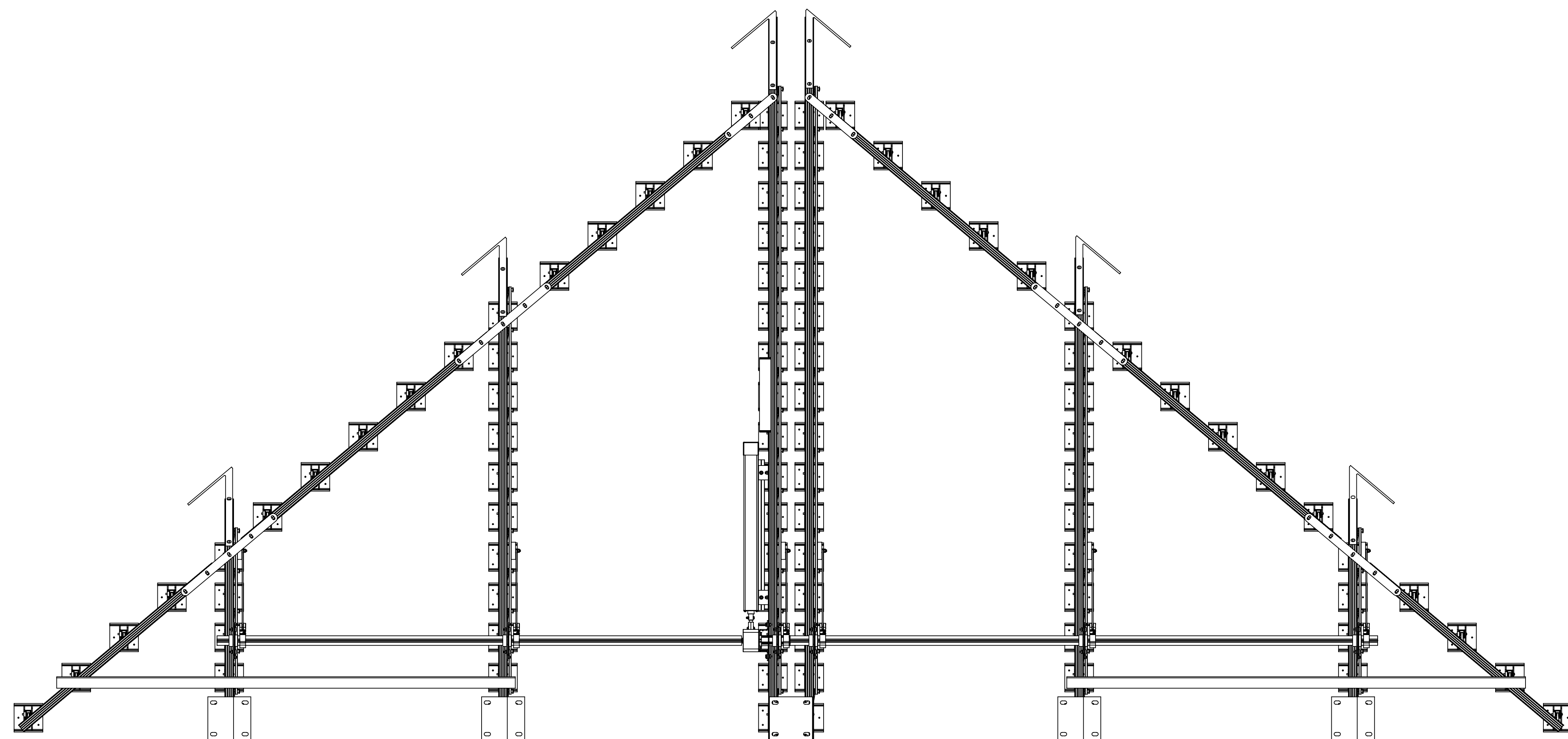
**ATTENTION**

3.5x3 LOCK SCREW

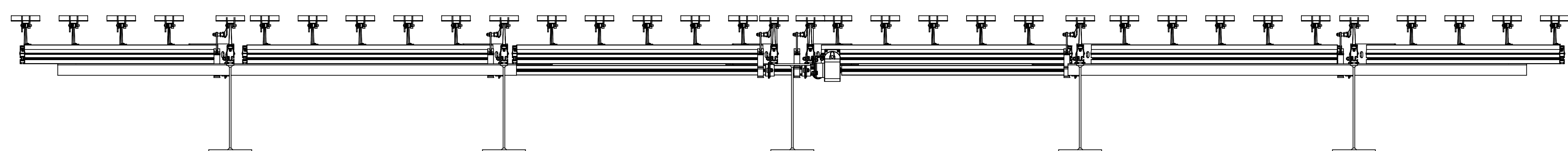
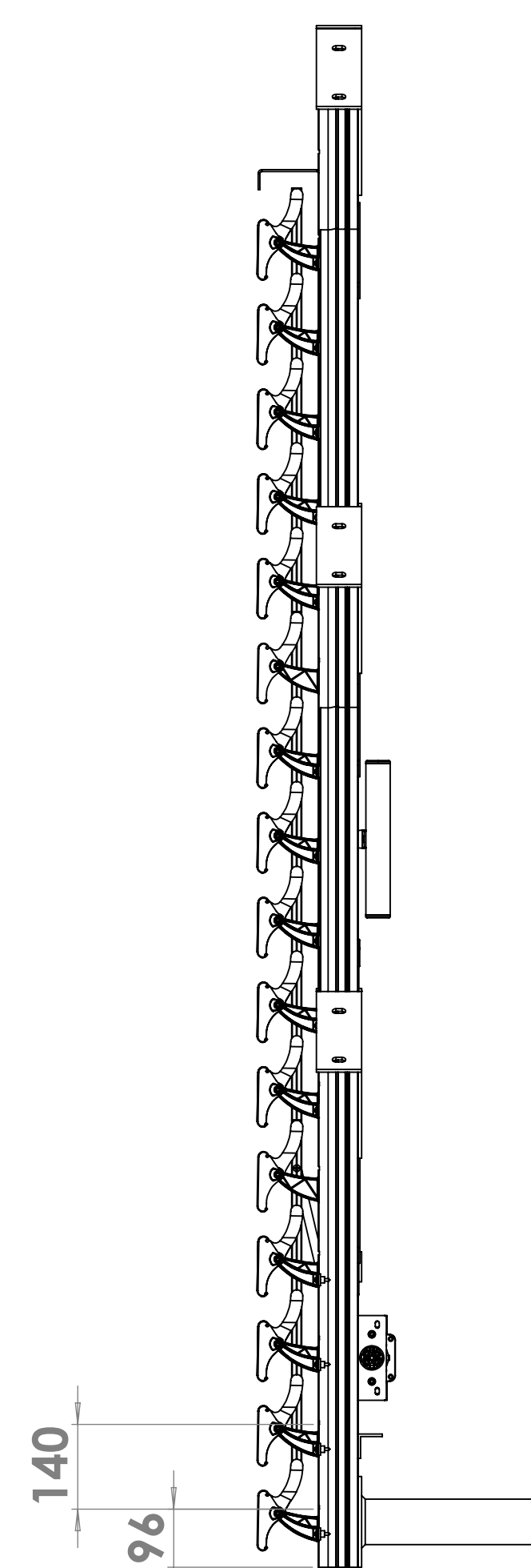
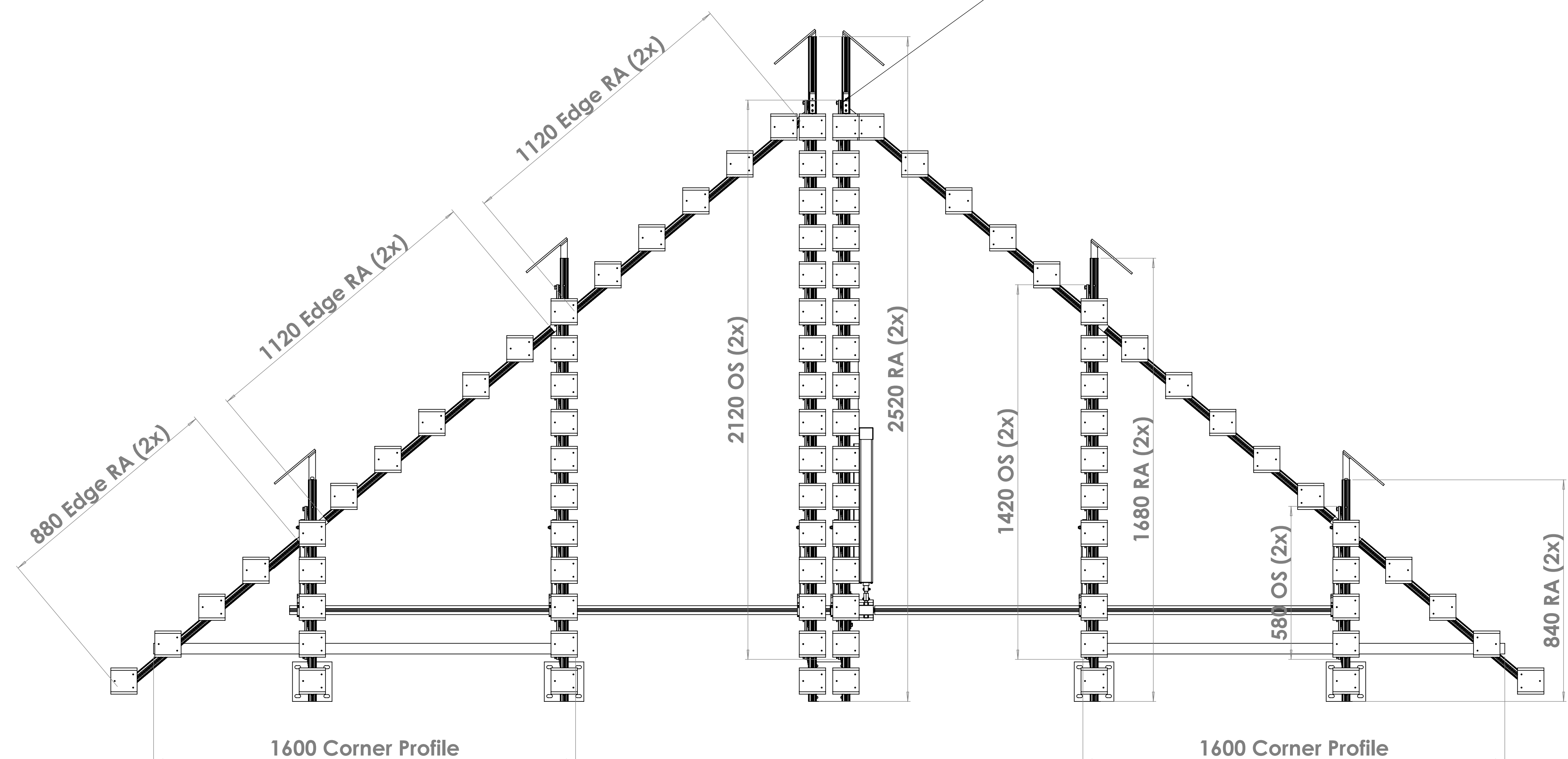
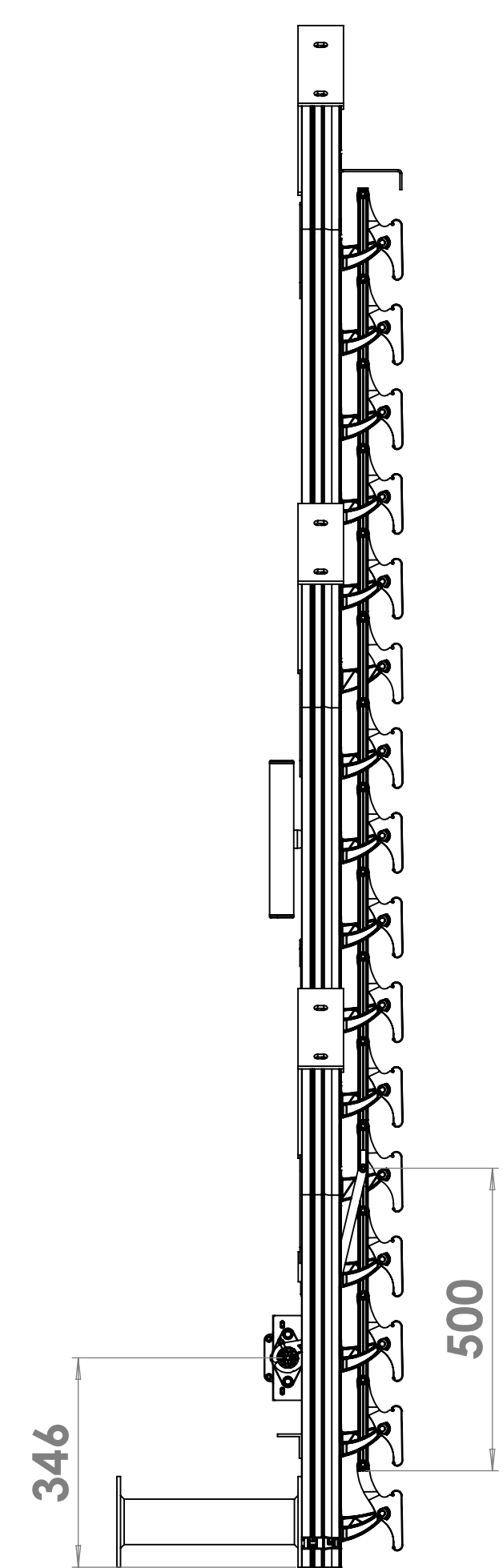
FASTENERS FOR INSTALLATION EXCLUDED (third party)				FASTENERS FOR SYSTEM ASSEMBLY INCLUDED			
MATERIAL		DATE	5-10-2022	RACK ARMS & PARTS	RAL 7016 30% SD		
CUSTOMER		SCALE	1:12.5	LOUVERS	Untreated WRC		
DESCRIPTION		ENGINEER	JB	PLASTIC PARTS	Black		
PROJECT NR		QTY	1	STATE	Approved	2207063-01-000	1:4 A0
REVISION		REV	01				

FASTENERS FOR SYSTEM ASSEMBLY INCLUDED

**SUNSHIELD**  
UNIQUE LOUVERS

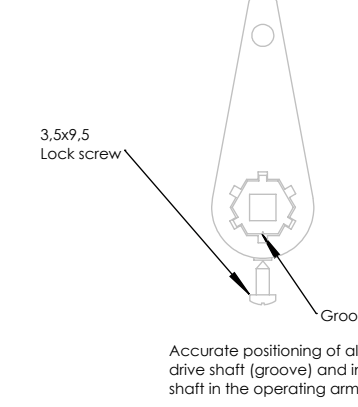


Fixed Louver Bracket (2x)



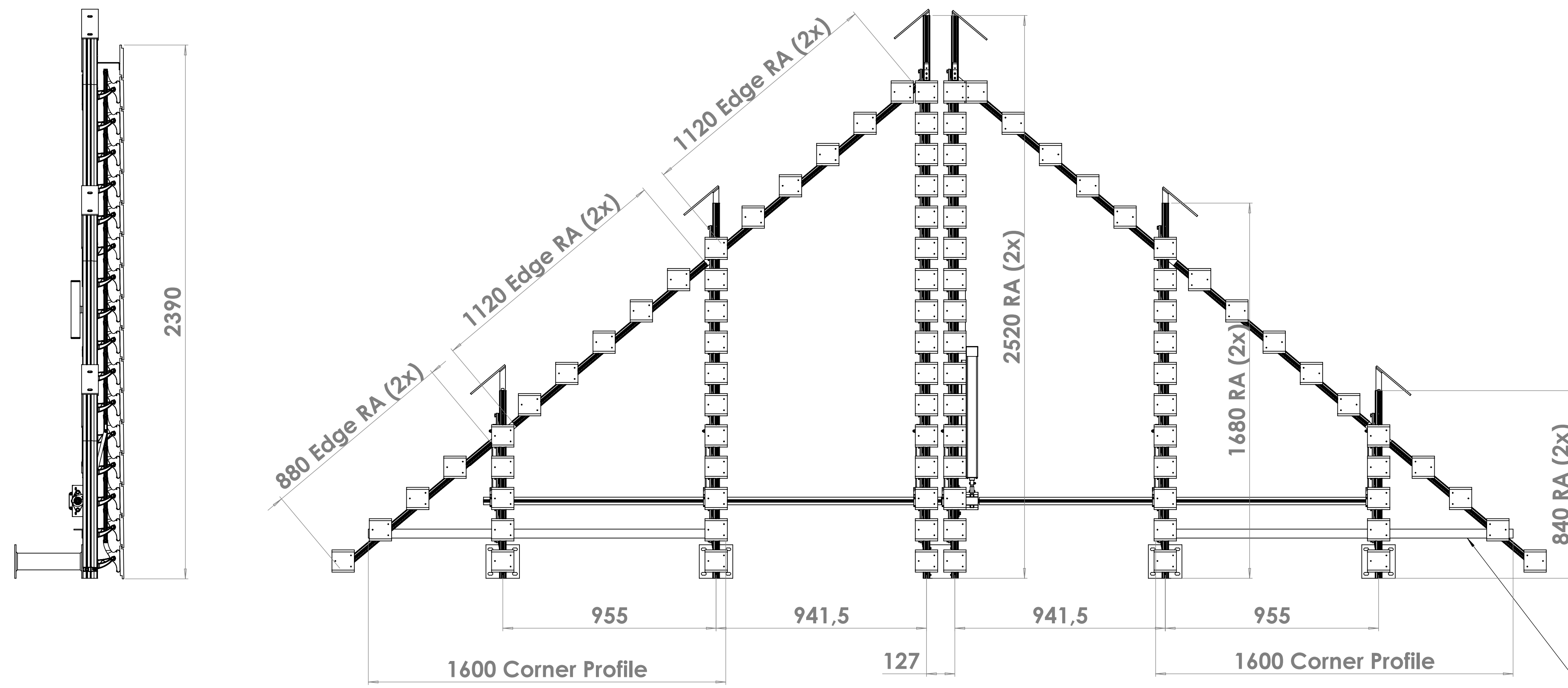
ITEM NO.	QTY.	SW-File Name (File Name)	DESCRIPTION	Comment 2
1	2	14 603	Edge Rack Arm Connect-strip 3 holes for M8 (L/R)	
2	4	14 725	Edge Rack Arm Connect-strip 5 holes for M8 (Center)	
3	2	2207063-01-100	Rack Arm 65 mm L-System, Pitch 140 mm (96)	L=1680
4	2	2207063-01-100	Rack Arm 65 mm L-System, Pitch 140 mm (96)	L=2520
5	2	2207063-01-100	Rack Arm 65 mm L-System, Pitch 140 mm (96)	L=840
6	4	2207063-01-211	Heavy Duty Edge Rack arm 65 mm	L=1120
7	2	2207063-01-213	Heavy Duty Edge Rack arm 65 mm	L=880
8	2	2207063-01-301	Fixed Louver Bracket	T=3
9	9	2207063-01-401	148W Louver	L=See DWG
10	9	2207063-01-403	148W Louver	L=See DWG
11	8	2207063-01-404	148W Louver	L=See DWG
12	1	2207063-01-501	Drive tube 35 mm	L=1830
13	1	2207063-01-502	Drive tube 35 mm	L=2050
14	2	2207063-01-601	Corner Profile 40x40x4	L=1600
15	1	28 143	Somfy SUNEa SCR 40 IO, 13/10/230V, 5m white cable	
16	1	28 161	Somfy Situ0 1 IO Pure Transmitter, White	
17	1	28 965	Hirschmann Set STAK/STAS-2 (Stak/Stos/clamp)	
18	28	45 125	Fixing Clip Wood Louver	L=100
19	28	45 361	Turnable pivot (kit), L-System (incl. Slotclip & screw)	
20	1	45 813 22	Motor Kit 13:1 IO/RTS	
21	1	58 988	Stak/Stos Protecting Kit (incl. Tube, Plugs & Bracket) (lg=230mm)	

ATTENTION

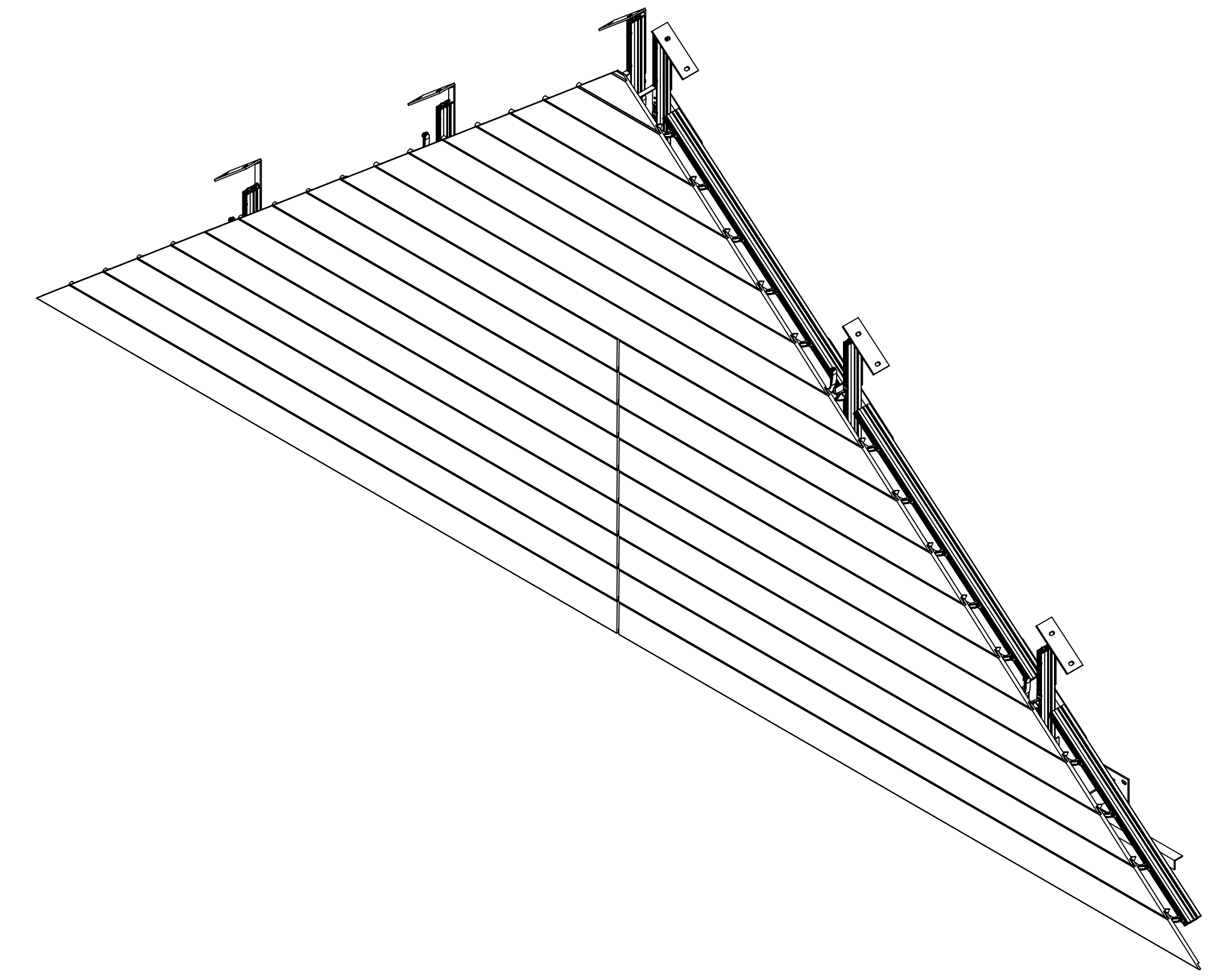
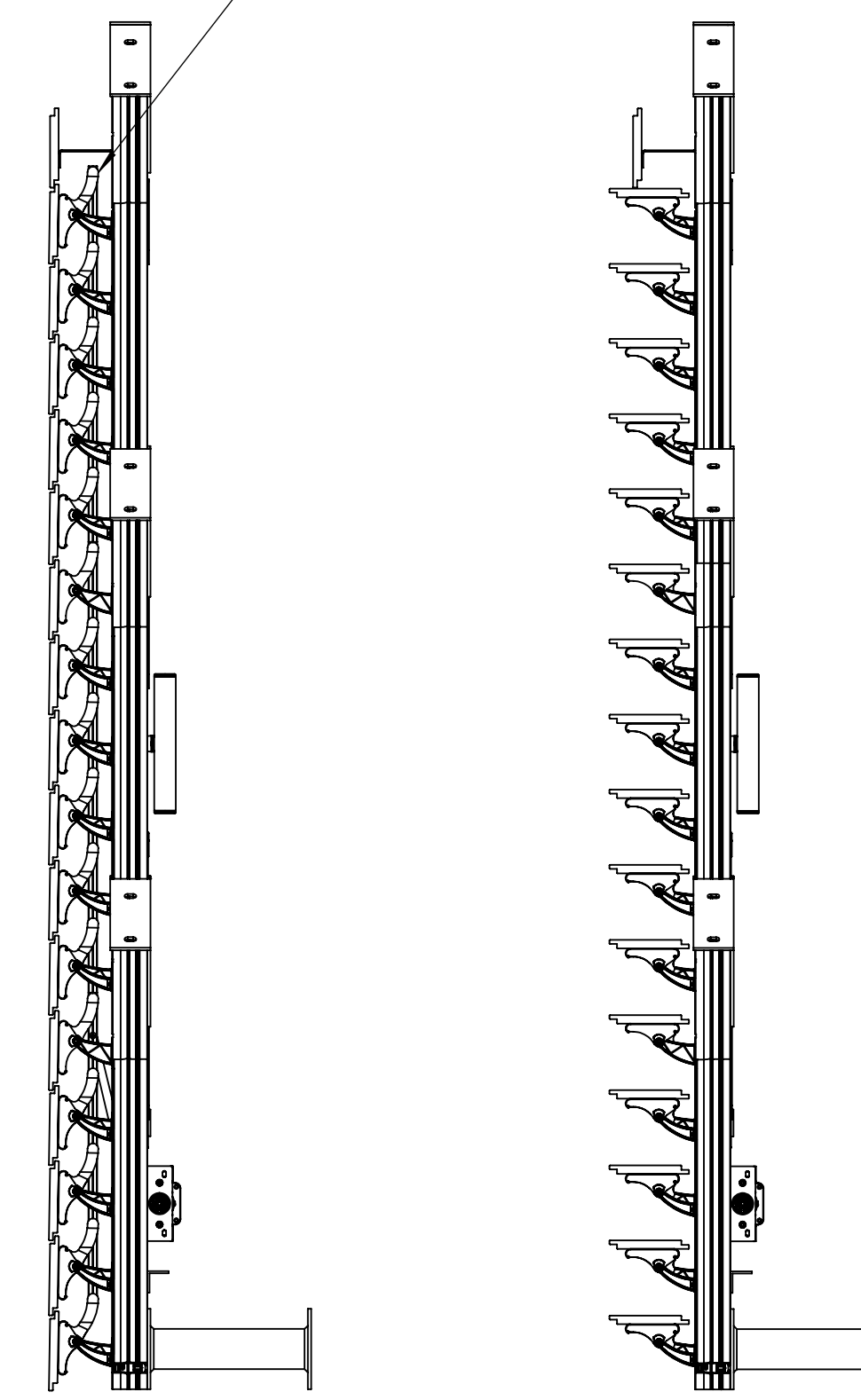


FASTENERS FOR INSTALLATION EXCLUDED (third party)				FASTENERS FOR SYSTEM ASSEMBLY INCLUDED			
MATERIAL							
CUSTOMER		DATE	5-10-2022	RACK ARMS & PARTS		RAL 7016 30% SD	
DESCRIPTION		SCALE	1:10	LOUVERS		Untreated WRC	
PROJECT NR		ENGINEER	JB	PLASTIC PARTS		Black	
Customer IDP		QTY	1	APPROVED		2207063-01-000	
NL 4941 VL		STATE	Approved				
Ropendorkwerf		REV	01				
The Netherlands							

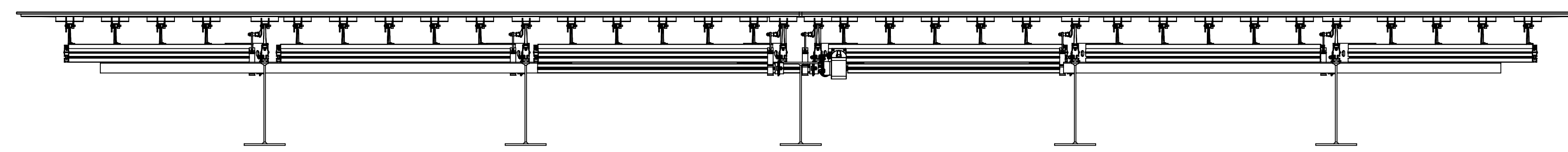




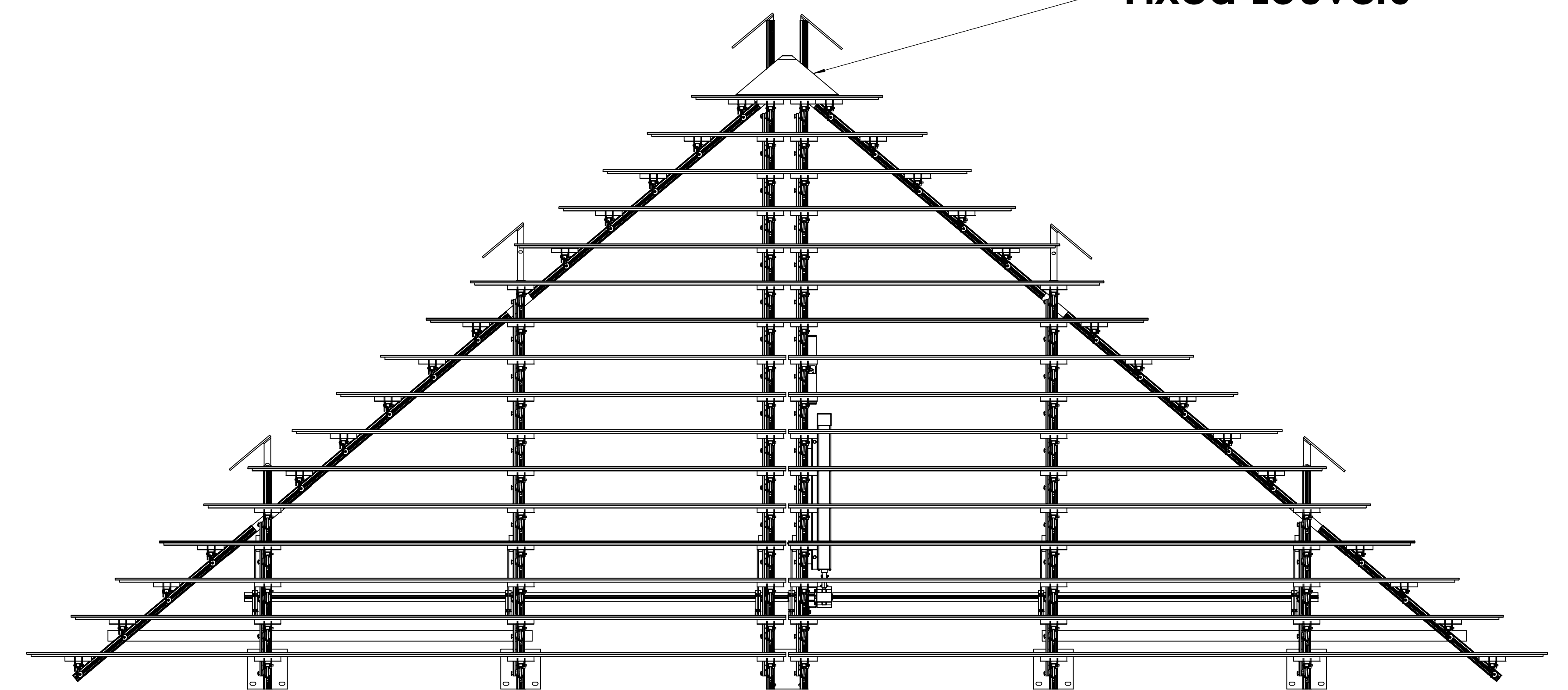
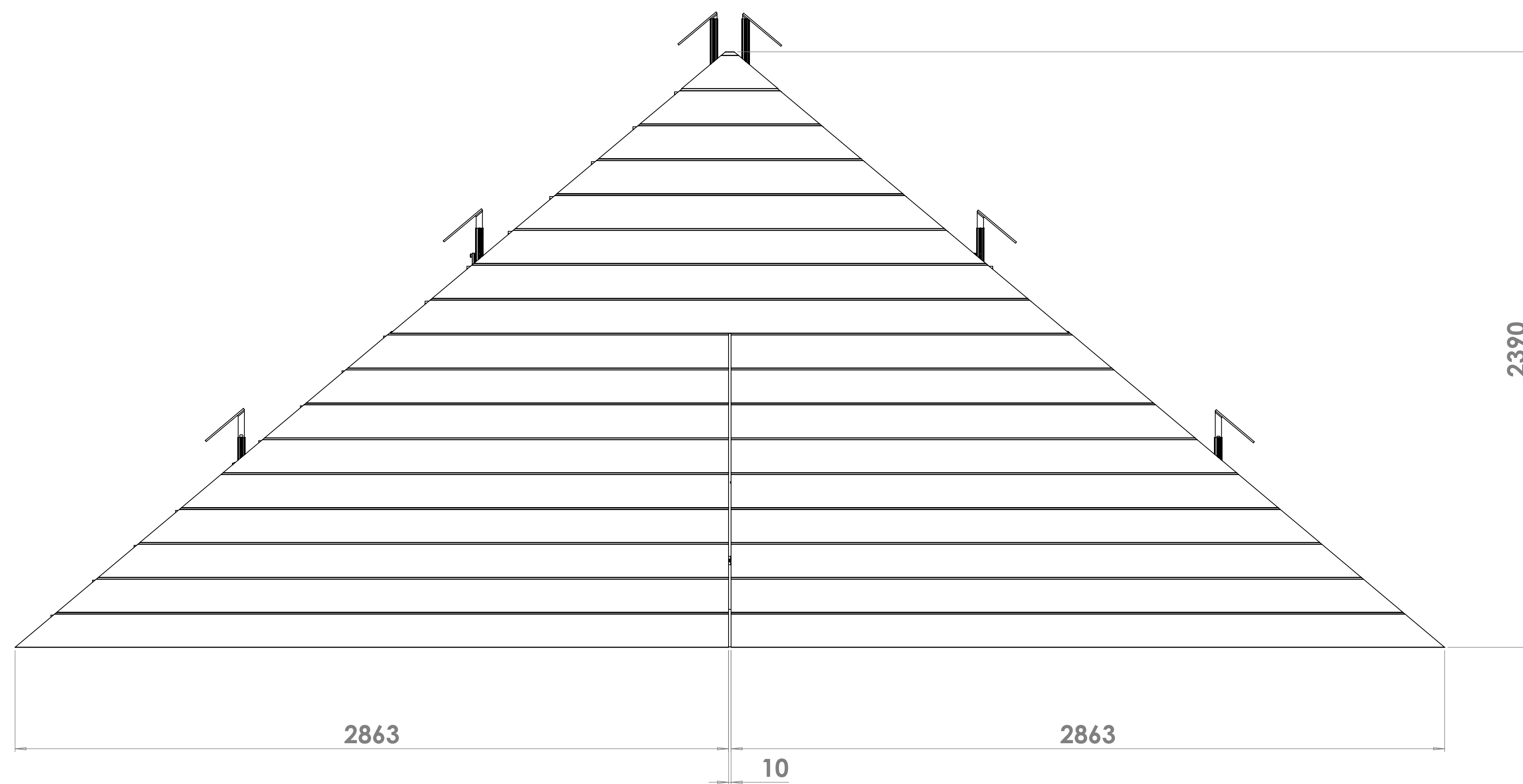
Fixed Louver Bracket



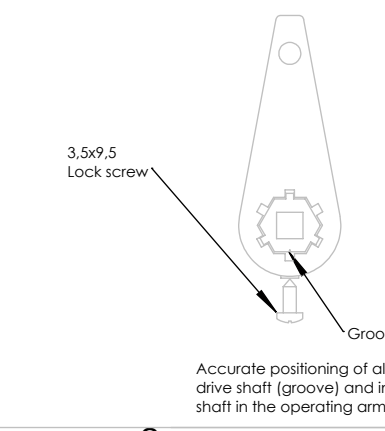
Corner profile 2x For Edge RA support  
Mounting holes drilled on site



Fixed Louvers

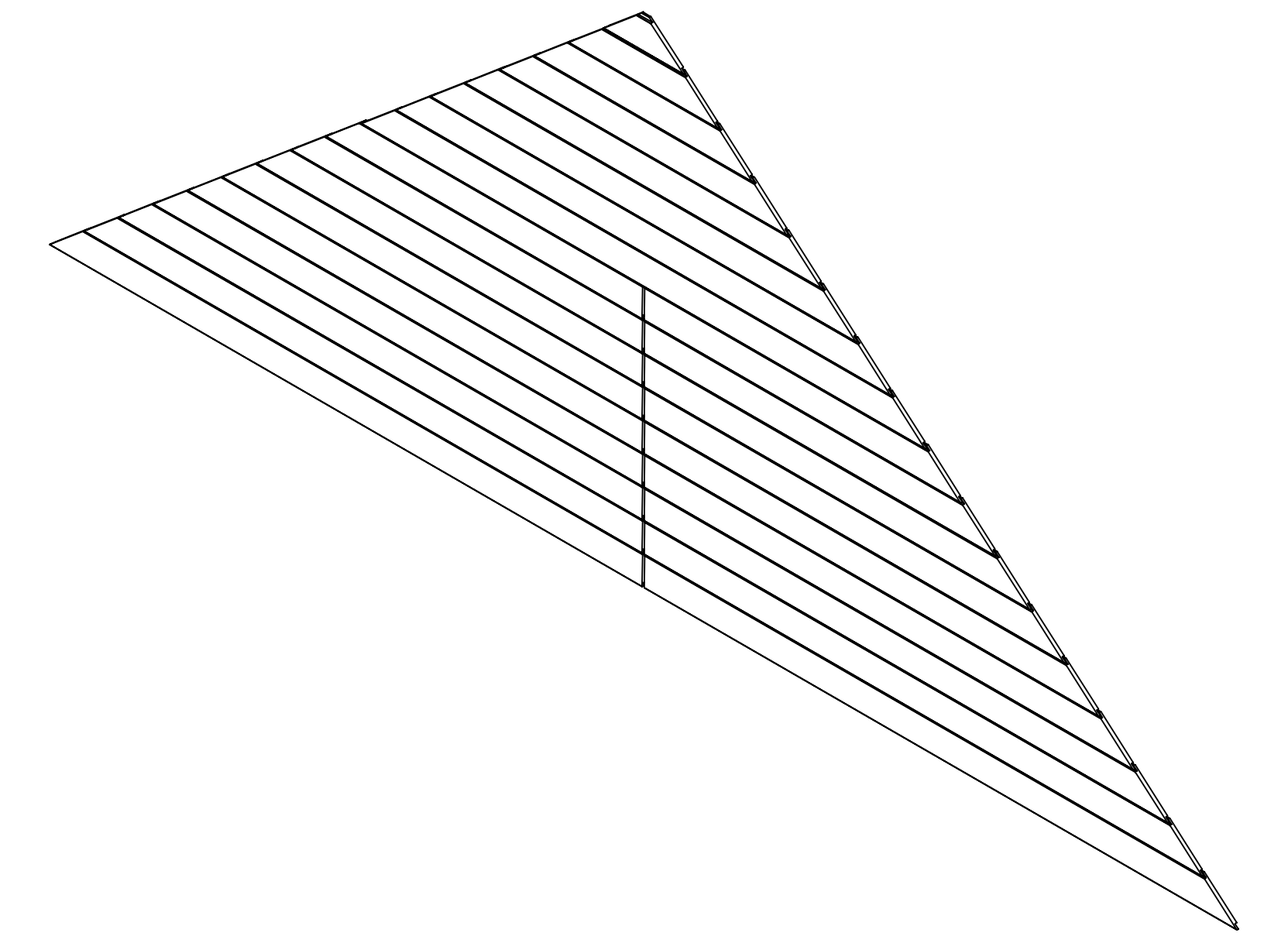
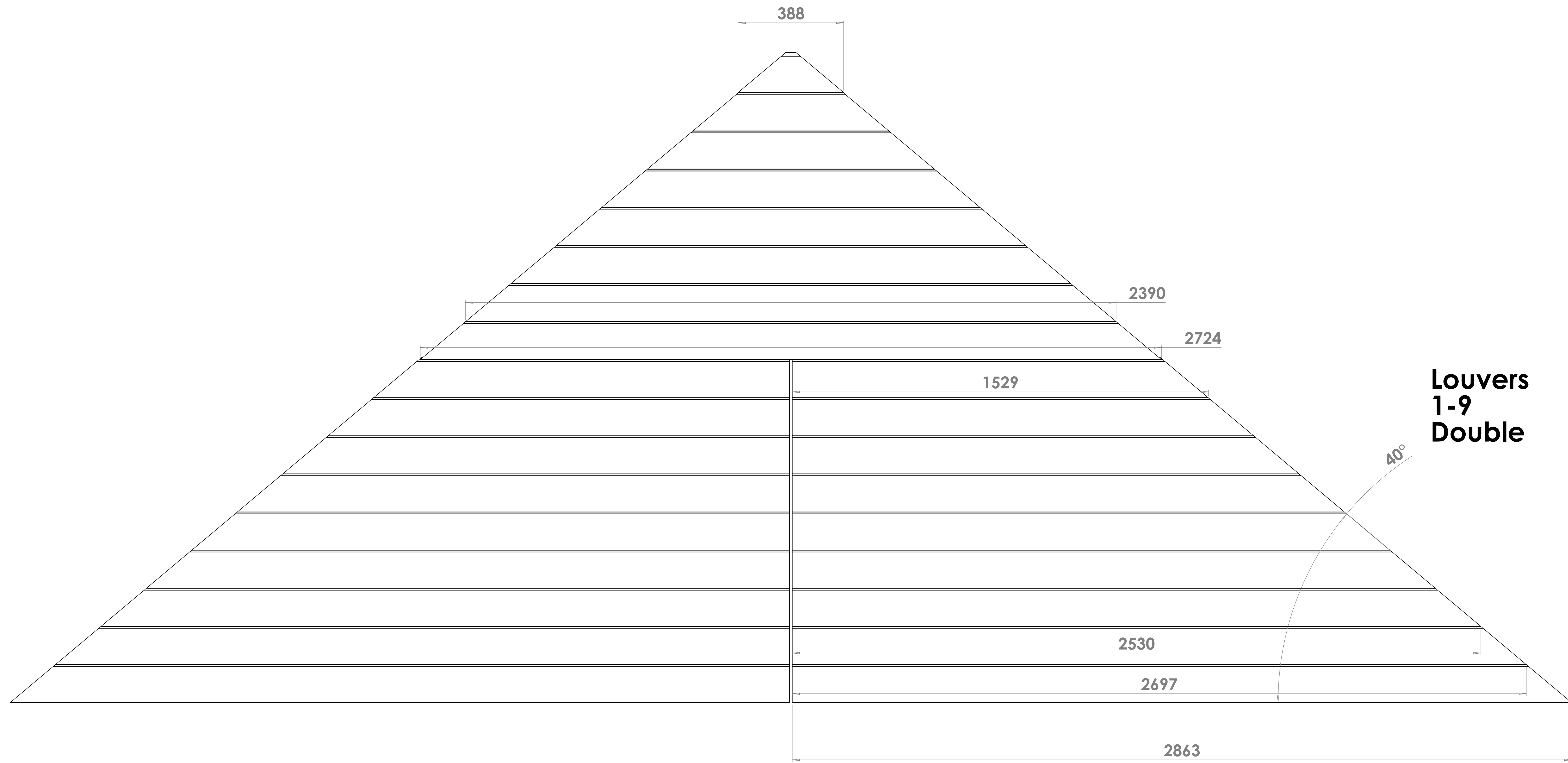


ATTENTION



FASTENERS FOR INSTALLATION EXCLUDED (third party)				FASTENERS FOR SYSTEM ASSEMBLY INCLUDED			
MATERIAL		DATE	5-10-2022	RACK ARMS & PARTS	RAL 7016 30% SD		
CUSTOMER		SCALE	1:12.5	LOUVERS	Untreated WRC		
DESCRIPTION		ENGINEER	JB	PLASTIC PARTS	Black		
PROJECT NR		QTY	1		2207063-01-000		
Location: 65°		STATE	Approved				
NL 4941 V1		REV	01				
Required for:							
Other specifications:							
Material:							
Surface treatment:							
Color:							
Finish:							
Other:							



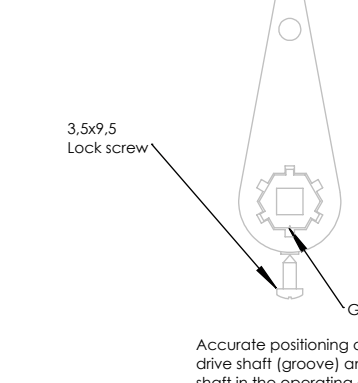


17	17	388	Schuin
16	16	722	Schuin
15	15	1055	Schuin
14	14	1389	Schuin
13	13	1723	Schuin
12	12	2056	Schuin
11	11	2390	Schuin
10	10	2724	Schuin
9	9	1529	Schuin
8	8	1696	Schuin
7	7	1862	Schuin
6	6	2029	Schuin
5	5	2196	Schuin
4	4	2363	Schuin
3	3	2530	Schuin
2	2	2697	Schuin
1	1	2863	Schuin

9	9	1529	Schuin	9	9	1529	Schuin
8	8	1696	Schuin	8	8	1696	Schuin
7	7	1862	Schuin	7	7	1862	Schuin
6	6	2029	Schuin	6	6	2029	Schuin
5	5	2196	Schuin	5	5	2196	Schuin
4	4	2363	Schuin	4	4	2363	Schuin
3	3	2530	Schuin	3	3	2530	Schuin
2	2	2697	Schuin	2	2	2697	Schuin
1	1	2863	Schuin	1	1	2863	Schuin



**ATTENTION**



FASTENERS FOR INSTALLATION EXCLUDED (third party)		FASTENERS FOR SYSTEM ASSEMBLY INCLUDED	
MATERIAL		RACK ARMS & PARTS	RAL 7016 30% SD
CUSTOMER	DATE 5-10-2022	LOUVERS	Untreated WRC
DESCRIPTION	SCALE 1:7.5	PLASTIC PARTS	Black
PROJECT NR	ENGINEER JB	STATE	2207063-01-000
Quantity of 1	QTY 1	REV 01	4.4 A0
Approved	REV 01		

