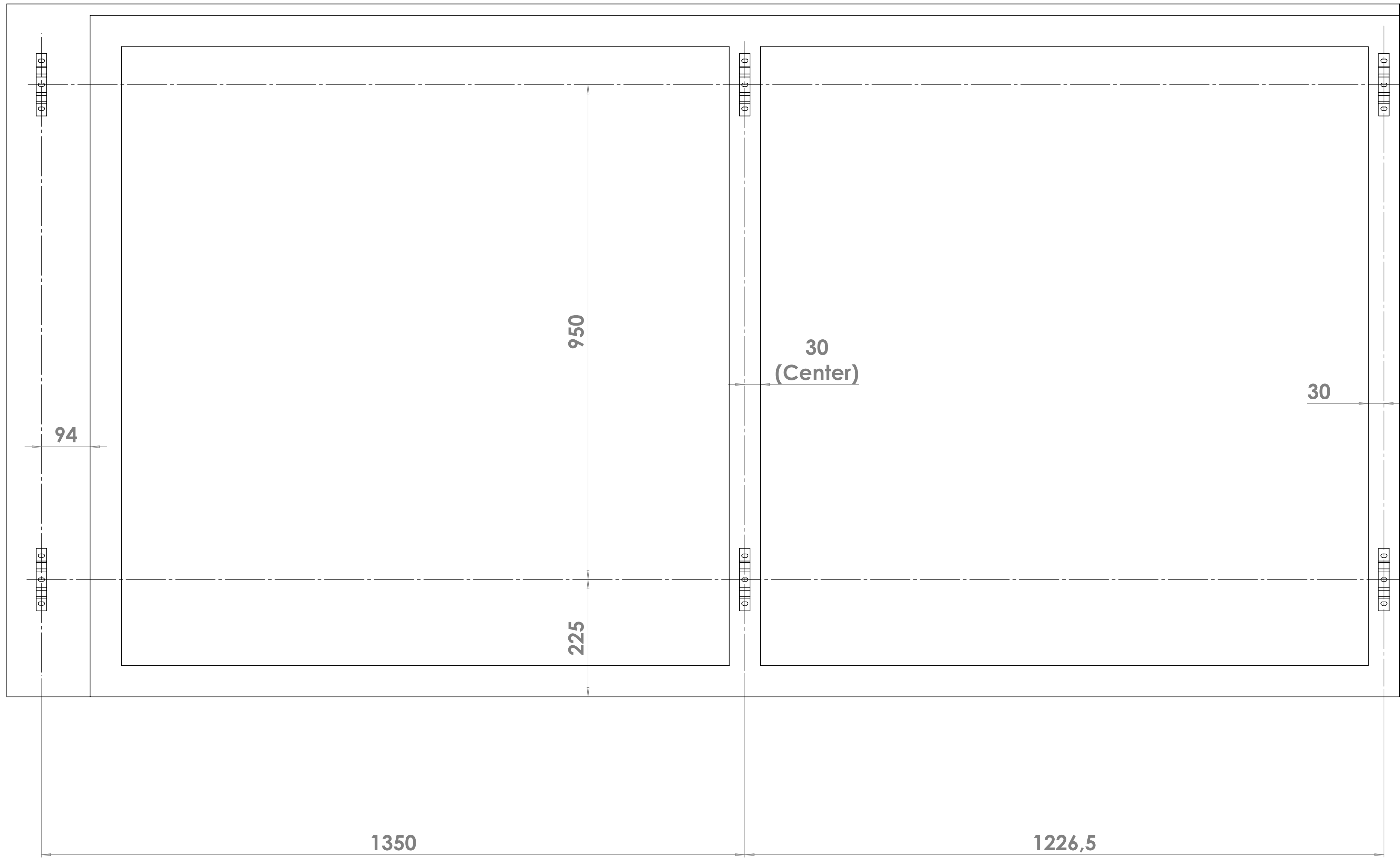
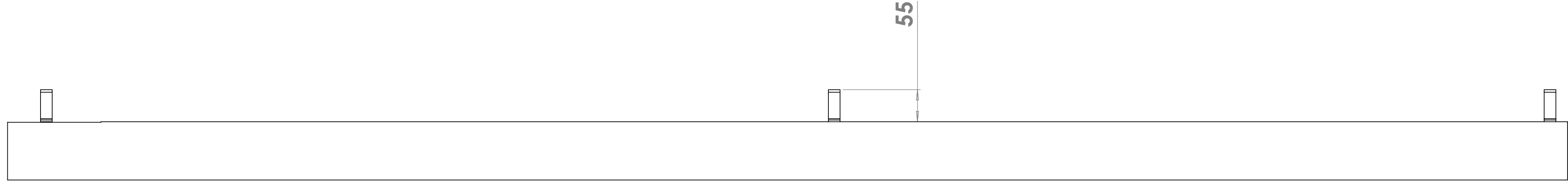
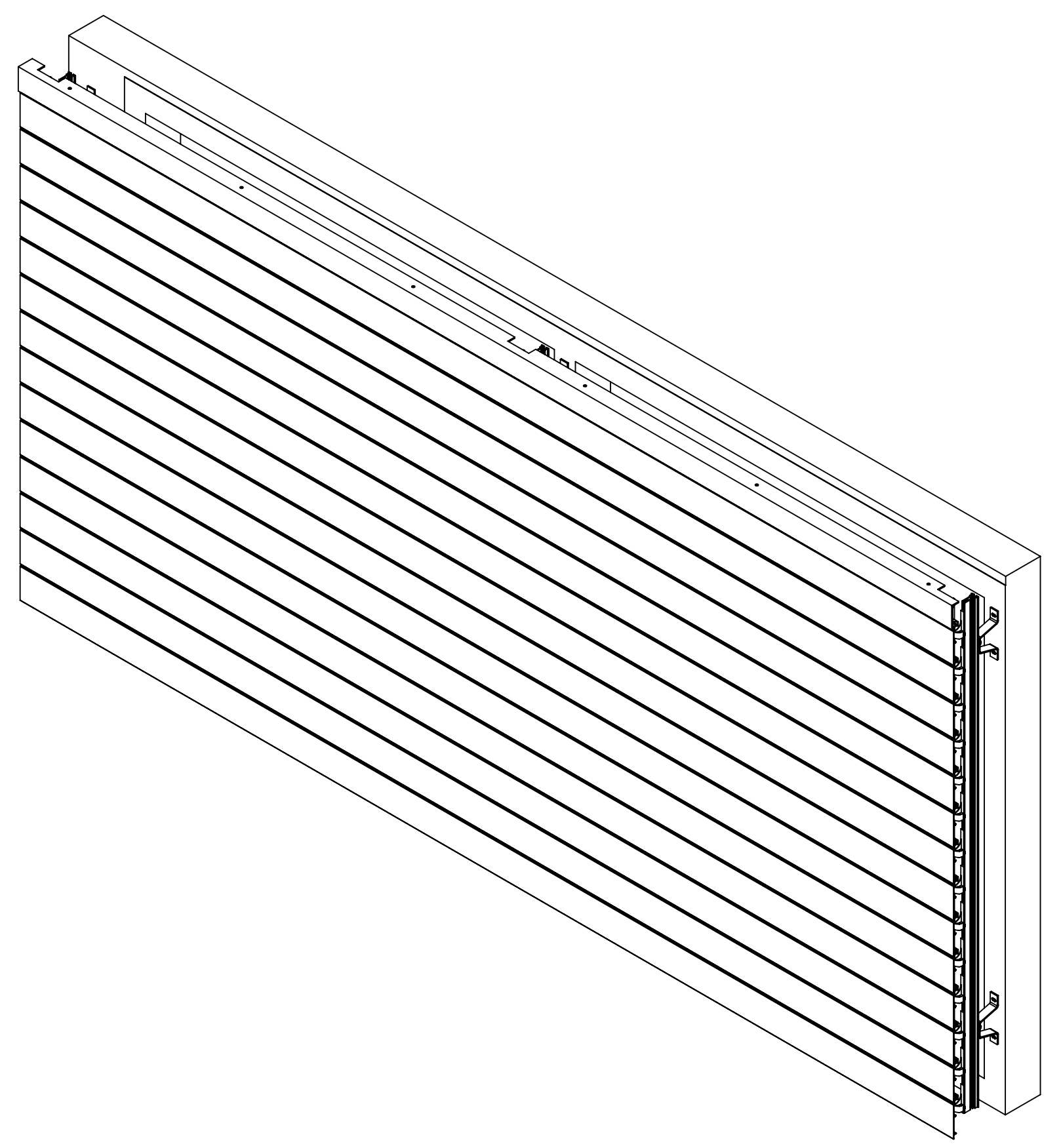


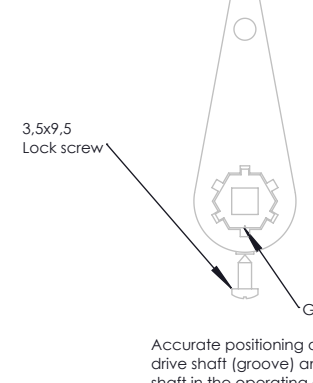
Window Frame



Window Frame with Brackets

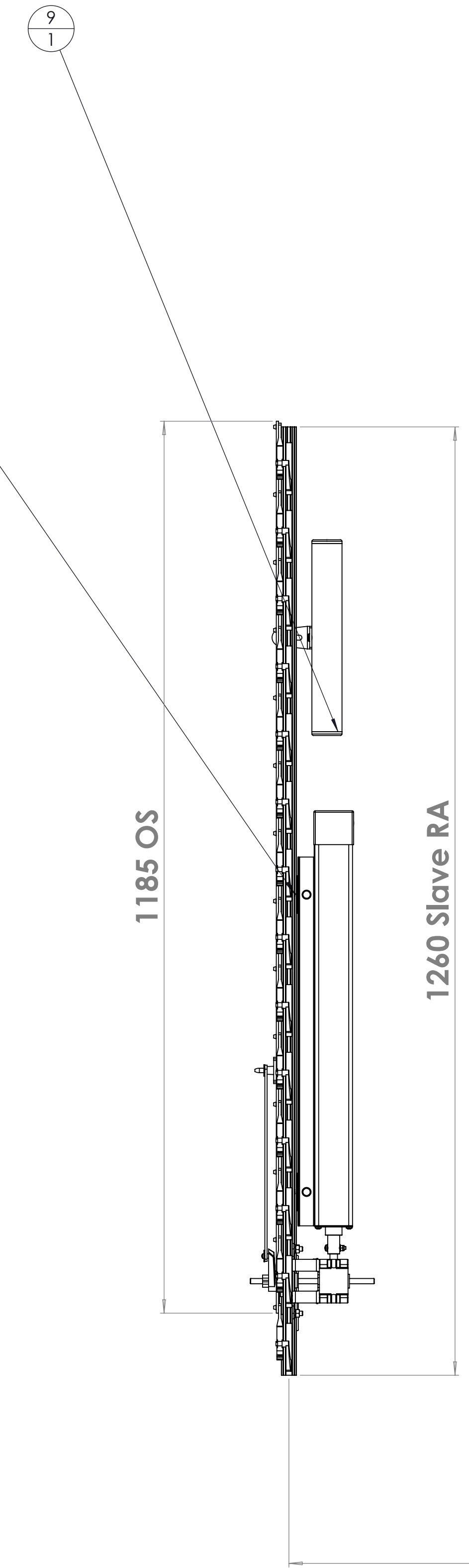
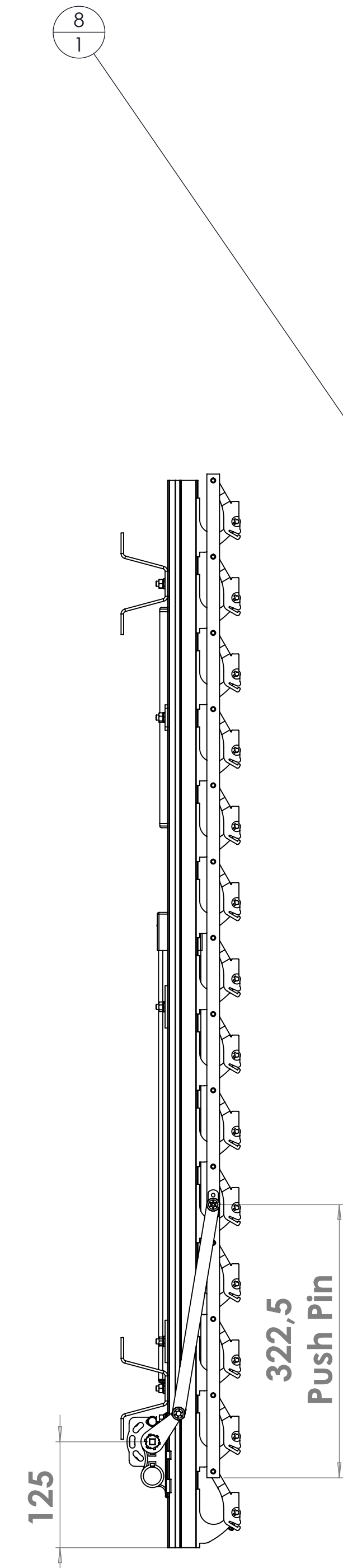


ATTENTION

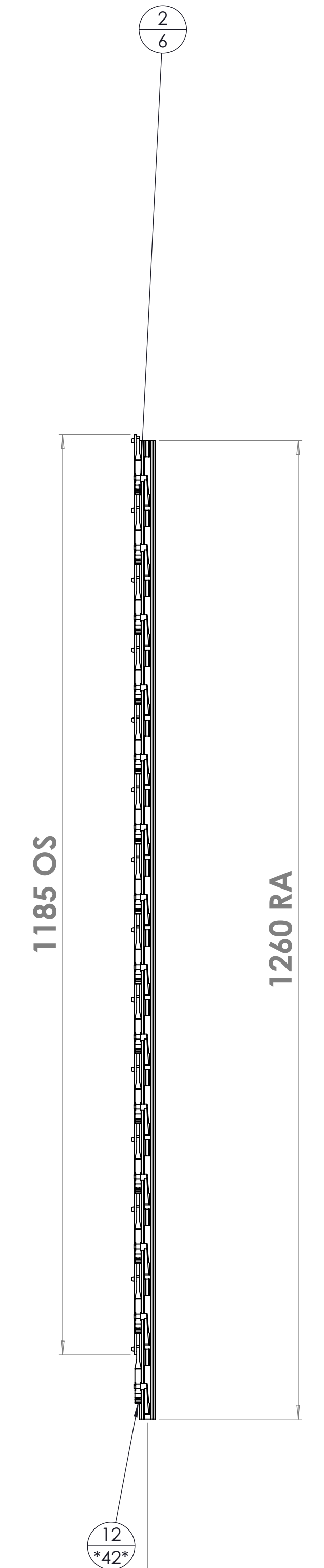


FASTENERS FOR INSTALLATION EXCLUDED (third party)			FASTENERS FOR SYSTEM ASSEMBLY INCLUDED		
MATERIAL			RACK ARMS & PARTS	RAL 7021 F.Sfr SD	
CUSTOMER	DATE	11-6-2021	LOUVERS	RAL 7021 F.Sfr SD	
DESCRIPTION	SCALE	1:5	PLASTIC PARTS	Black	
PROJECT NR	ENGINEER	SD			
2105101	QTY	1			
Customer's logo	STATE	Approved			
NL 4941 V1	REV	01			
Approved by:					
Signature					

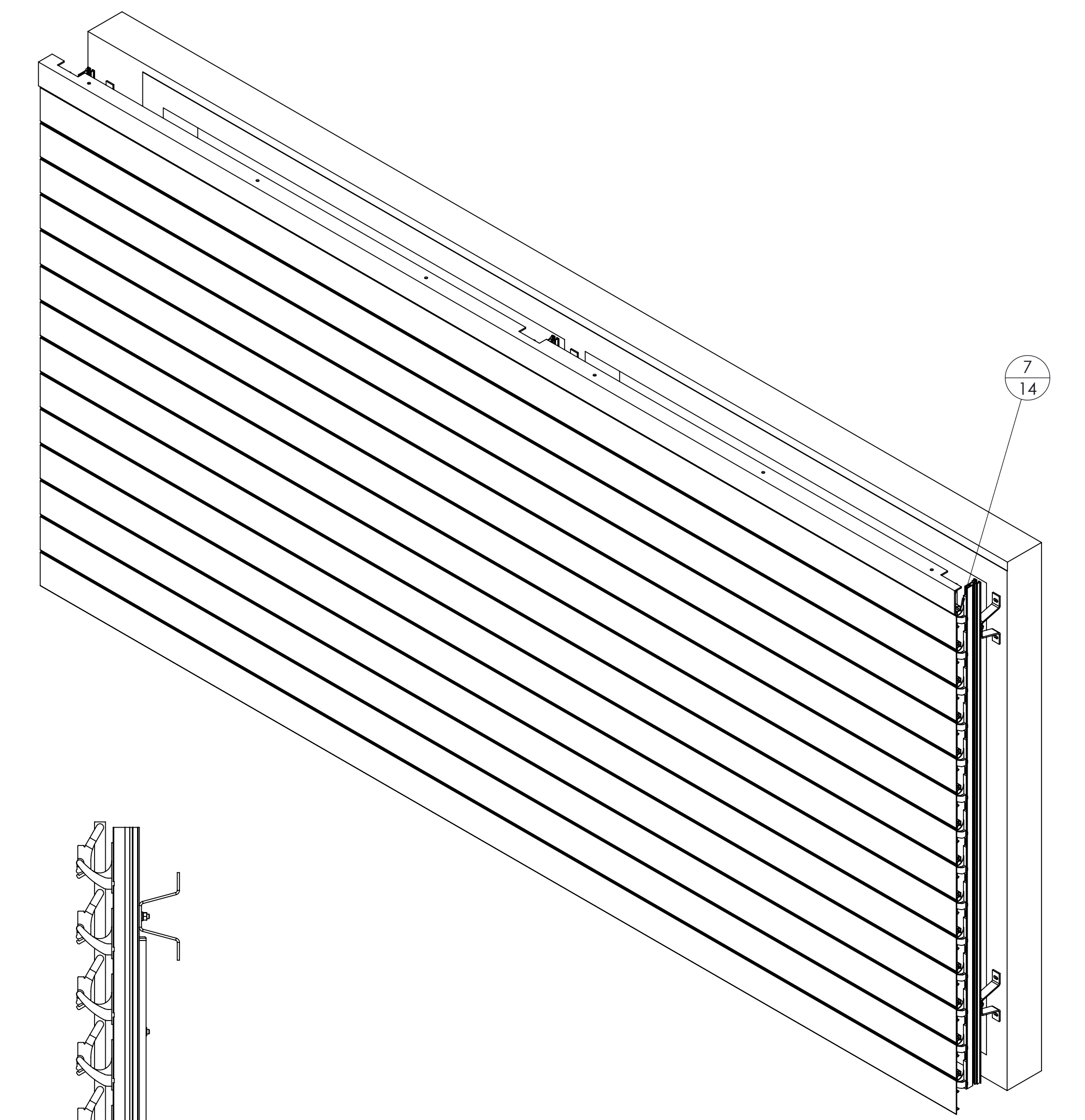
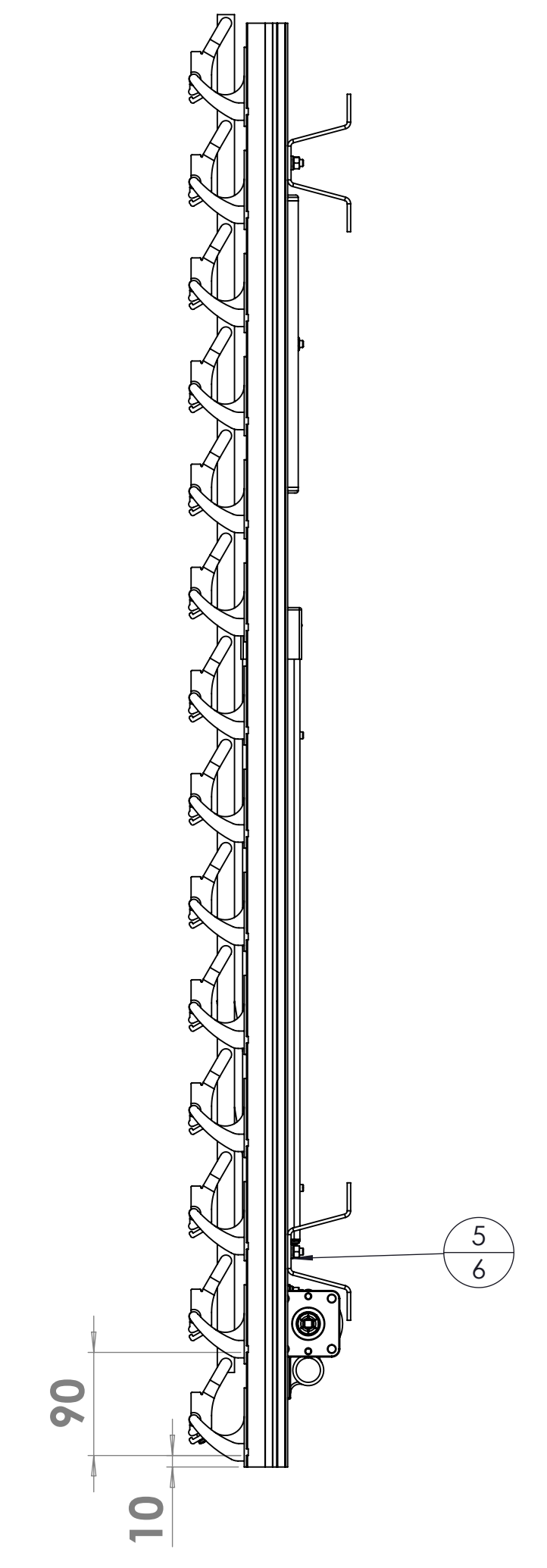
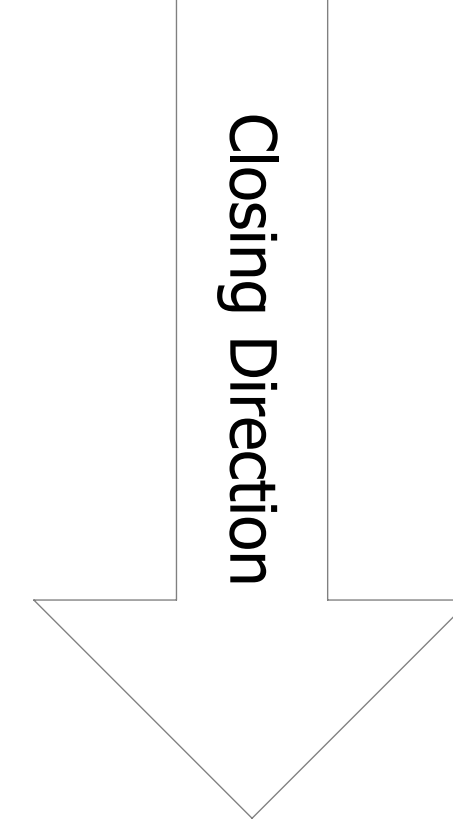
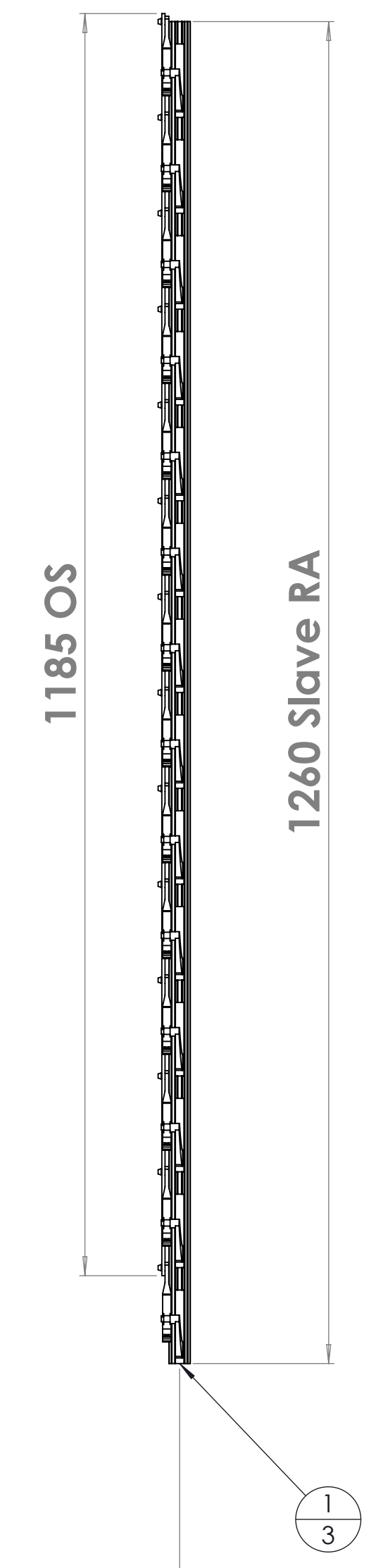




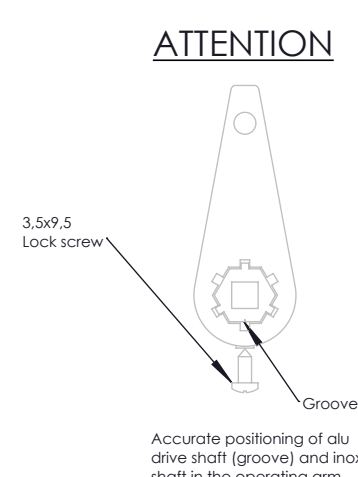
1350



1227



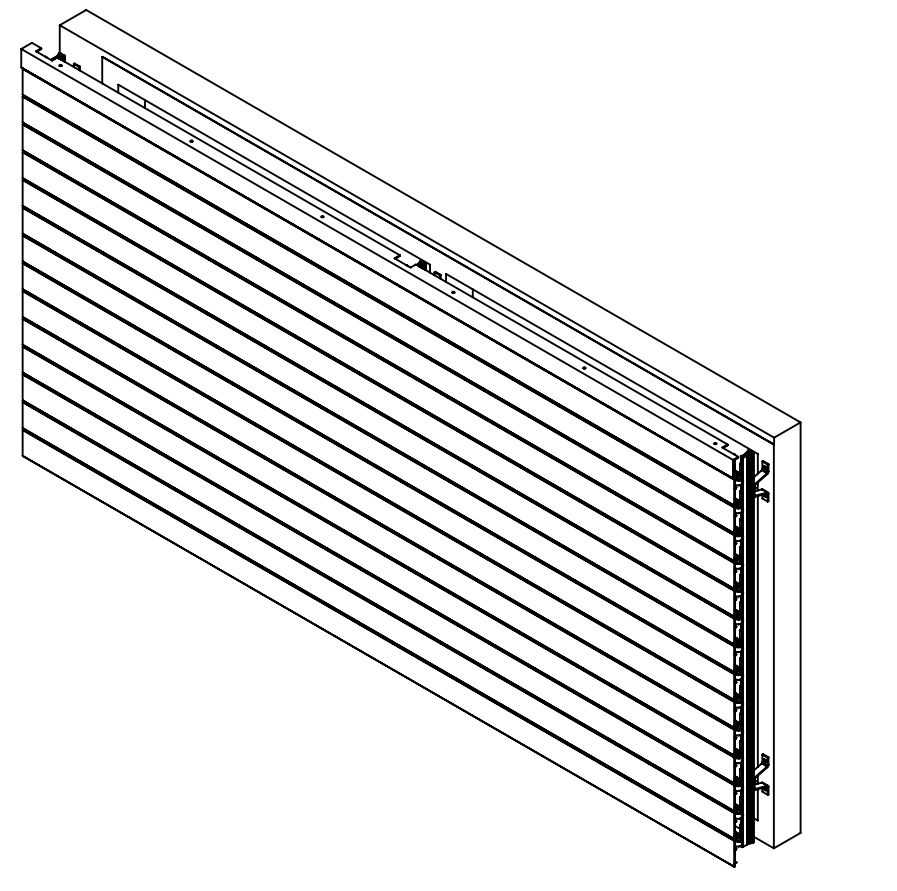
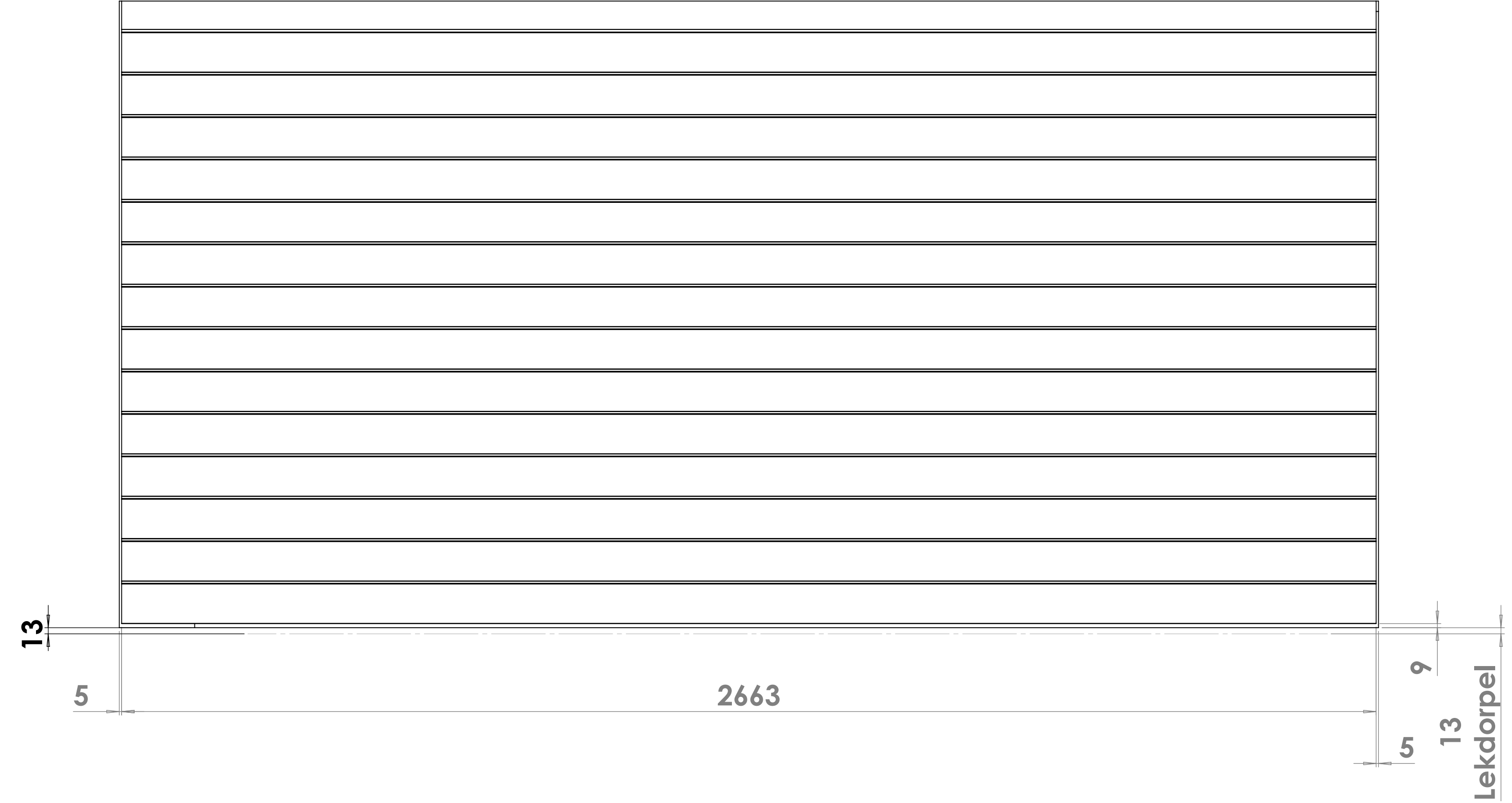
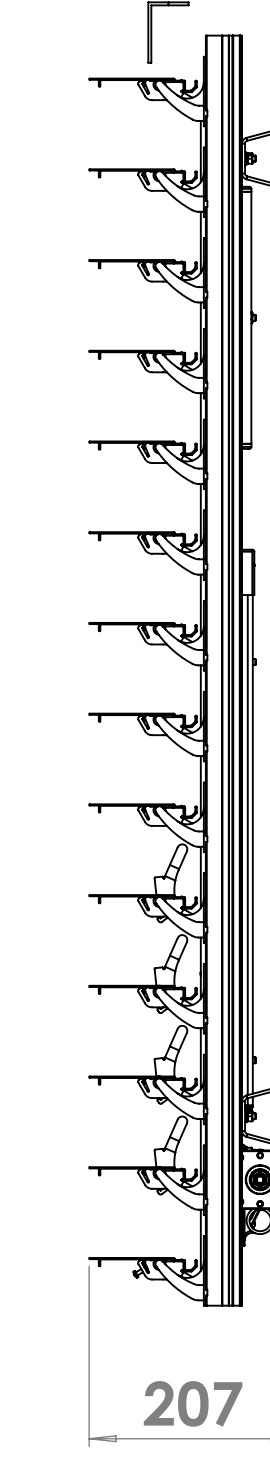
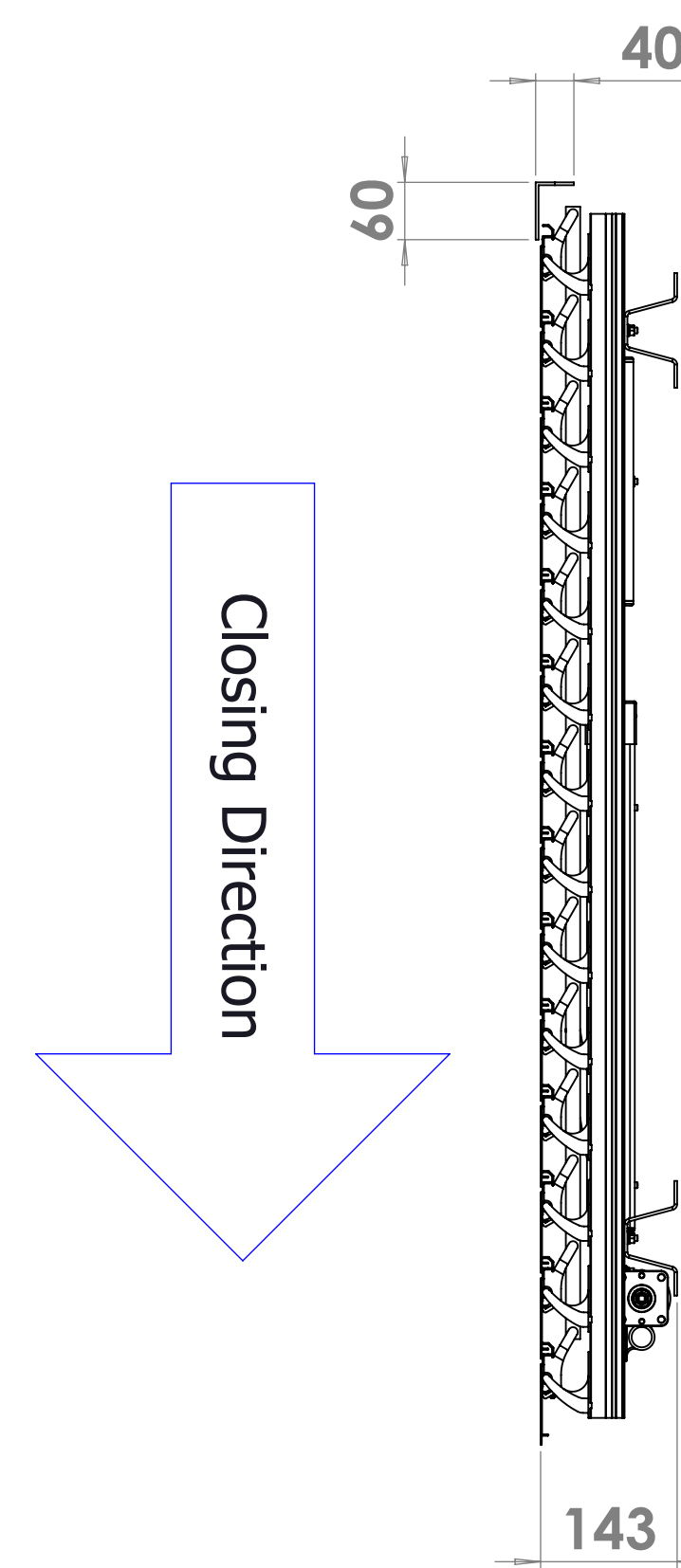
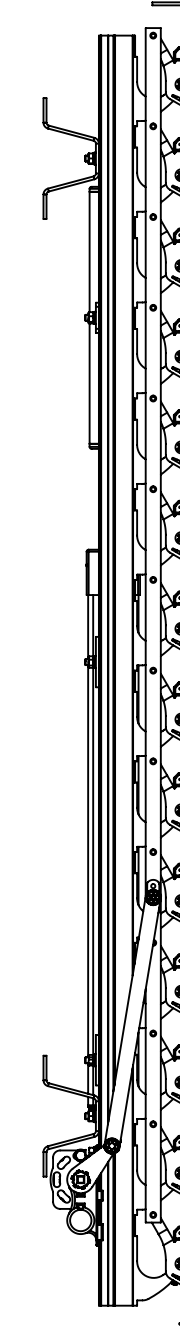
ITEM NO.	QTY.	SW-File Name (File Name)	DESCRIPTION	Comment 2
1	3	09 035 AS 96E Slave	Standard Slave Rack Arm, 35 mm, Pitch 90 (10) Assembled	L=1260; Pitch 90 (10)
2	6	58 623	Omega H-55, 29x54x31x54x29 x 3 mm, Ig=20mm	L=20
3	6	911	DIN 6798-A Lock washer M6	
4	6	910	DIN 934 Hexagon Nut M6	
5	6	908	DIN 125-1A Plain Washer M6	
6	6	901	DIN 933 Hexagon Head Bolt M6x16	
7	14	2105101-B1-401	107E Louver	L=2663
8	1	58 957 99 11	Exterior Motor kit for 7:1 Hard Wired (incl. Motorhood L=545)	L=545 (Motorhood)
9	1	58 988	Stak/Stas Protecting Kit (incl. Tube, Plugs & Bracket) (Ig=250mm)	
10	1	28 102	Somfy LS40 VULCAN Motor 13/10/230V, 3m white cable	
11	1	28 933	Hirschmann Set STAK/STAS-3 (Stak/Stas/clamp)	
12	*42*	939	DIN 7981 Panhead screw 3,5 x 13	
13	1	2105101-B1-301	Angle Profile Top	L=2663 ⁰¹



FASTENERS FOR INSTALLATION EXCLUDED (third party) FASTENERS FOR SYSTEM ASSEMBLY INCLUDED

CUSTOMER	DATE	11-6-2021	RACK ARMS & PARTS	RAL 7021 F.Sfr SD
DESCRIPTION	SCALE	1:5	LOUVERS	RAL 7021 F.Sfr SD
PROJECT NR	ENGINEER	SD	PLASTIC PARTS	Black
DATE	QTY	1	STATE	Ext
REV	REV	01	DATE	2105101-B1-000

UNIQUE LOUVERS



ATTENTION

FASTENERS FOR INSTALLATION EXCLUDED (third party)				FASTENERS FOR SYSTEM ASSEMBLY INCLUDED			
MATERIAL				RACK ARMS & PARTS			
CUSTOMER		DATE	11-6-2021	LOUVERS			
DESCRIPTION		SCALE	1:7.5	PLASTIC PARTS			
PROJECT NR	2105101	ENGINEER	SD				
Customer's ref.		QTY	1				
NL 4941 V1		STATE	Approved	107E	Ext	2105101-B1-000	34 A0
RogierDorckx		REV	01				

SUNSHIELD
UNIQUE LOUVERS

12

11

10

9

8

7

6

5

4

3

2

1

H

G

F

E

D

C

B

A

H

G

F

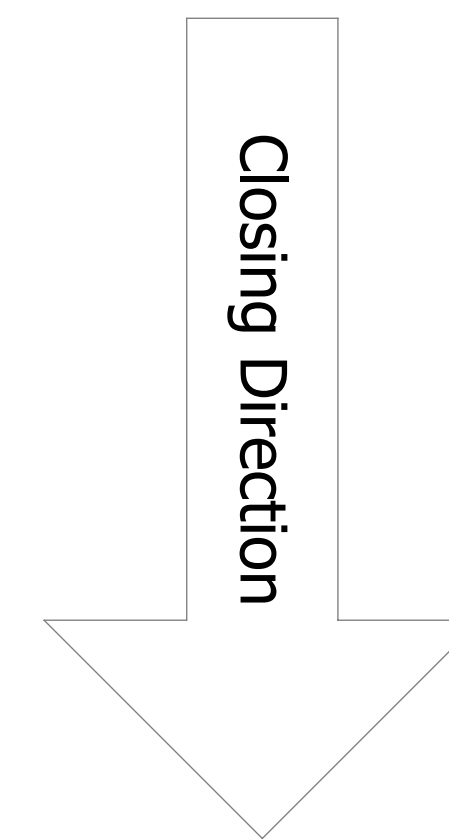
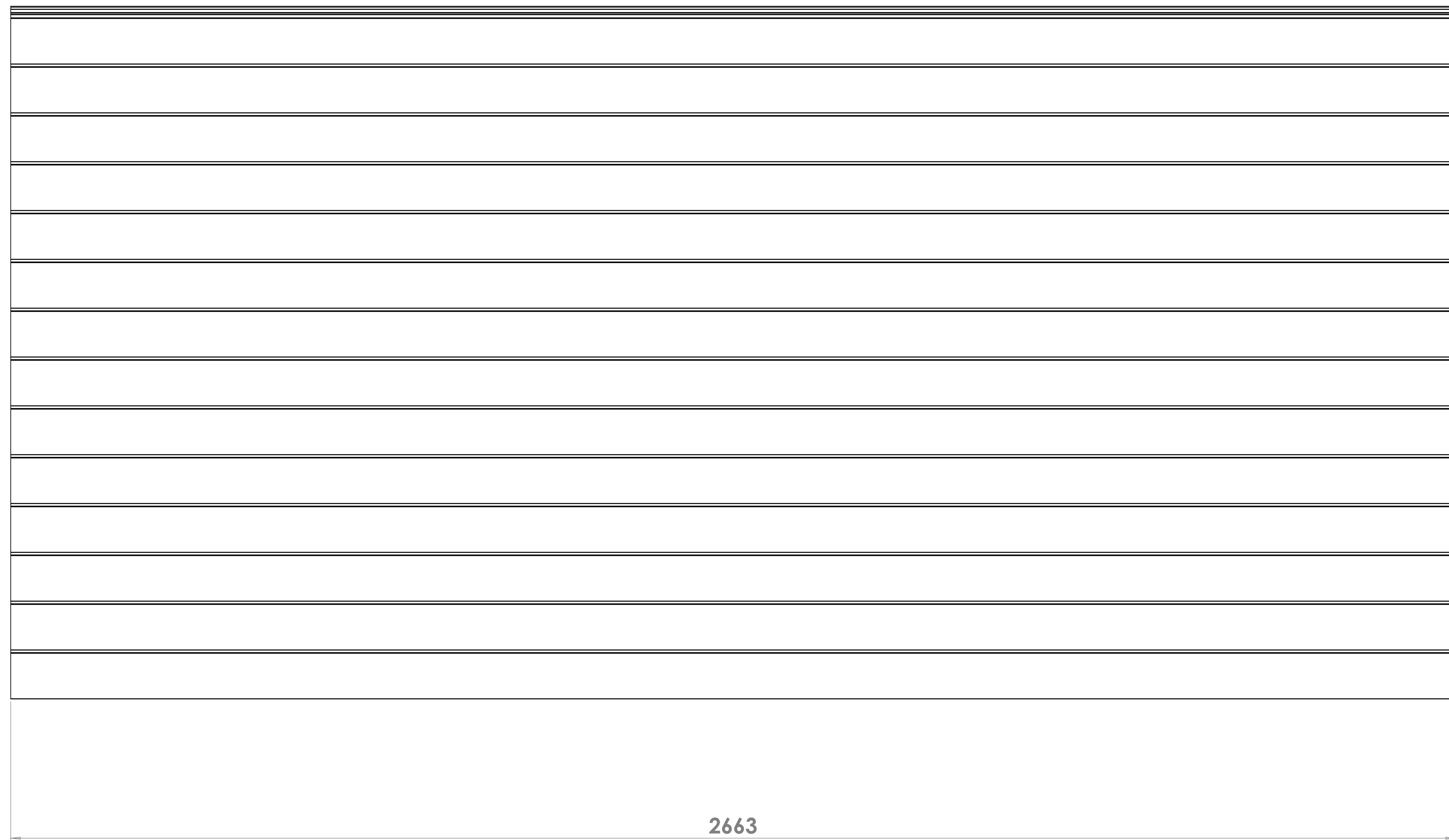
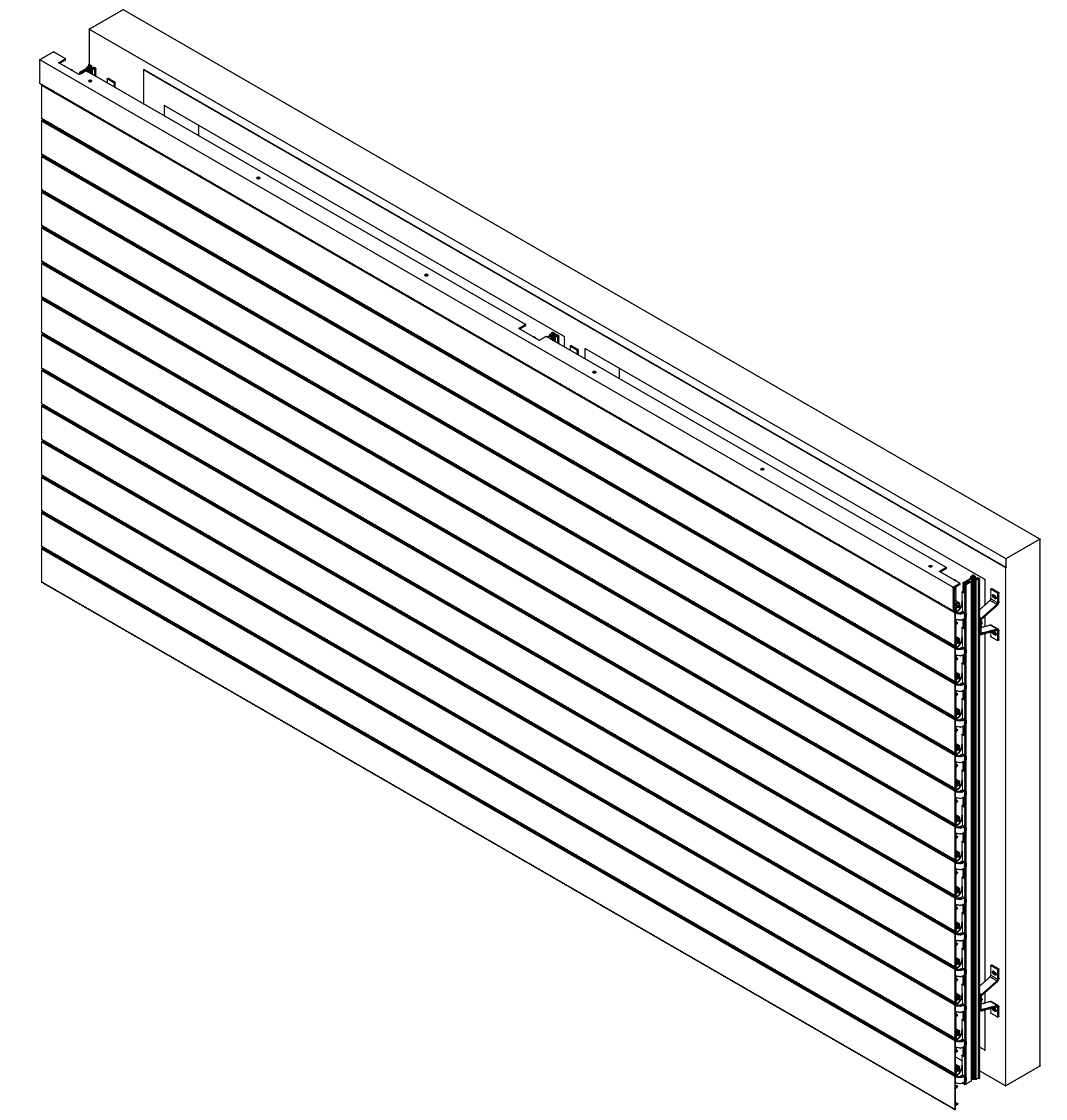
E

D

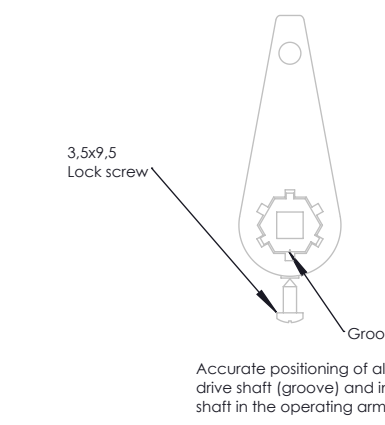
C

B

A



ATTENTION



FASTENERS FOR INSTALLATION EXCLUDED (third party)				FASTENERS FOR SYSTEM ASSEMBLY INCLUDED			
MATERIAL				RACK ARMS & PARTS			
CUSTOMER	DATE	11-6-2021		LOUVERS			
DESCRIPTION	SCALE	1:5		PLASTIC PARTS			
PROJECT NR	ENGINEER	SD					
2105101							
QUANTITY	STATE	Approved					
1							
REV	01						



12

11

10

9

8

7

6

5

4

3

2

1