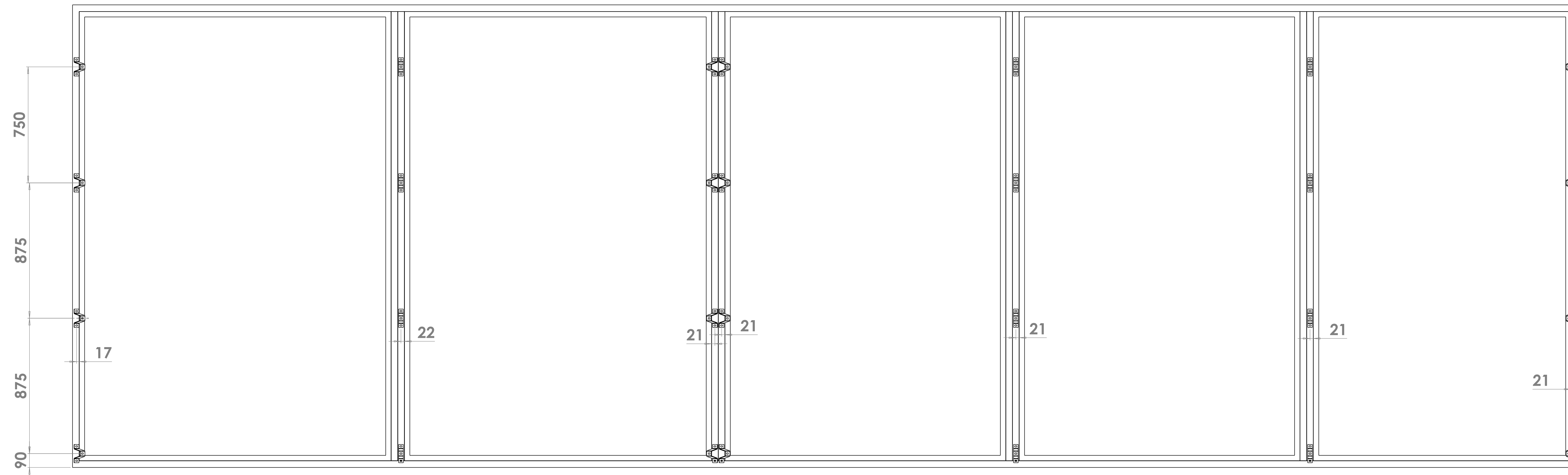
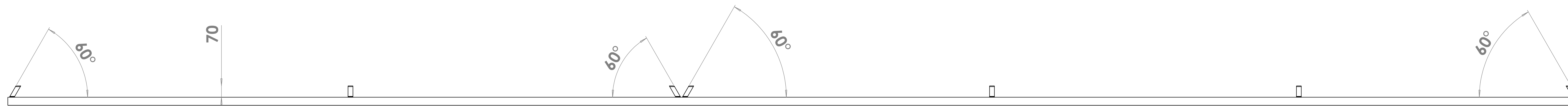


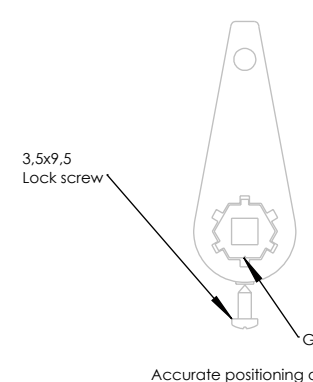
WINDOW FRAME



WINDOW FRAME (WITH BRACKETS)



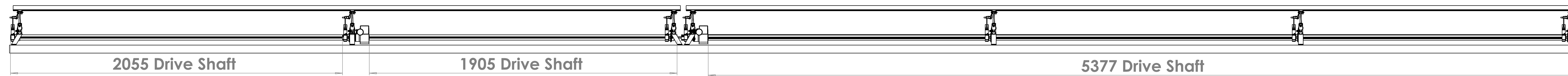
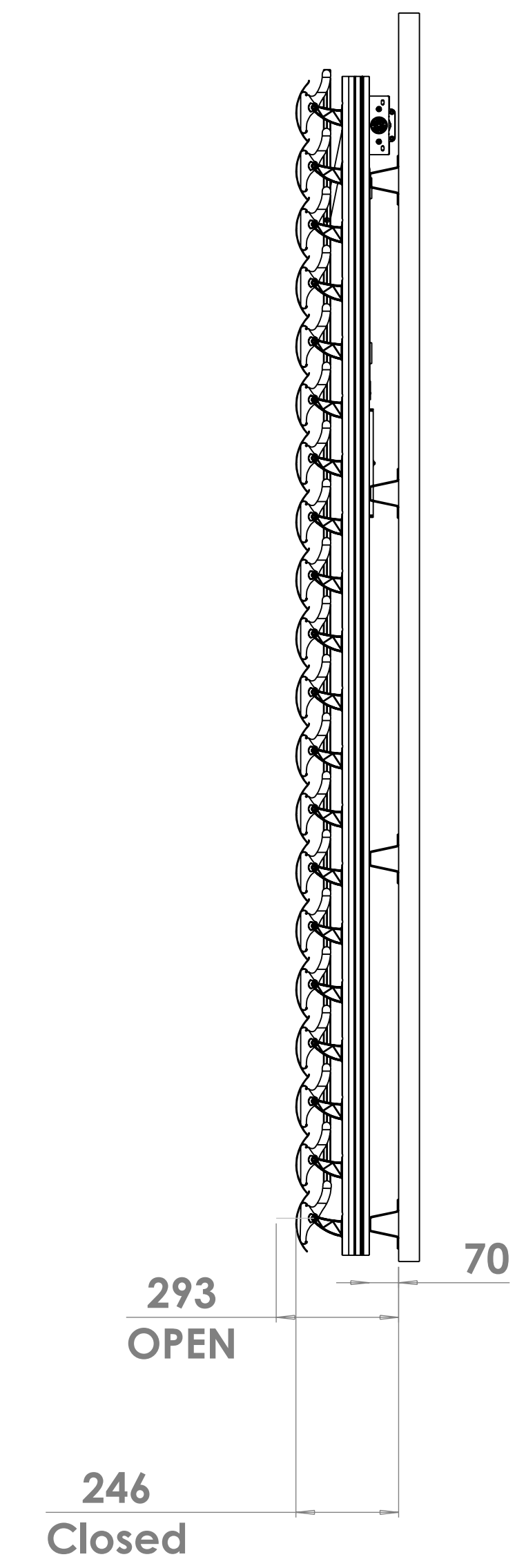
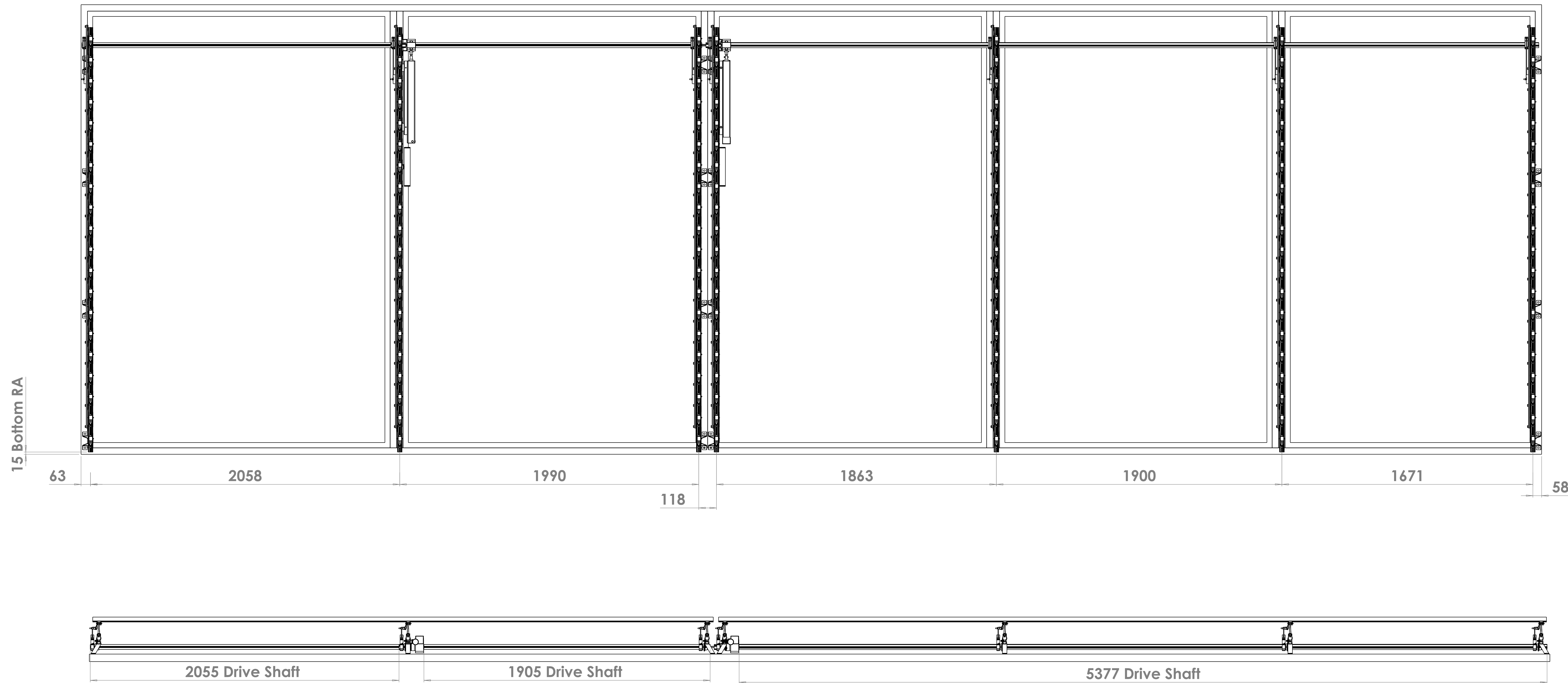
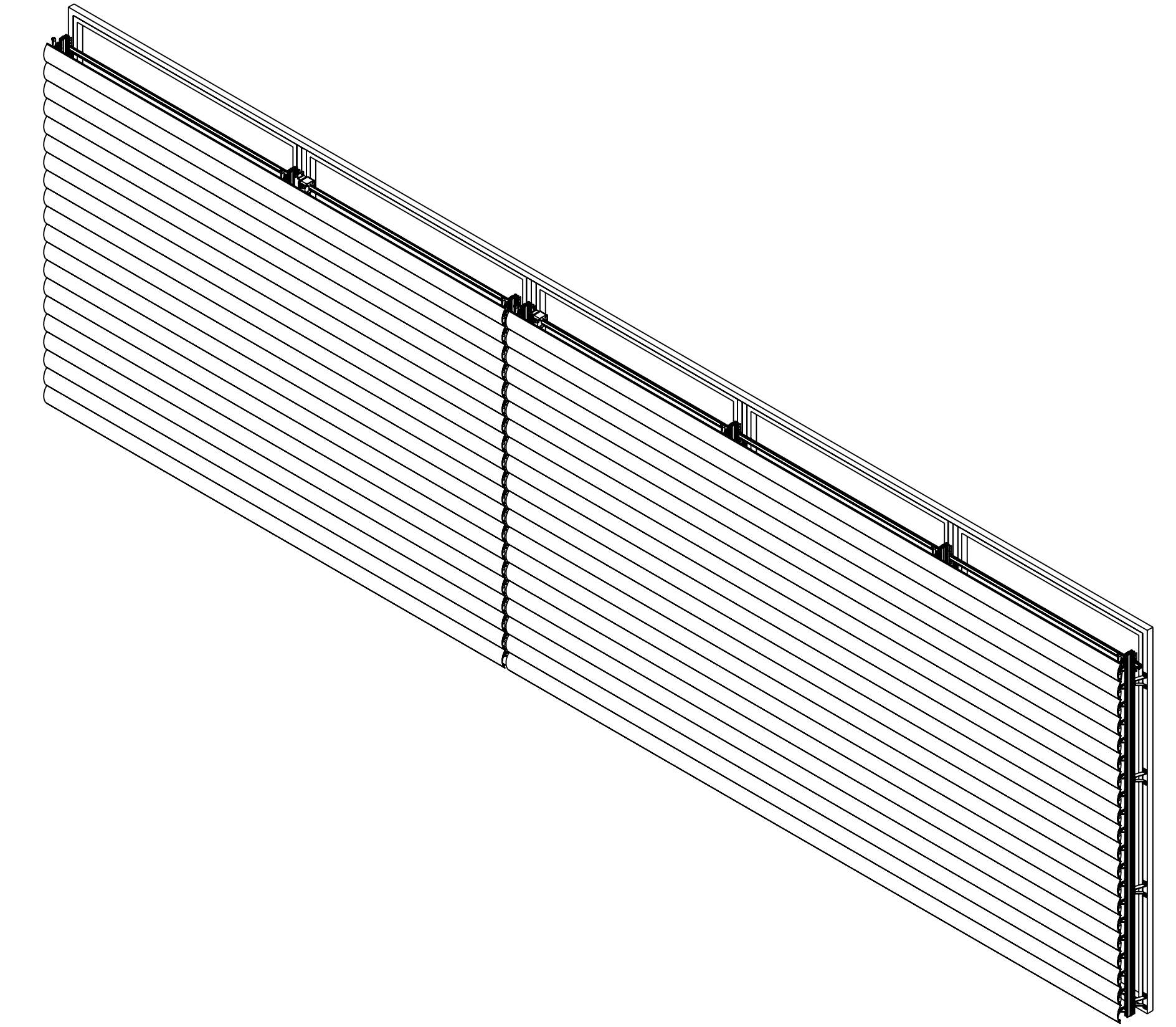
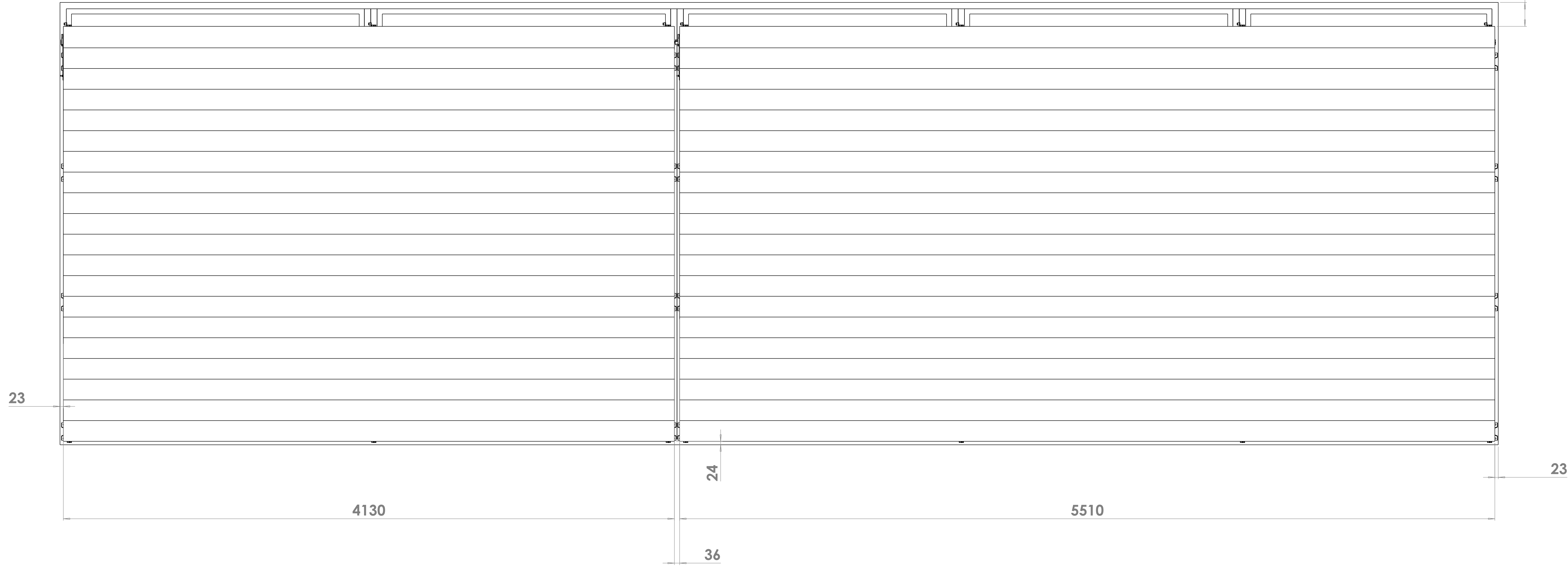
ATTENTION



3.5x3 LOCK ARM

FASTENERS FOR INSTALLATION EXCLUDED (third party)				FASTENERS FOR SYSTEM ASSEMBLY INCLUDED			
MATERIAL				RACK ARMS & PARTS			
CUSTOMER	DATE	21-3-2023		LOUVERS			
DESCRIPTION	SCALE	1:12.5		PLASTIC PARTS			
PROJECT NR	ENGINEER	JB					
2208056	QTY	1		Ext.			
2208056-01-000	STATE	Approved		2208056-01-000			
NI 4941 V1	REV	01					
Approved by:							
Checked by:							
Drawn by:							
Reviewed by:							
Scale:							
Material:							
Color:							
Finish:							
Notes:							

SUNSHIELD
UNIQUE LOUVERS



ATTENTION

3.5x3 Lock screw

Accurate positioning of the drive shaft (positioning reference point in the operating position)

FASTENERS FOR INSTALLATION EXCLUDED (third party)		FASTENERS FOR SYSTEM ASSEMBLY INCLUDED	
MATERIAL		RACK ARMS & PARTS	RAL 7016 30% SD
CUSTOMER	DATE 21-3-2023	LOUVERS	RAL 7016 30% SD
DESCRIPTION	SCALE 1:12.5	PLASTIC PARTS	Black
PROJECT NR 2208056	ENGINEER JB	QTY 1	Ext. 2208056-01-000
Customer's ID NL 4941 V1	STATE Approved	REV 01	3/4 A0
Room/Dormitory/Shop			
for use in the interior without further consent of the manufacturer			

SUNSHIELD
UNIQUE LOUVERS

