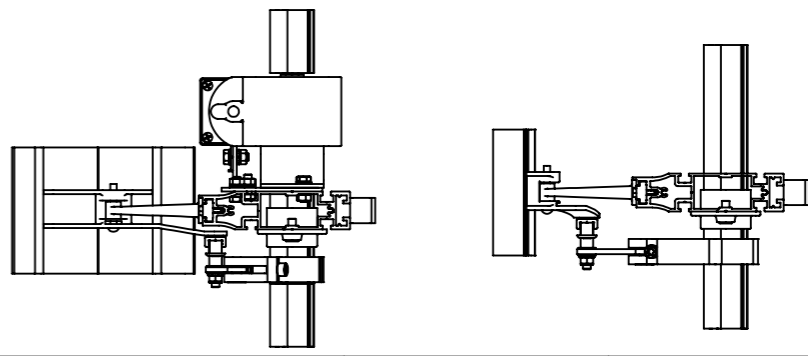
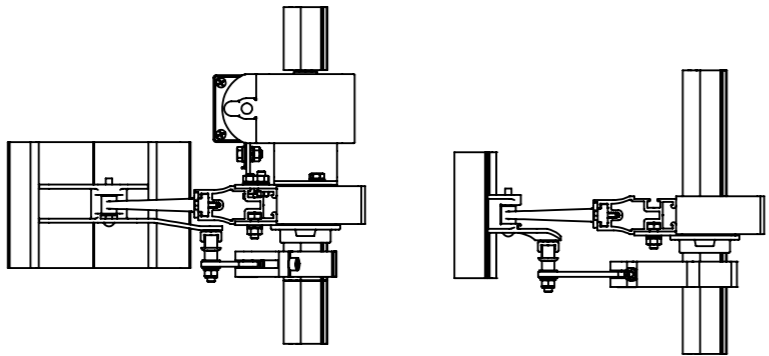
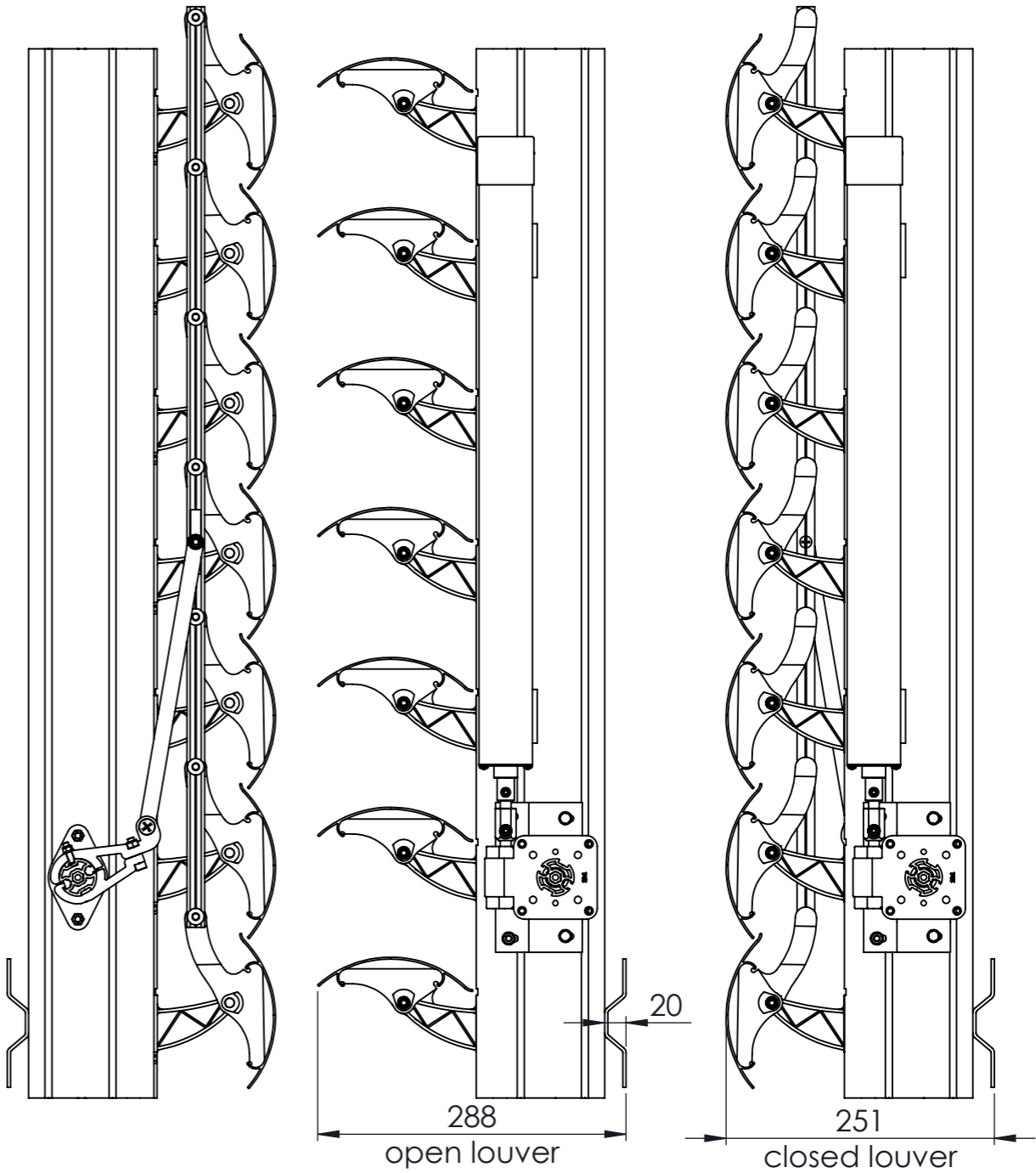
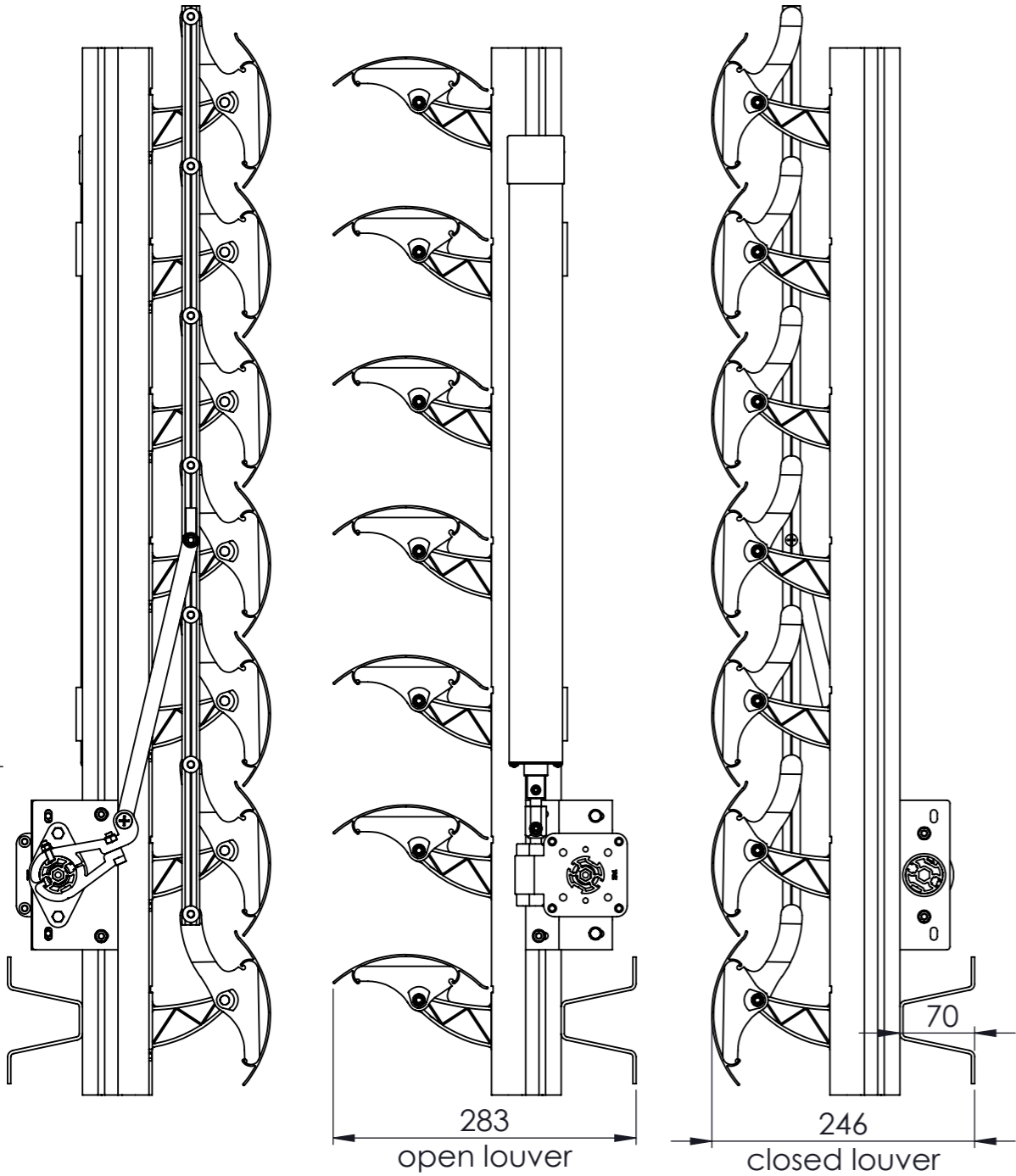


145E scale 1:6

Rack arm 65mm

Rack arm 120mm



©This drawing is the sole property of Sunshield and shall not be copied, duplicated, transmitted or used in any manner without written consent of Sunshield

[www.sunshieldglobal.com](http://www.sunshieldglobal.com)

US PROJECTION



DRAWING NUMBER	SHEET	SIZE
145E Louver	1:1	A3

**SUNSHIELD**  
UNIQUE LOUVERS