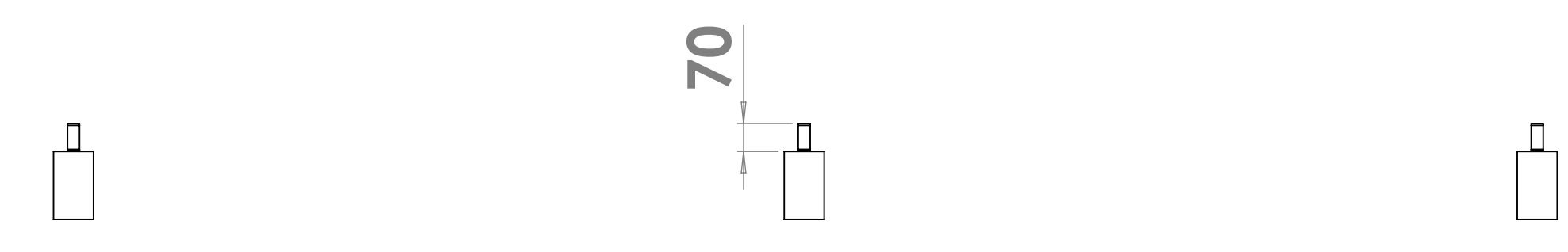
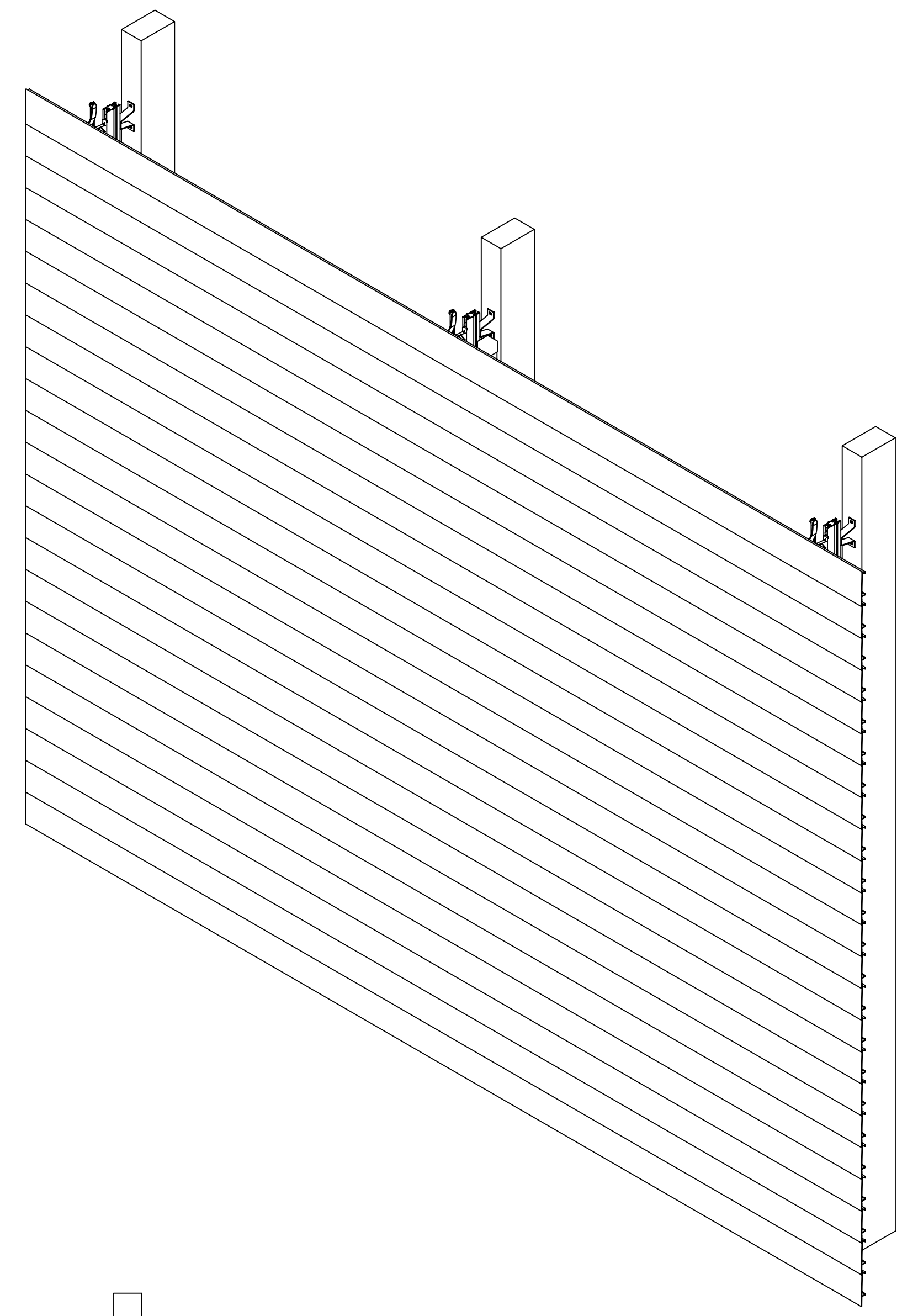
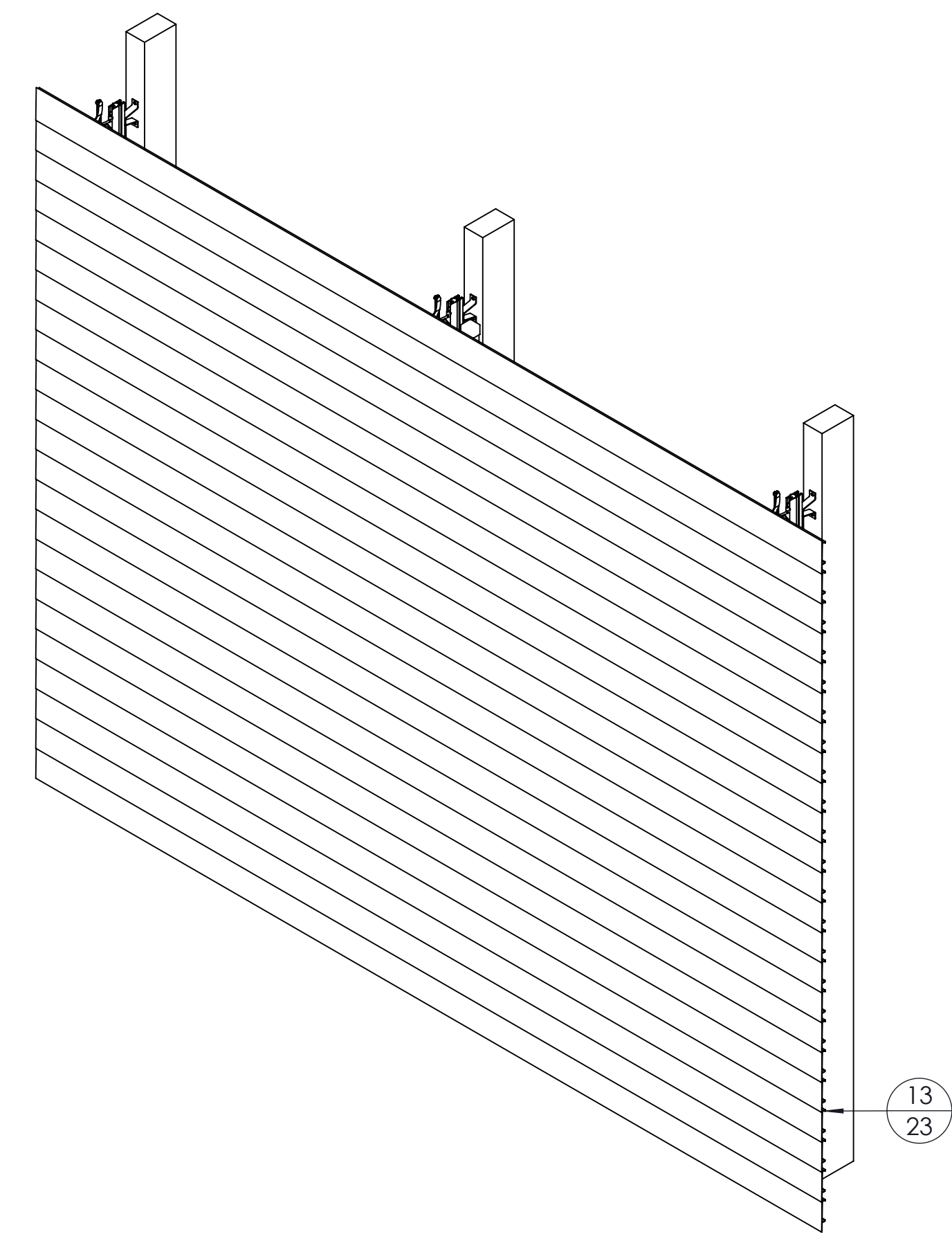
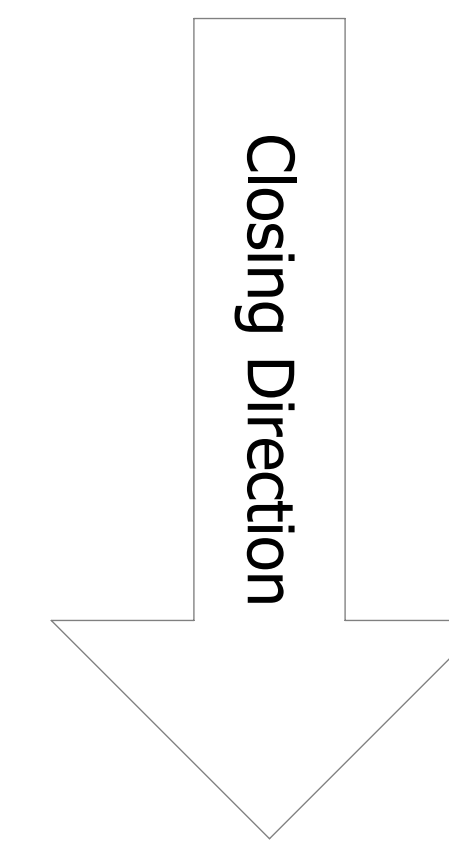
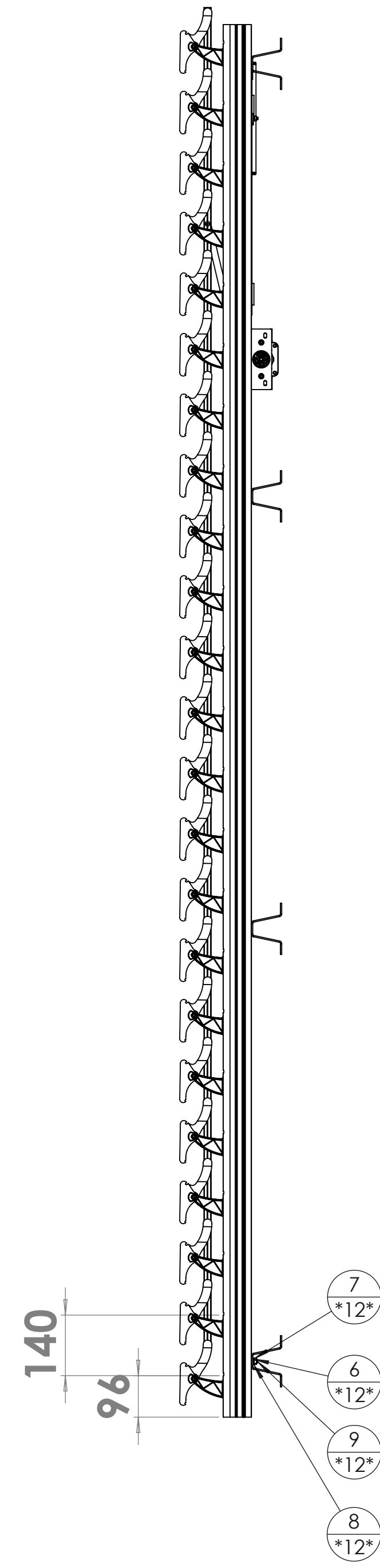
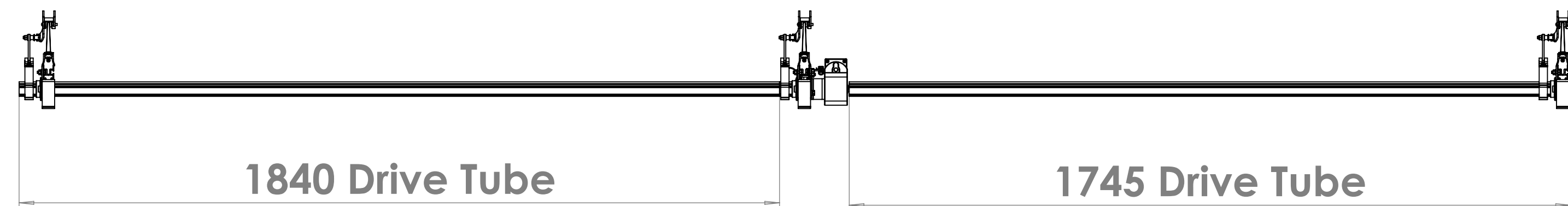
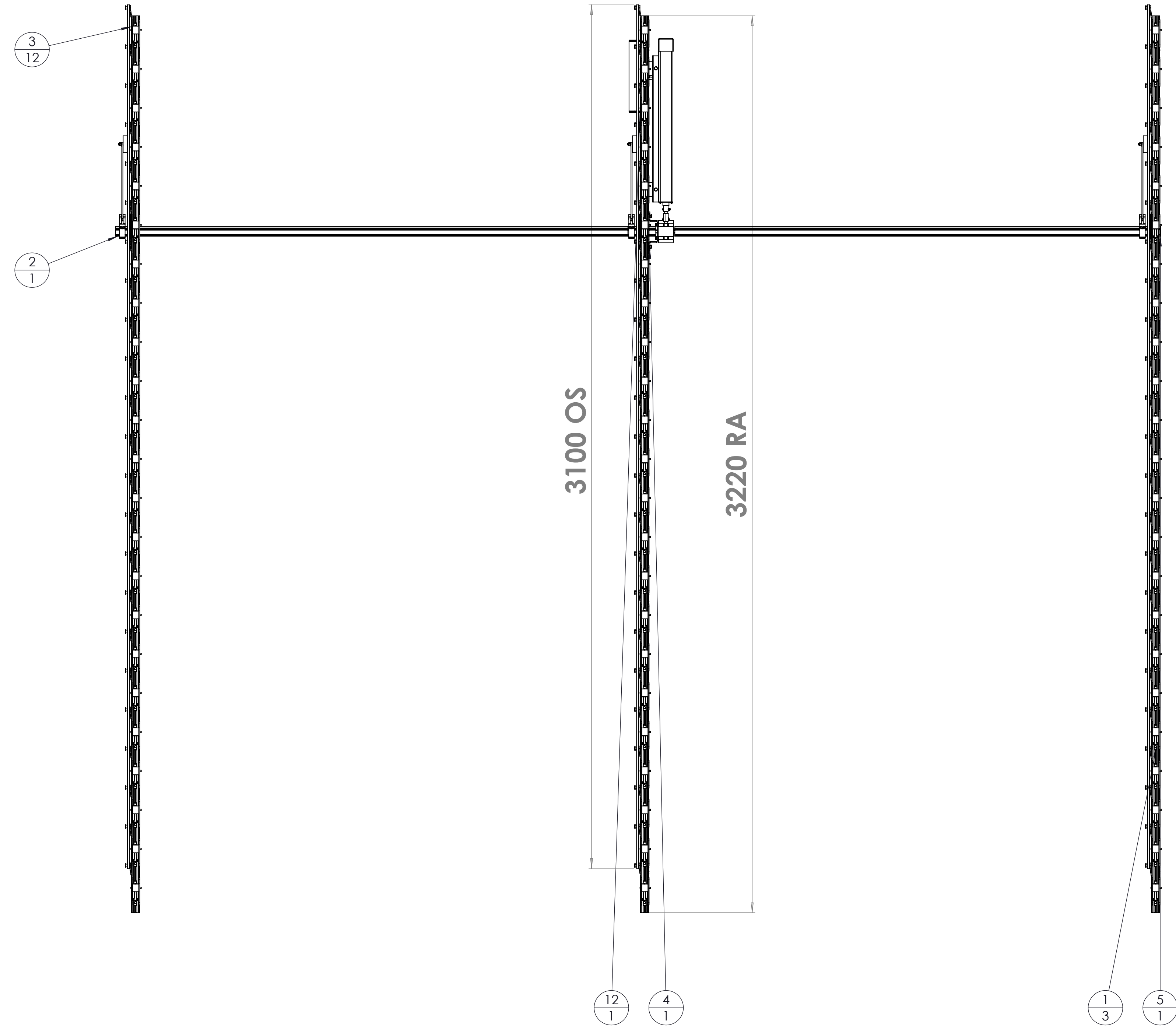
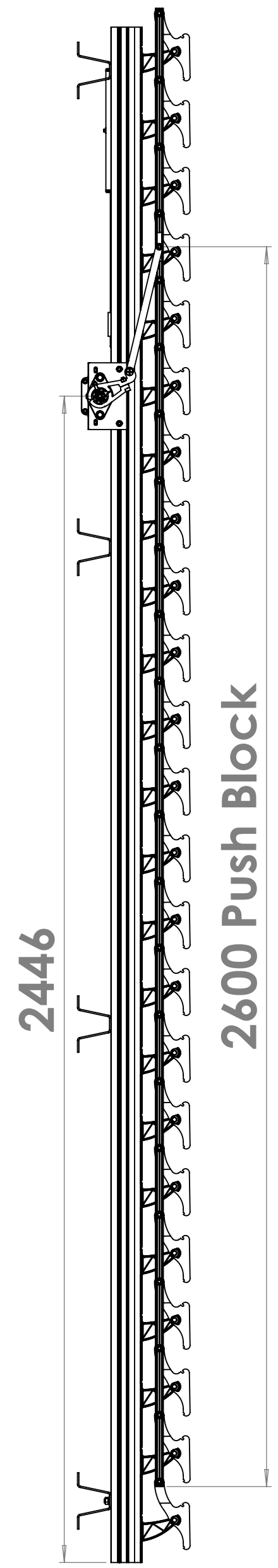


DETAIL A
SCALE 1 : 2



FASTENERS FOR INSTALLATION EXCLUDED (third party)				FASTENERS FOR SYSTEM ASSEMBLY INCLUDED			
MATERIAL							
CUSTOMER	DATE	4-3-2021	RACK ARMS & PARTS	RAL 9005 F.Sfr. SD			
DESCRIPTION	SCALE	1:15	LOUVERS	RAL 9005 F.Sfr. SD			
PROJECT NR	ENGINEER	JM	PLASTIC PARTS	Black			
Customer's Ref	QTY	1	STATE	Approved	150E	Ext	210128-01-000
Project's Ref	REV	01					
Company's Ref							
Project's Ref							
Company's Ref							

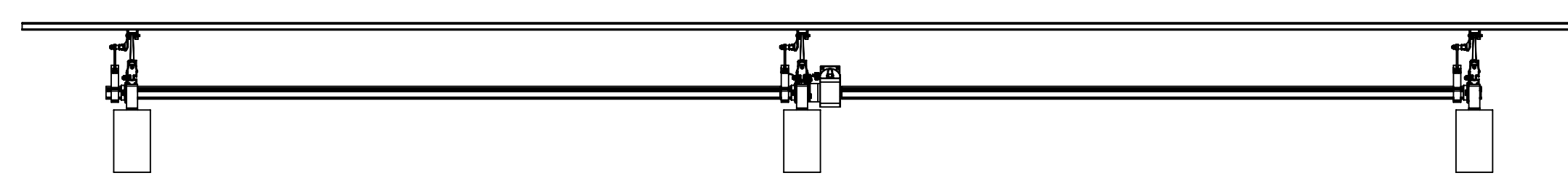
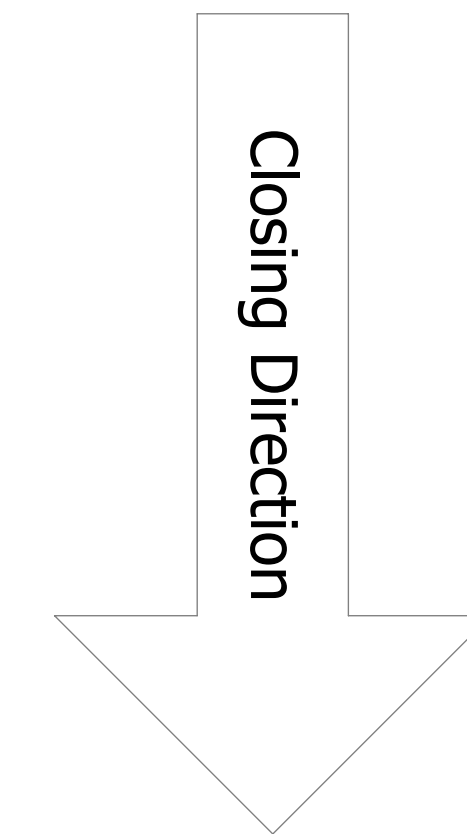
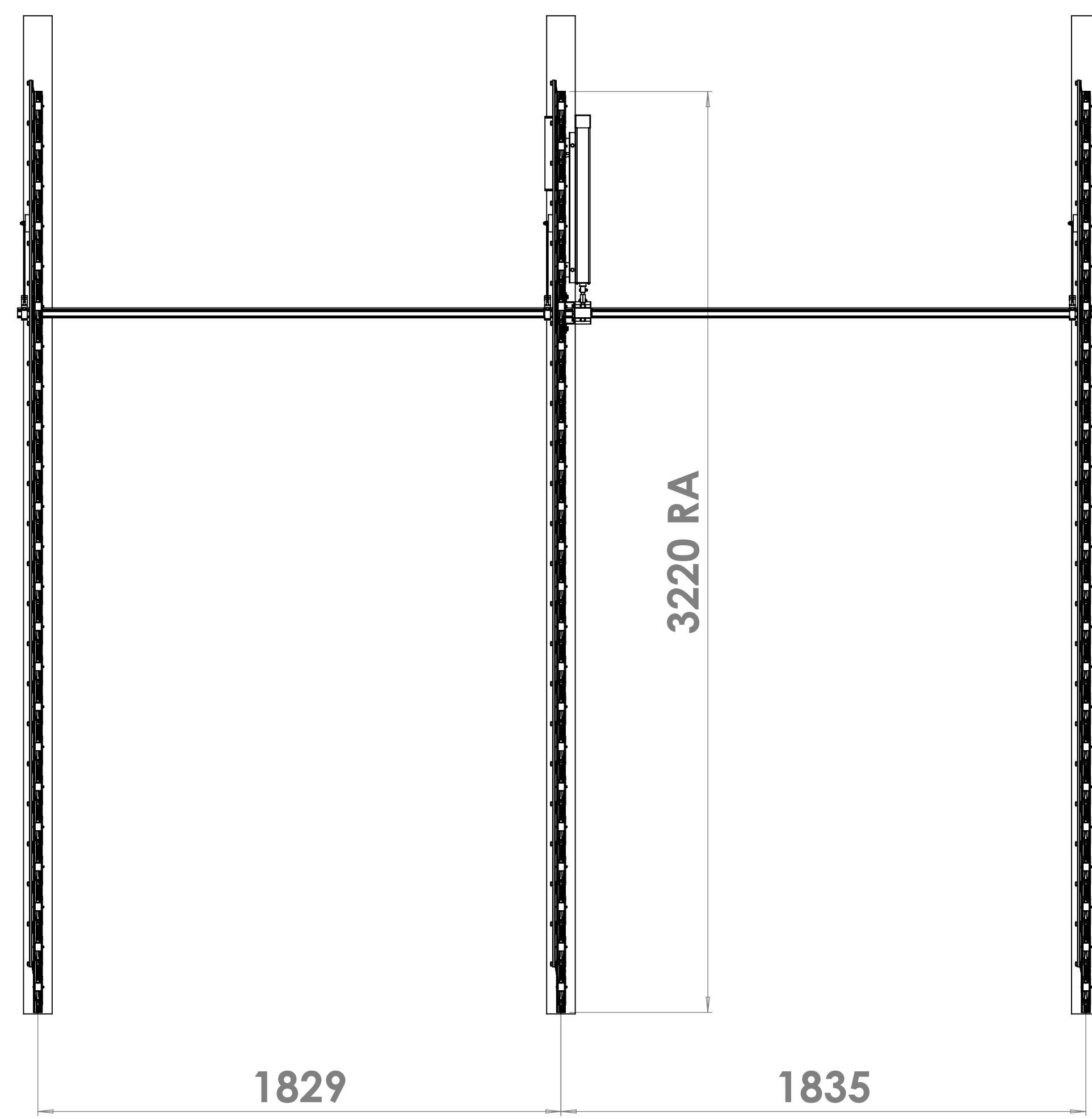
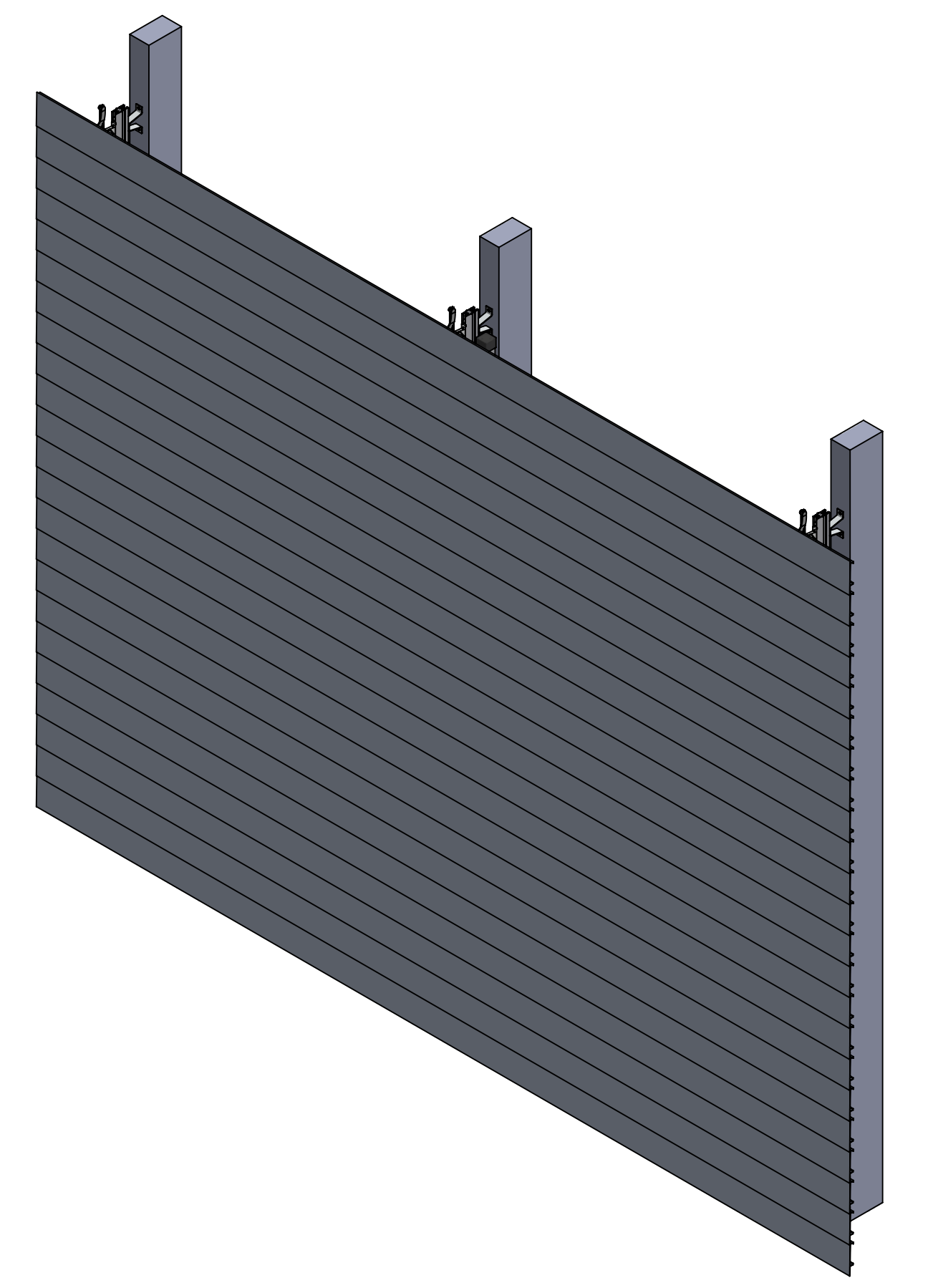
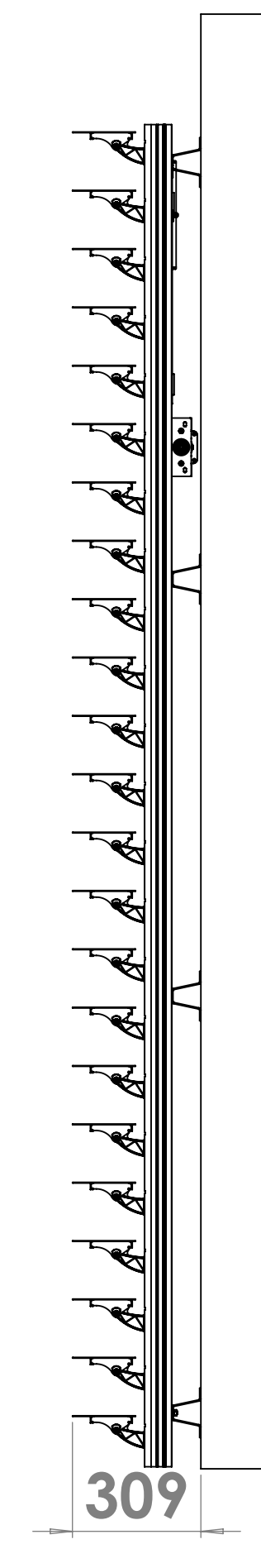
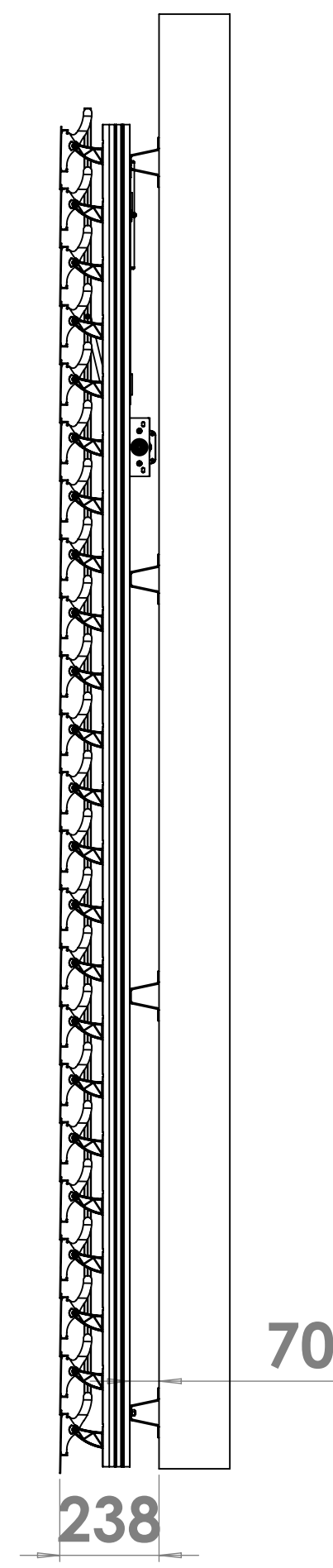
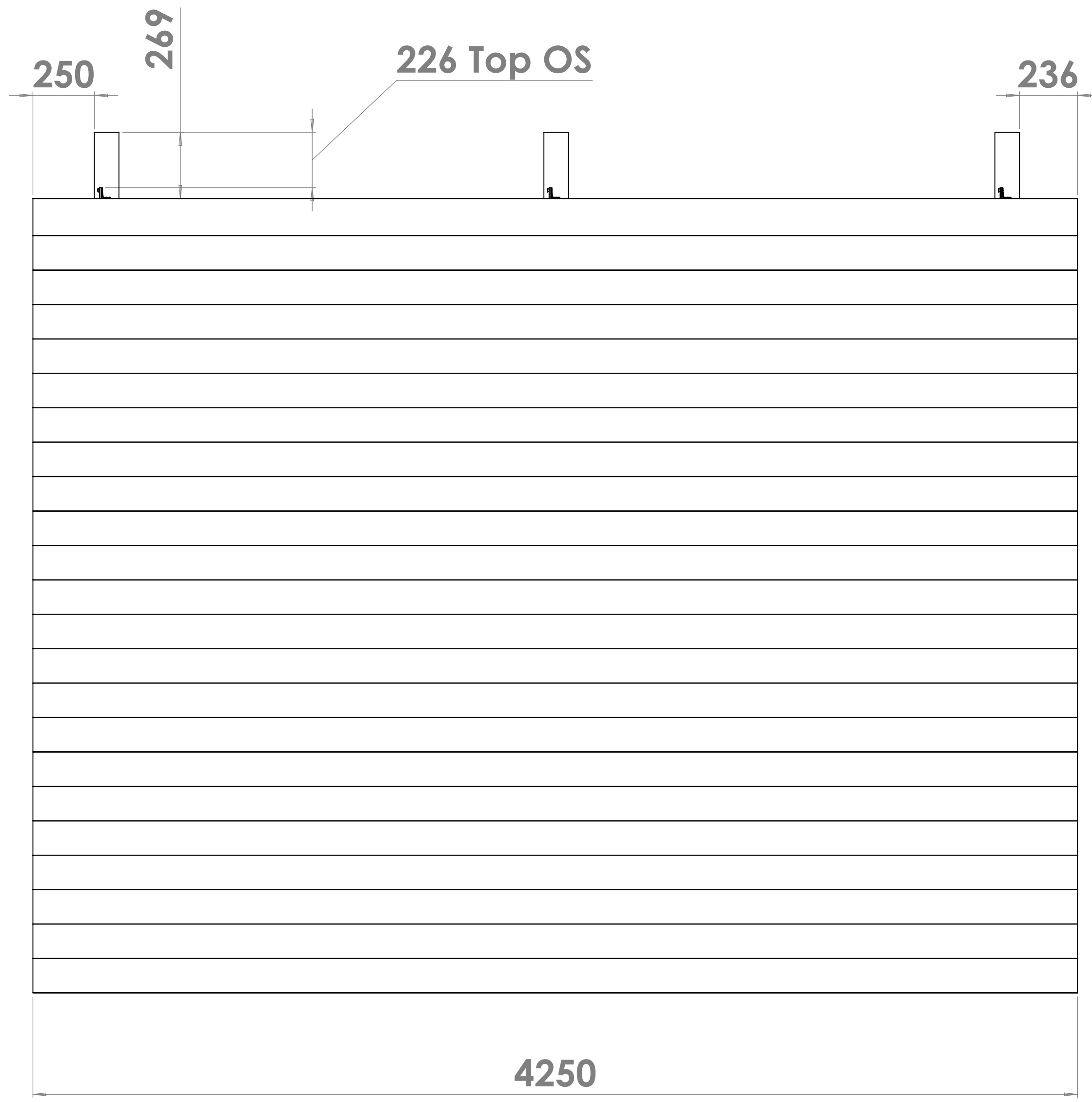
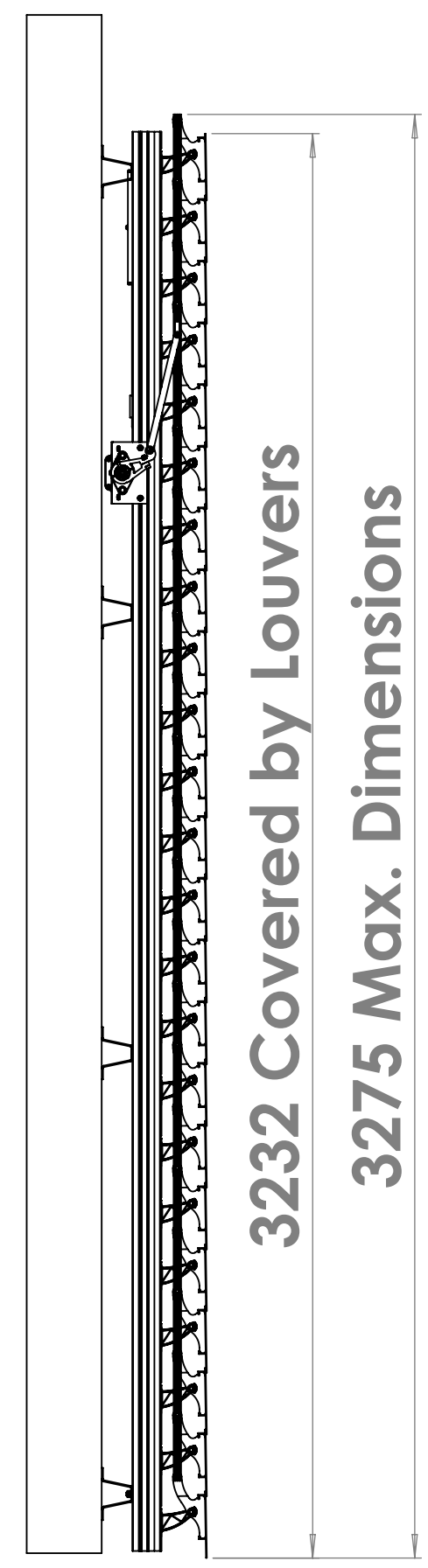




ITEM NO.	QTY.	SW-File Name(File Name)	DESCRIPTION	Comment 2
1	3	210128-01-100	Rack Arm 65 mm L-System, Pitch 140 mm (96)	L=3220 (96)
2	1	210128-01-501	Drive tube 35 mm	L=1840
3	12	14 620	Omega H-70-L, 28x68x31x68x28 x 3 mm, lg=30mm	L=30
4	1	45 813 22	Motor Kit 13:1 IO/RTS	
5	1	210128-01-502	Drive tube 35 mm	L=1745
6	*12*	908	DIN 125-1A Plain Washer M8	
7	*12*	910	DIN 934 Hexagon Nut M8	
8	*12*	911	DIN 6798-A Lock washer M8	
9	*12*	934 08 20	Hammer Head Bolt M8x20 (Type 2B/15)	
10	1	28 143	Somfy SUNEa SCR 40 IO, 13/10/230V, 5m white cable	
11	1	28 965	Hirschmann Set STAK/STAS-2 (Stak/Stas/clamp)	
12	1	58 988	Stak/Stas Protecting Kit (incl. Tube, Plugs & Bracket) (lg=250mm)	
13	23	210128-01-402	Louver 150E	L= 4250
14	1	28 161	Somfy Situo 1 IO Pure Transmitter, White	01

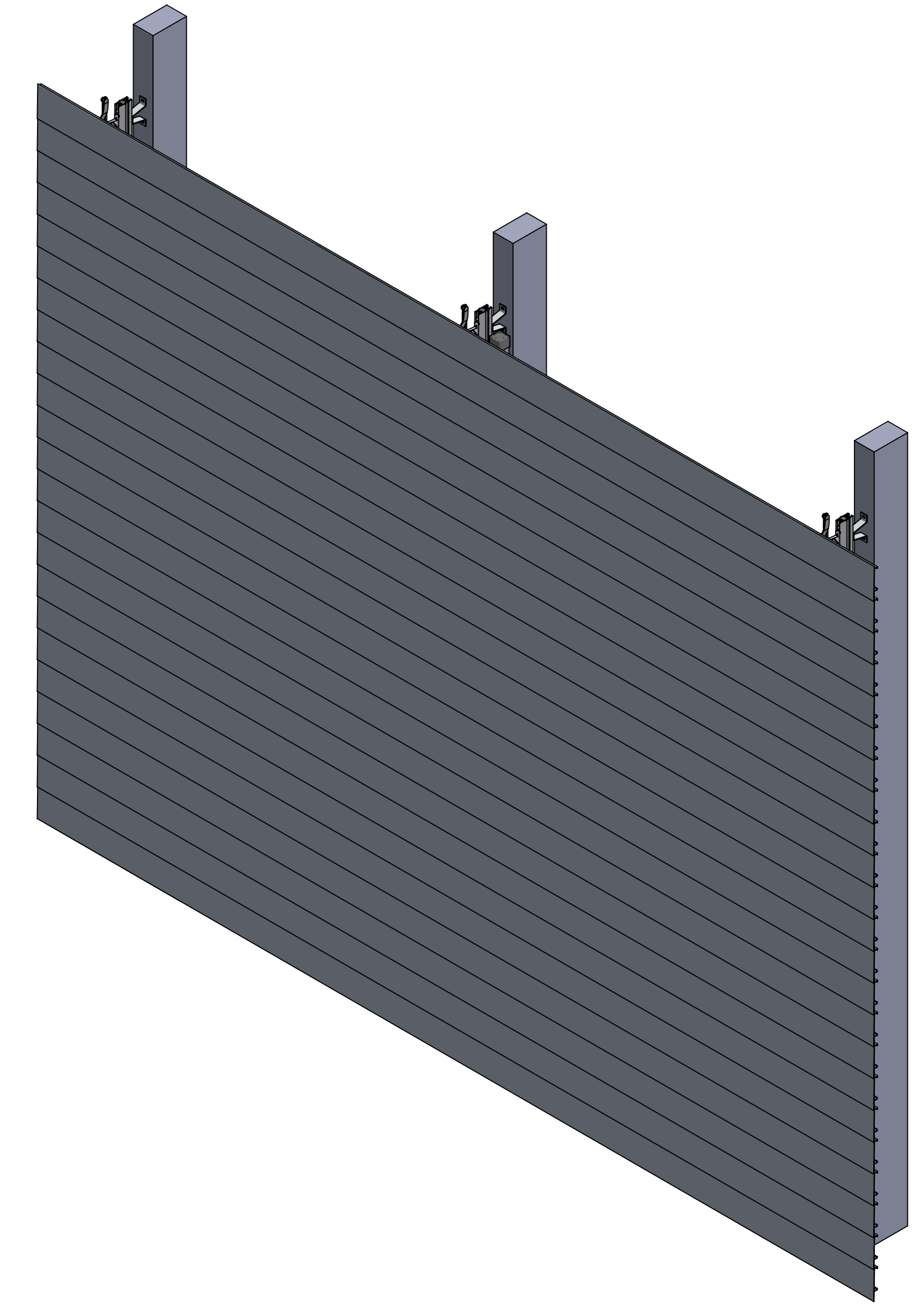
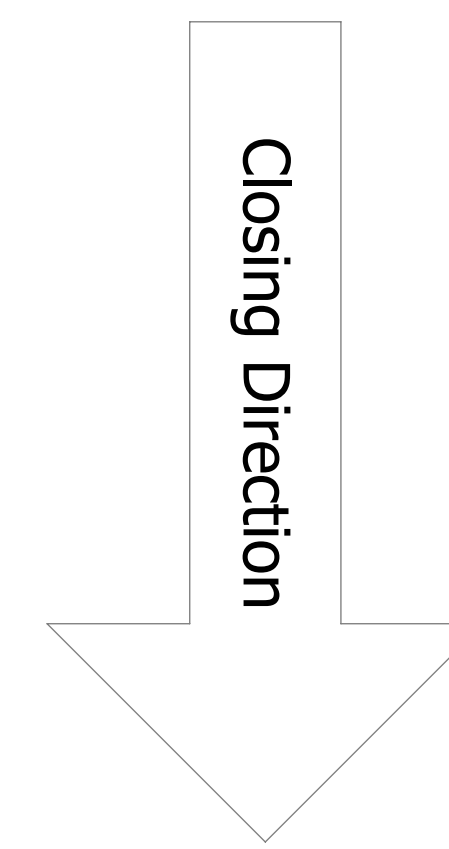
FASTENERS FOR INSTALLATION EXCLUDED (Inrd party)				FASTENERS FOR SYSTEM ASSEMBLY INCLUDED			
CUSTOMER	DATE	SCALE	ENGINEER	RACK ARMS & PARTS	PLASTIC PARTS	RAIL 9005 F.Str. SD	RAIL 9005 F.Str. SD
210128	4-3-2021	1:10	JM	LOUVERS	Black	Black	Black
QTY	STATE	REV	01	150E	Ext	210128-01-000	24 A0





FASTENERS FOR INSTALLATION EXCLUDED (third party)				FASTENERS FOR SYSTEM ASSEMBLY INCLUDED			
MATERIAL							
CUSTOMER	DATE	4-3-2021	RACK ARMS & PARTS	RAL 9005 F.Sfr. SD			
DESCRIPTION	SCALE	1:15	LOUVERS	RAL 9005 F.Sfr. SD			
PROJECT NR	ENGINEER	JM	PLASTIC PARTS	Black			
210128	QTY	1	STATE	Approved	150E	Ext	210128-01-000
210128	REV	01					3/4 A0





FASTENERS FOR INSTALLATION EXCLUDED (third party)		FASTENERS FOR SYSTEM ASSEMBLY INCLUDED	
MATERIAL		RACK ARMS & PARTS	RAL 9005 F.Sfr. SD
CUSTOMER	DATE 4-3-2021	LOUVERS	RAL 9005 F.Sfr. SD
DESCRIPTION	SCALE 1:10	PLASTIC PARTS	Black
PROJECT NR	ENGINEER JM		
210128	1		
Quantity	QTY 1		
NI 4941 VL	STATE Approved		
RogynDorkester	REV 01		
The Netherlands			

	QTY	STATE	REV	DESCRIPTION	SCALE	DATE
	1	Approved	01			

210128-01-000	4/4	A0
---------------	-----	----

SUNSHIELD	
UNIQUE LOUVERS	