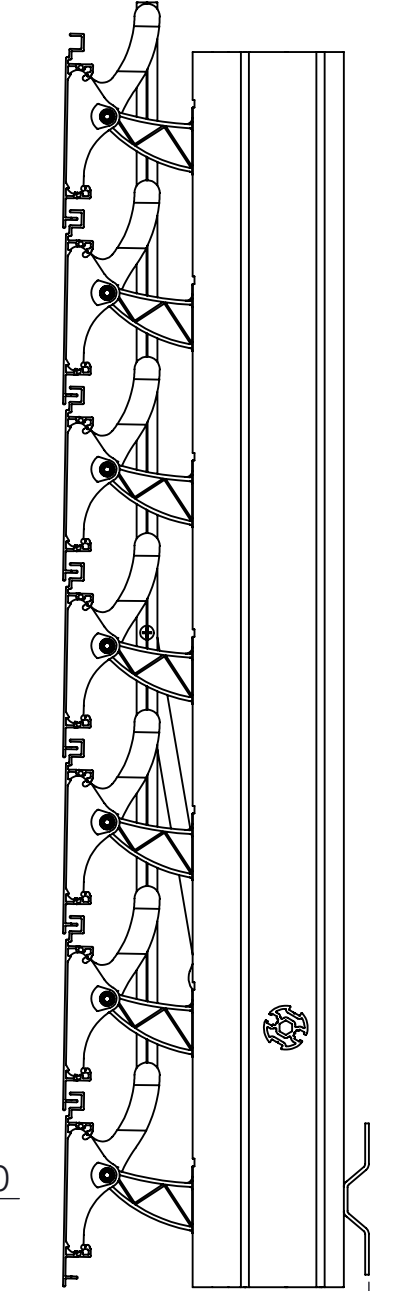
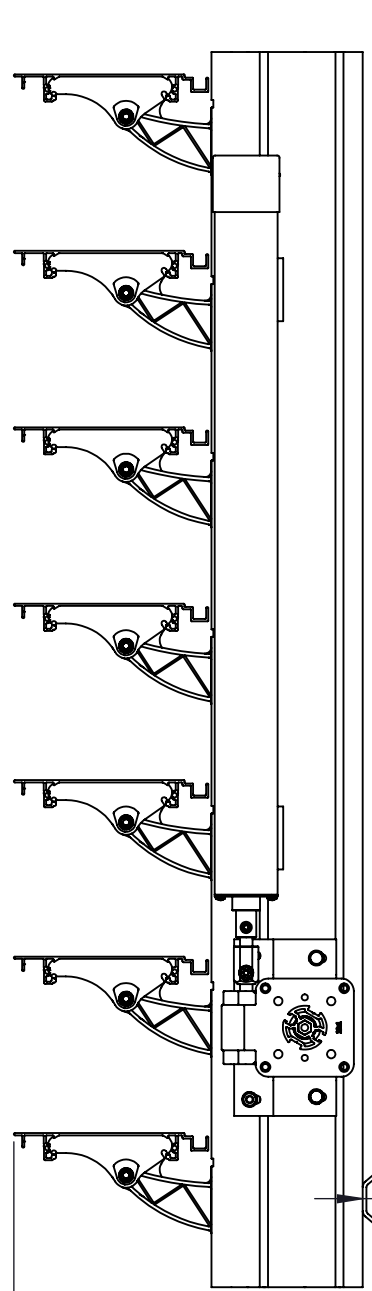
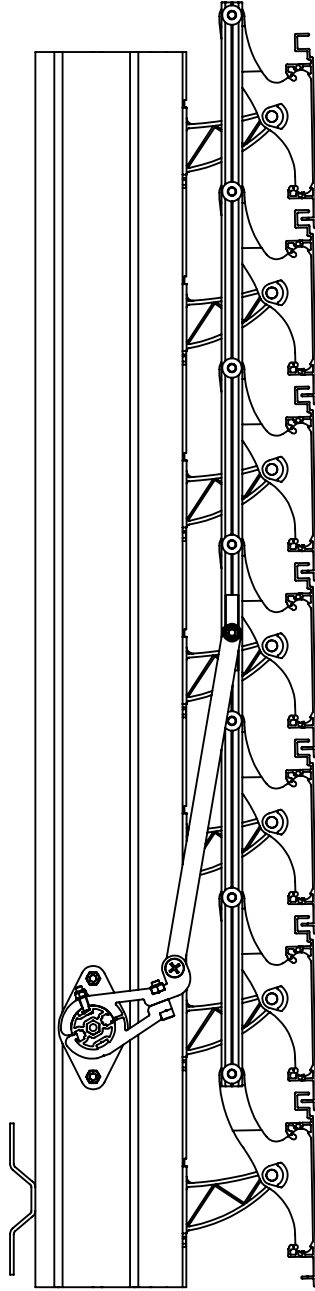
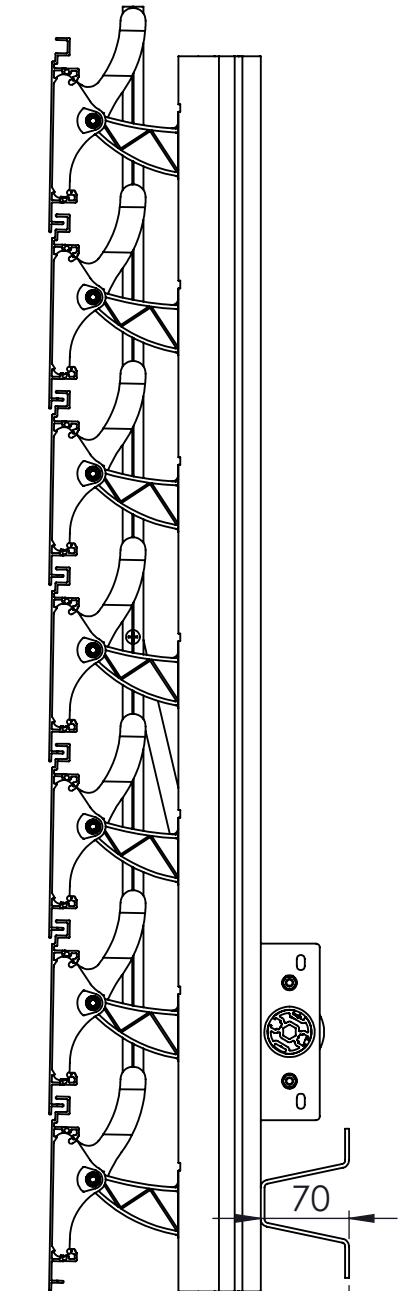
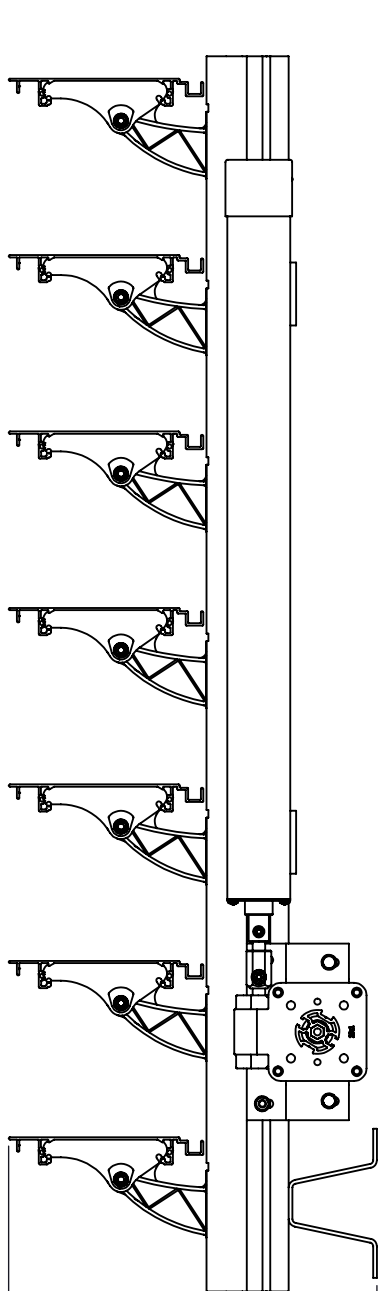
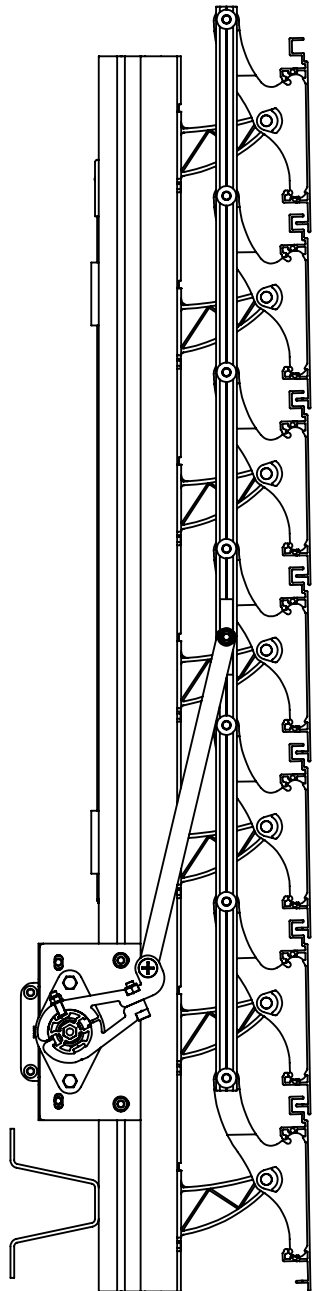


155E scale 1:6

Rack arm 65mm

Rack arm 120mm

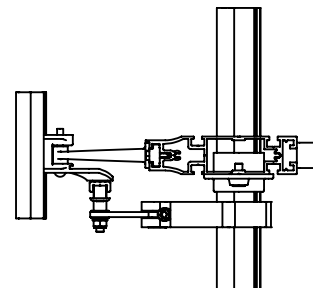
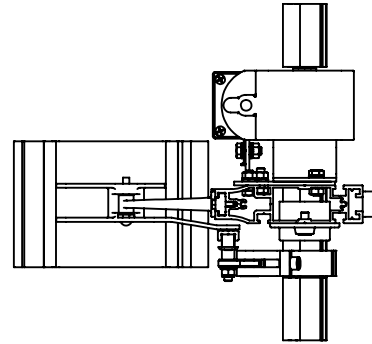
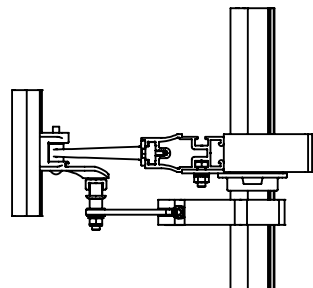
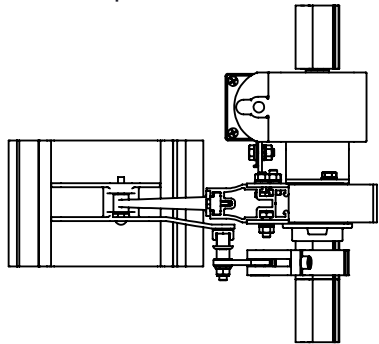


292  
open louver

238  
closed louver

297  
open louver

243  
closed louver

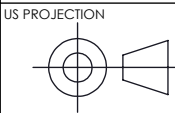


70

20

©This drawing is the sole property of Sunshield and shall not be copied, duplicated, transmitted or used in any manner without written consent of Sunshield

www.sunshieldglobal.com



DRAWING NUMBER  
155E Louver

SHEET SIZE  
1:1 A3

