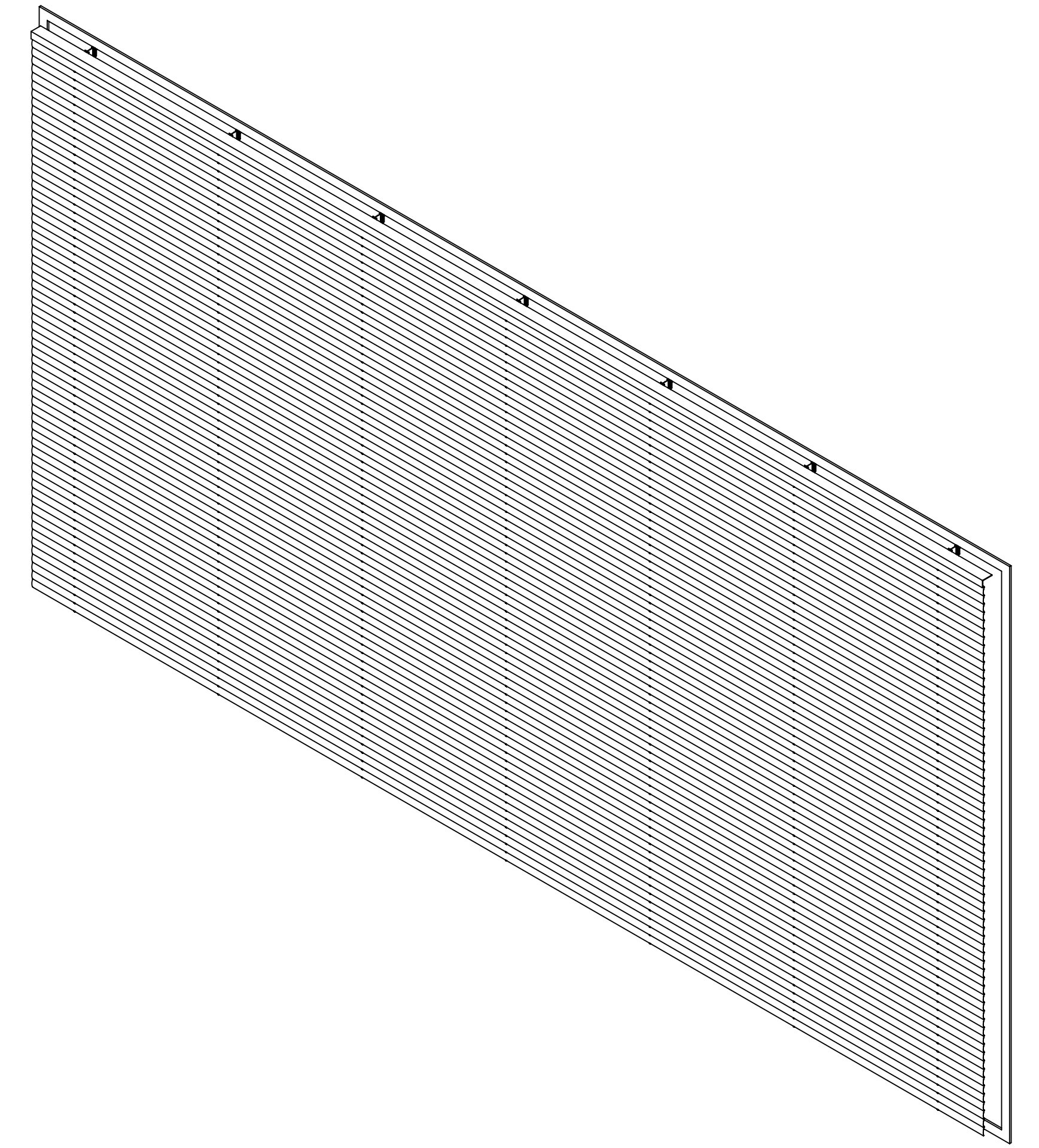


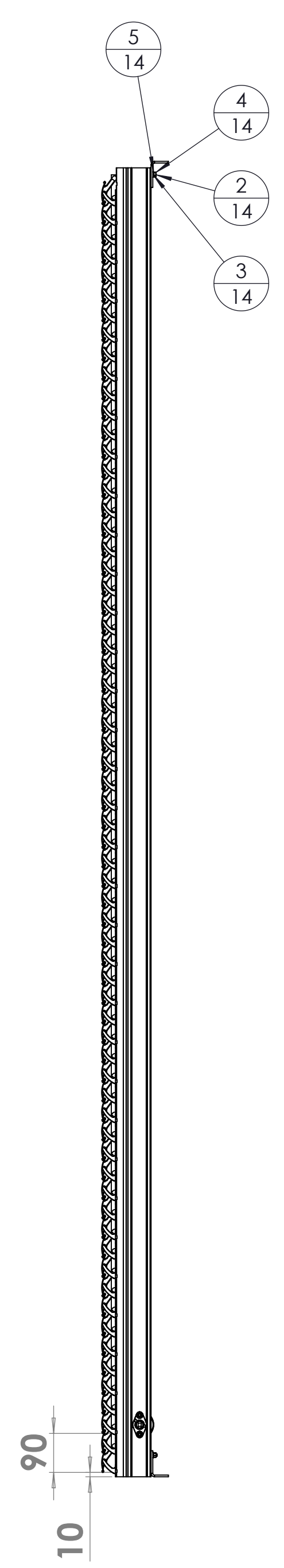
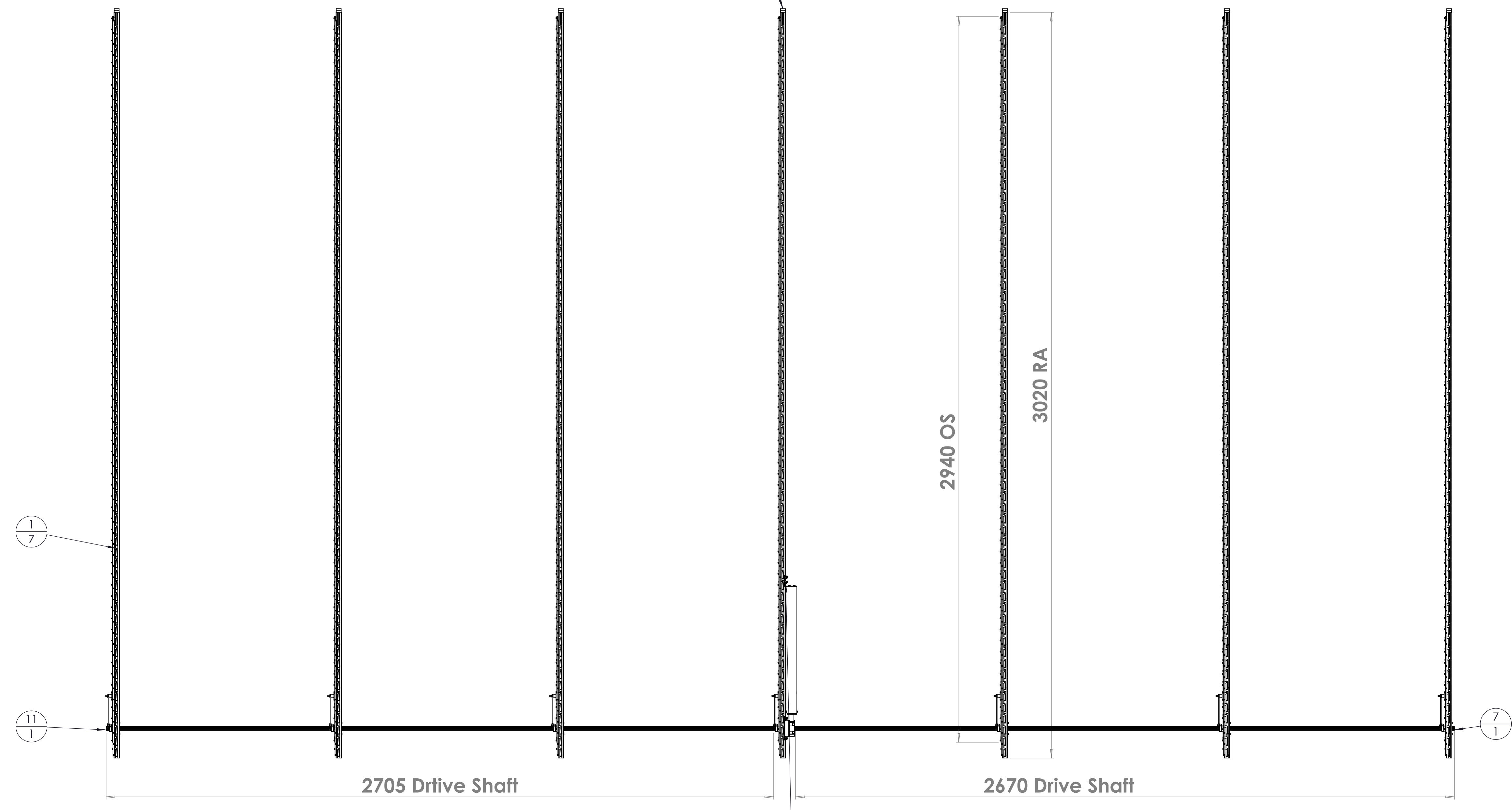
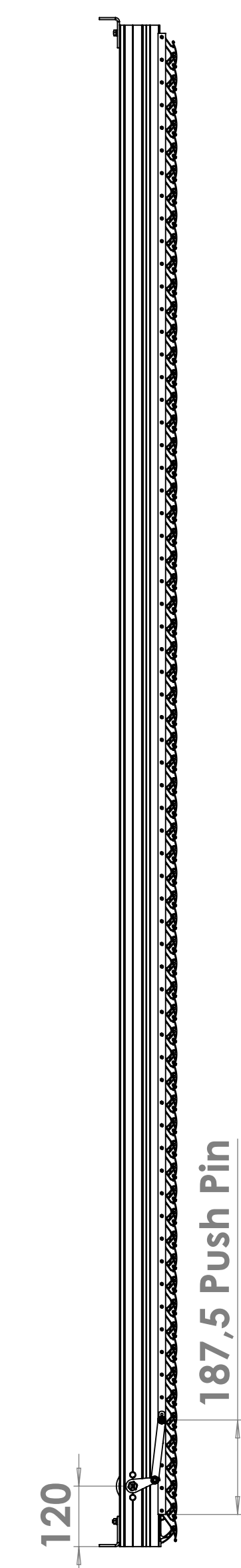
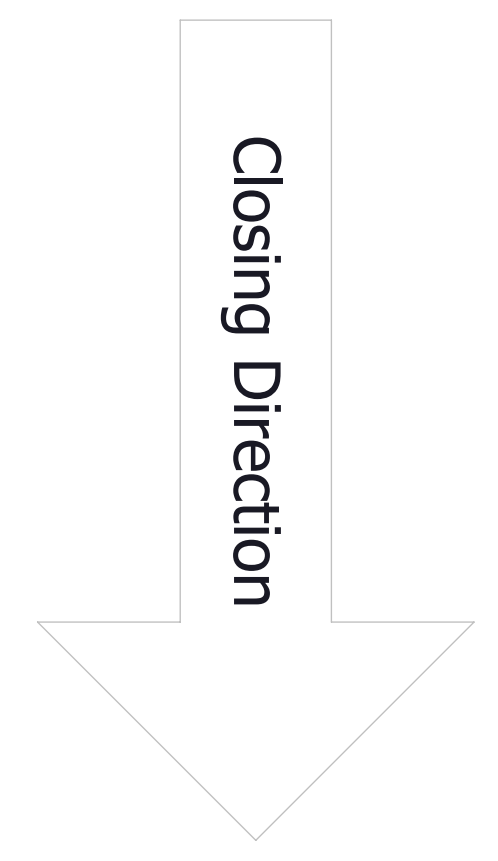
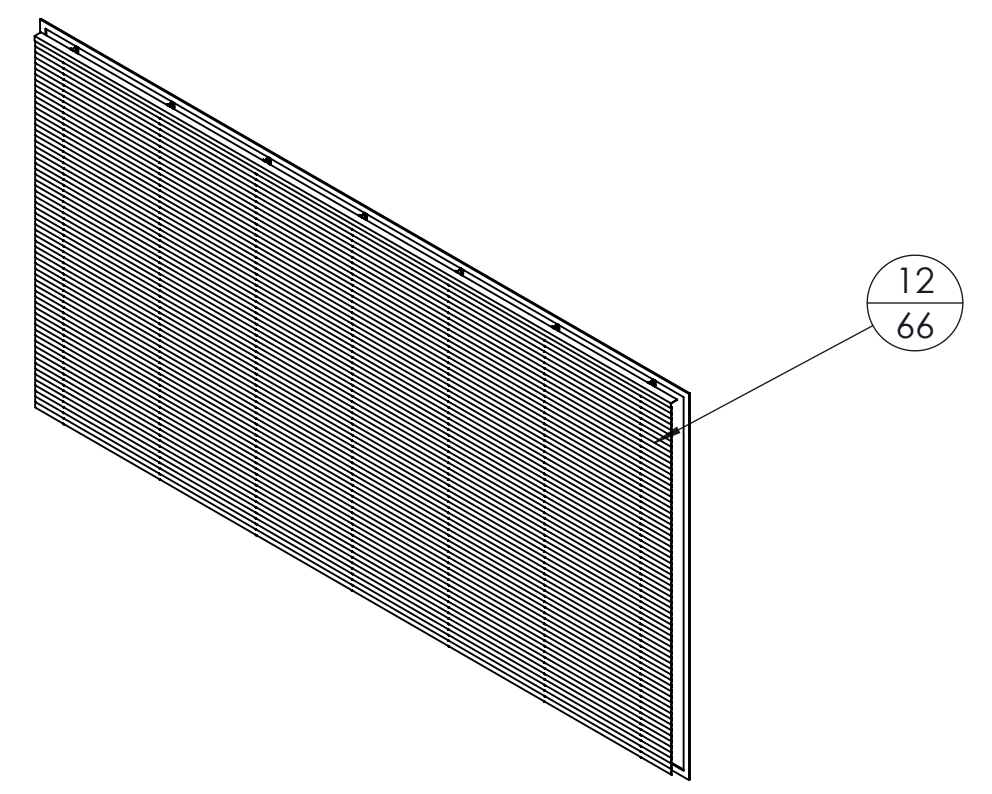
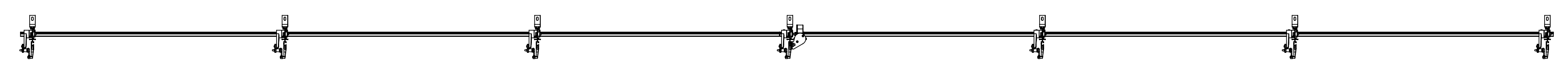
Window Frame with Brackets



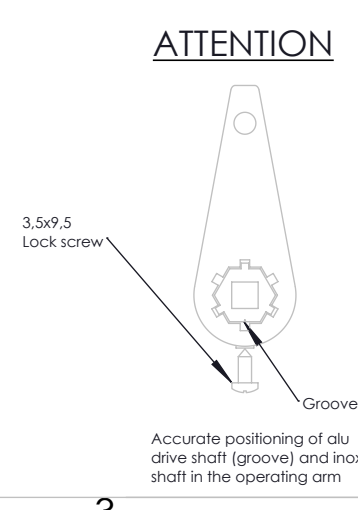
**ATTENTION**

FASTENERS FOR INSTALLATION EXCLUDED (third party)		FASTENERS FOR SYSTEM ASSEMBLY INCLUDED	
MATERIAL		RACK ARMS & PARTS	Not. Ano
CUSTOMER	DATE 9-6-2021	LOUVERS	RAL 7035
DESCRIPTION	SCALE 1:10	PLASTIC PARTS	Light Grey
PROJECT NR 2102063	ENGINEER JM		
OPERATED BY NL 4141 V1	QTY 2	STATE Waiting for Approval	DATE 11/11/2021
REVISIONS	REV A	50A	2102063-2-B-V2-000 1:4 A0

**SUNSHIELD**  
UNIQUE LOUVERS



ITEM NO.	QTY.	SW-File Name(File Name)	DESCRIPTION	Comment 2
1	7	2102063-2-B-V1-100	Heavy Duty Rack Arm, 80 mm, Pitch 90 mm (10) Assembled	L=3020; Pitch 90 (10)
2	14	901	DIN 933 Hexagon Head Bolt M6x16	
3	14	908	DIN 125-1A Plain Washer M6	
4	14	910	DIN 934 Hexagon Nut M6	
5	14	911	DIN 6798-A Lock washer M6	
6	14	2102063-1-B-V1-302	Angle bracket 60x40x4 mm, lg=20mm (part only)	L=20
7	1	2102063-1-B-V1-501	Drive Shaft	L=2670
8	4	939	DIN 7981 Panhead screw 3,5 x 9,5	
9	1	58 992 99 11	Interior Motor kit for 6:1 Hard Wired	L=515 (Motor Tube)
10	1	28 102	Somfy LS40 VULCAN Motor 13/10/230V, 3m white cable	
11	1	2102063-1-B-V1-502	Drive Shaft	L=2705
12	66	2102063-2-B-V2-401	Louver 50A	L=5951
13	1	2102063-2-B-V2-301	Angle 40x60x3 mm, Mill,	L=5951 <sup>A</sup>



FASTENERS FOR INSTALLATION EXCLUDED (third party) FASTENERS FOR SYSTEM ASSEMBLY INCLUDED

CUSTOMER	DATE	9-6-2021	RACK ARMS & PARTS	Mat. No.
DESCRIPTION	SCALE	1:10	LOUVERS	RAL 7035
PROJECT NR	ENGINEER	JM	PLASTIC PARTS	Light Grey
STATE	QTY	2	50A	Int
REV	REV	A	Waiting for Approval	24 A0

3,5x9,5 Lock screw

ATTENTION

Accurate positioning of the drive shaft (directional arrow) must be in the operating position

SUNSHIELD UNIQUE LOUVERS

12 11 10 9 8 7 6 5 4 3 2 1

H

G

F

E

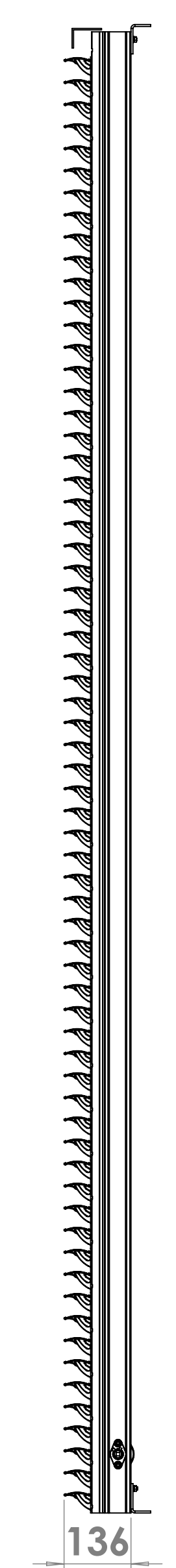
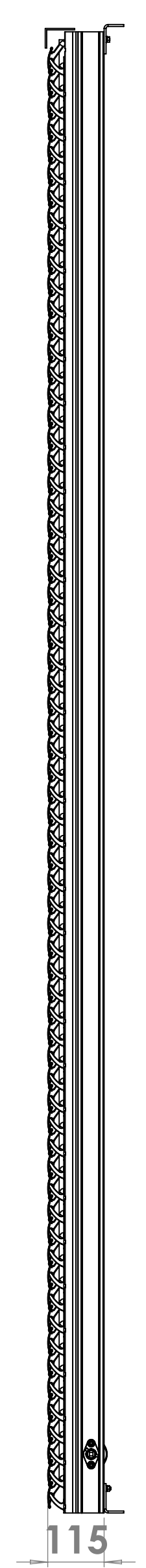
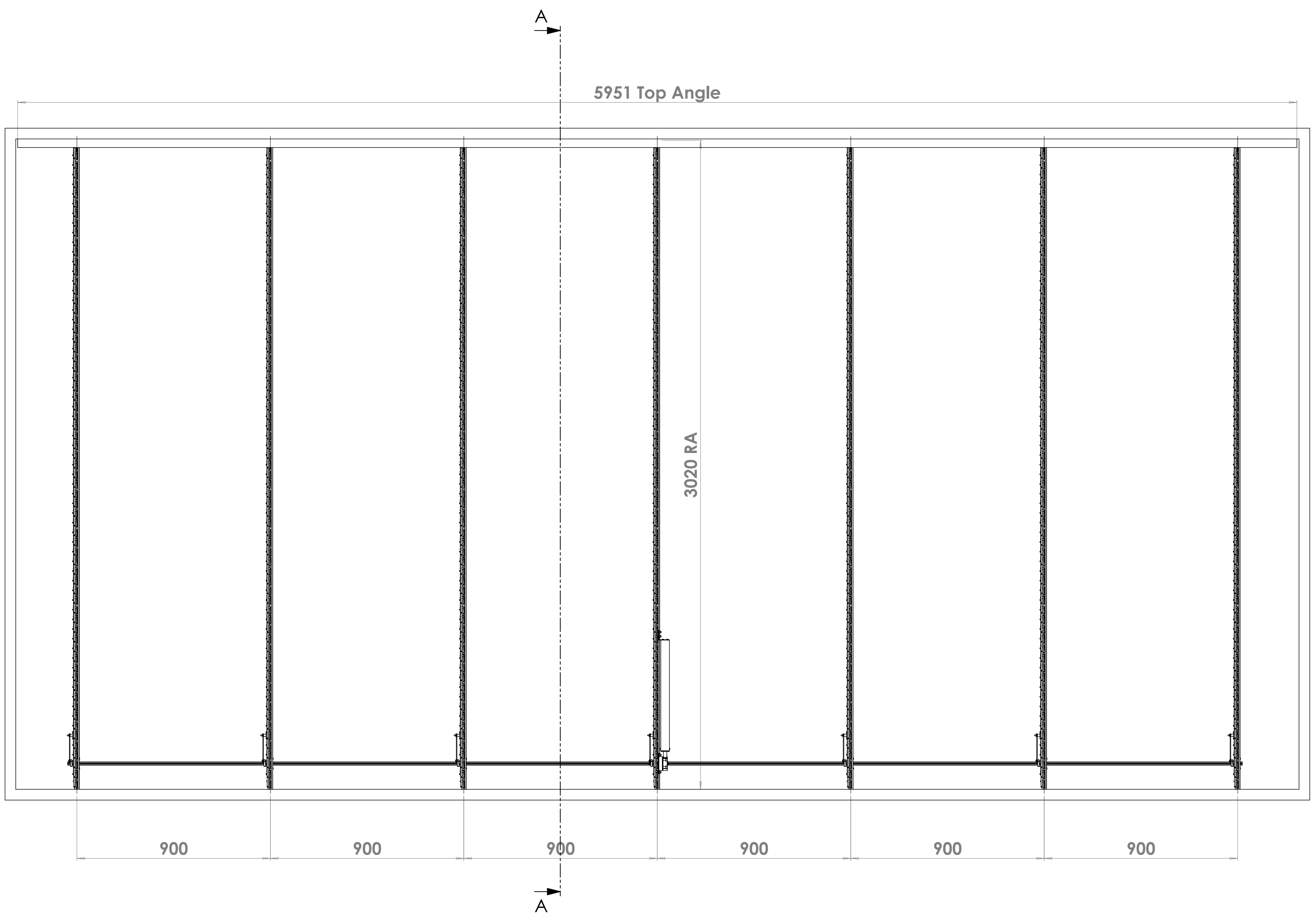
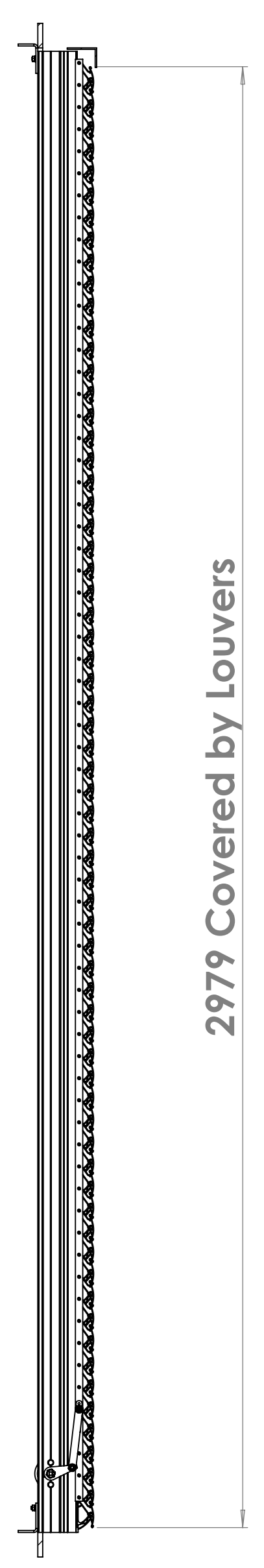
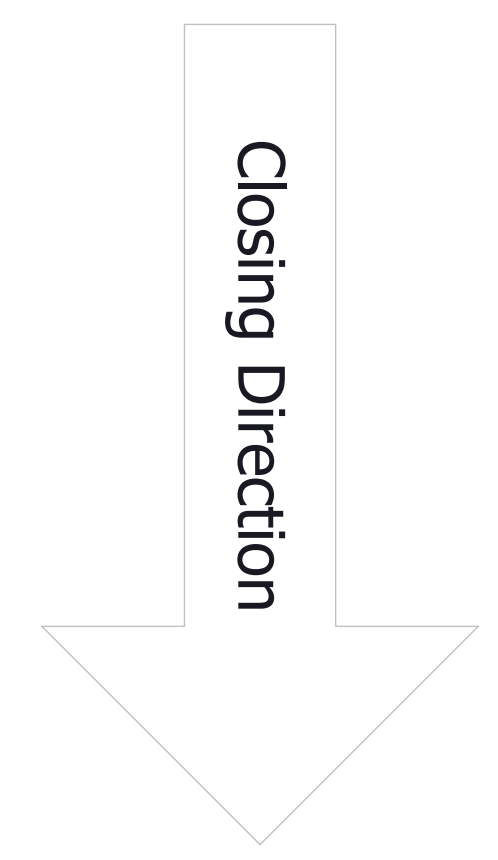
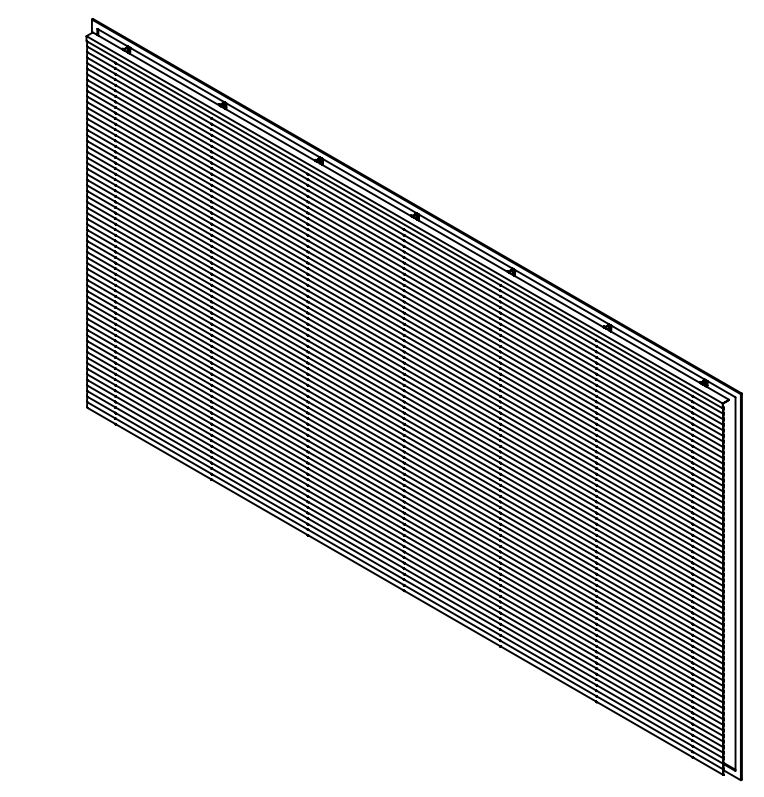
D

C

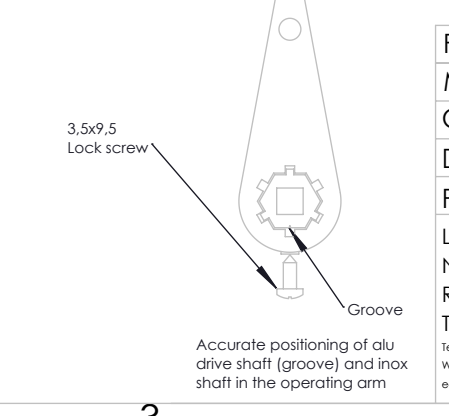
B

A

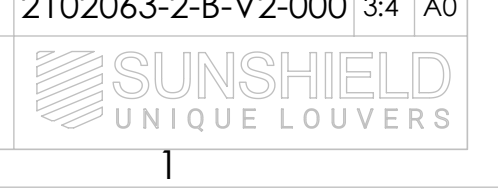
12 11 10 9 8 7 6 5 4 3 2 1

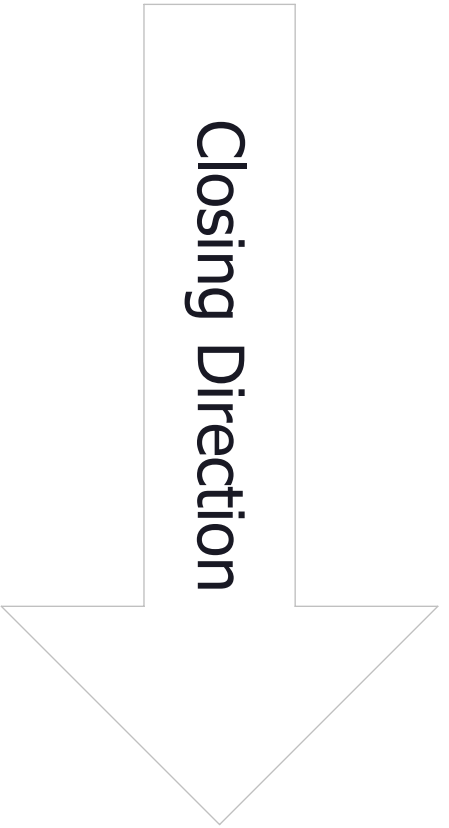
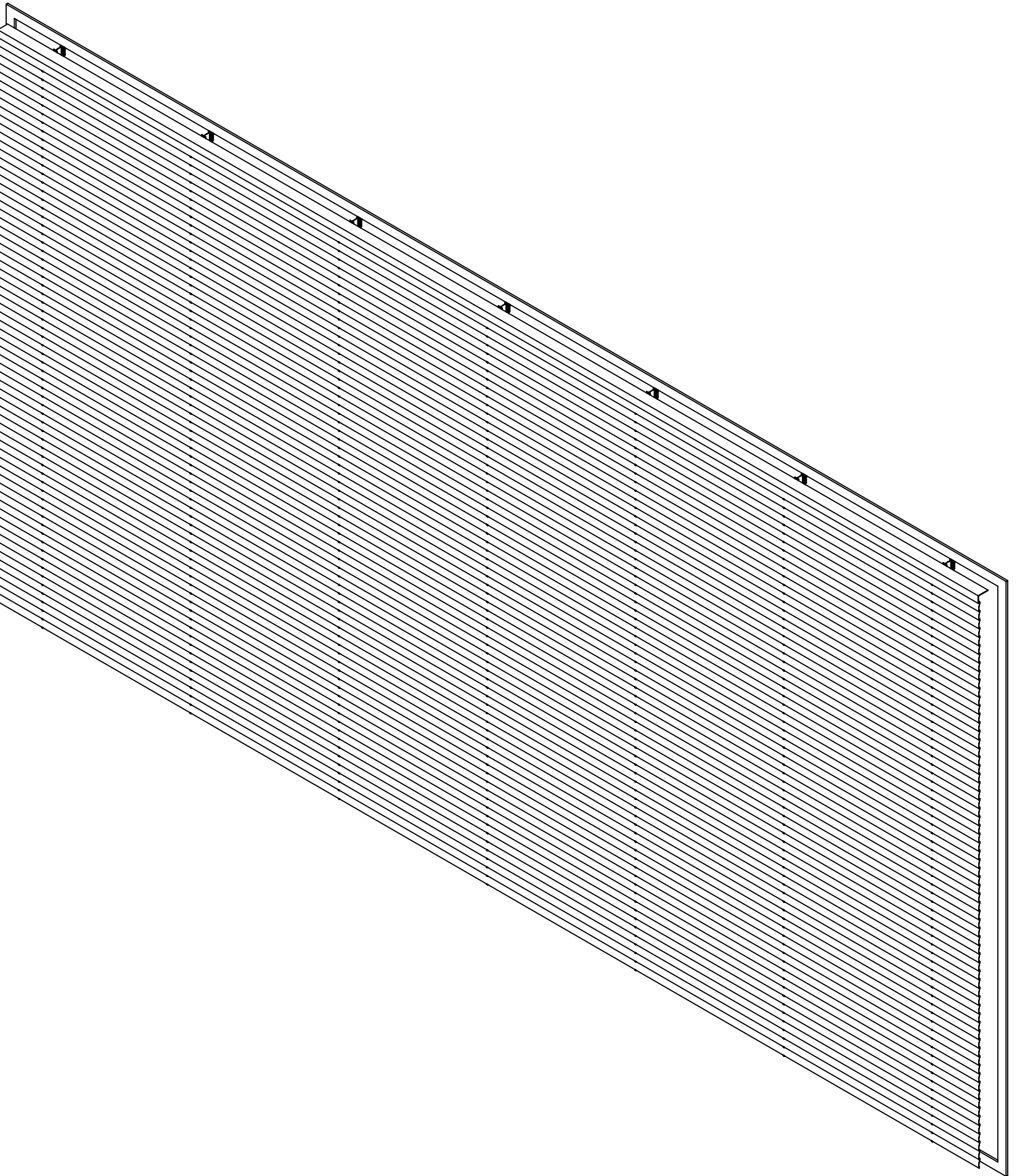


**ATTENTION**

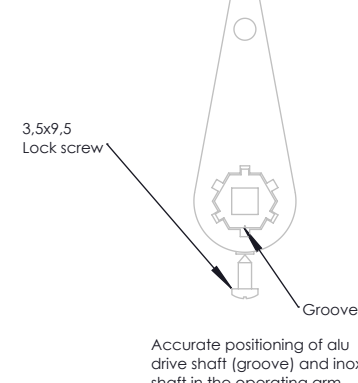


FASTENERS FOR INSTALLATION EXCLUDED (third party)				FASTENERS FOR SYSTEM ASSEMBLY INCLUDED			
MATERIAL							
CUSTOMER	DATE	9-6-2021	RACK ARMS & PARTS	Not. Ano			
DESCRIPTION	SCALE	1:10	LOUVERS	RAL 7035			
PROJECT NR	ENGINEER	JM	PLASTIC PARTS	Light Grey			
2102063							
Quantity: 2	QTY	2	STATE	Waiting for Approval	50A	Int	2102063-2-B-V2-000 3/4 A0
Material: 2979	REV	A					





**ATTENTION**



FASTENERS FOR INSTALLATION EXCLUDED (third party)				FASTENERS FOR SYSTEM ASSEMBLY INCLUDED			
MATERIAL		DATE	9-6-2021	RACK ARMS & PARTS	Not. Ano		
CUSTOMER		SCALE	1:10	LOUVERS	RAL 7035		
DESCRIPTION	2102063	ENGINEER	JM	PLASTIC PARTS	Light Grey		
PROJECT NR		QTY	2	STATE	Int	2102063-2-B-V2-000	4/4 A0
OPERATED BY		REV	A	Waiting for Approval			
REVISIONS							

