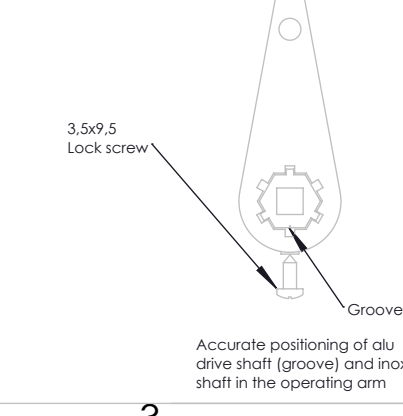


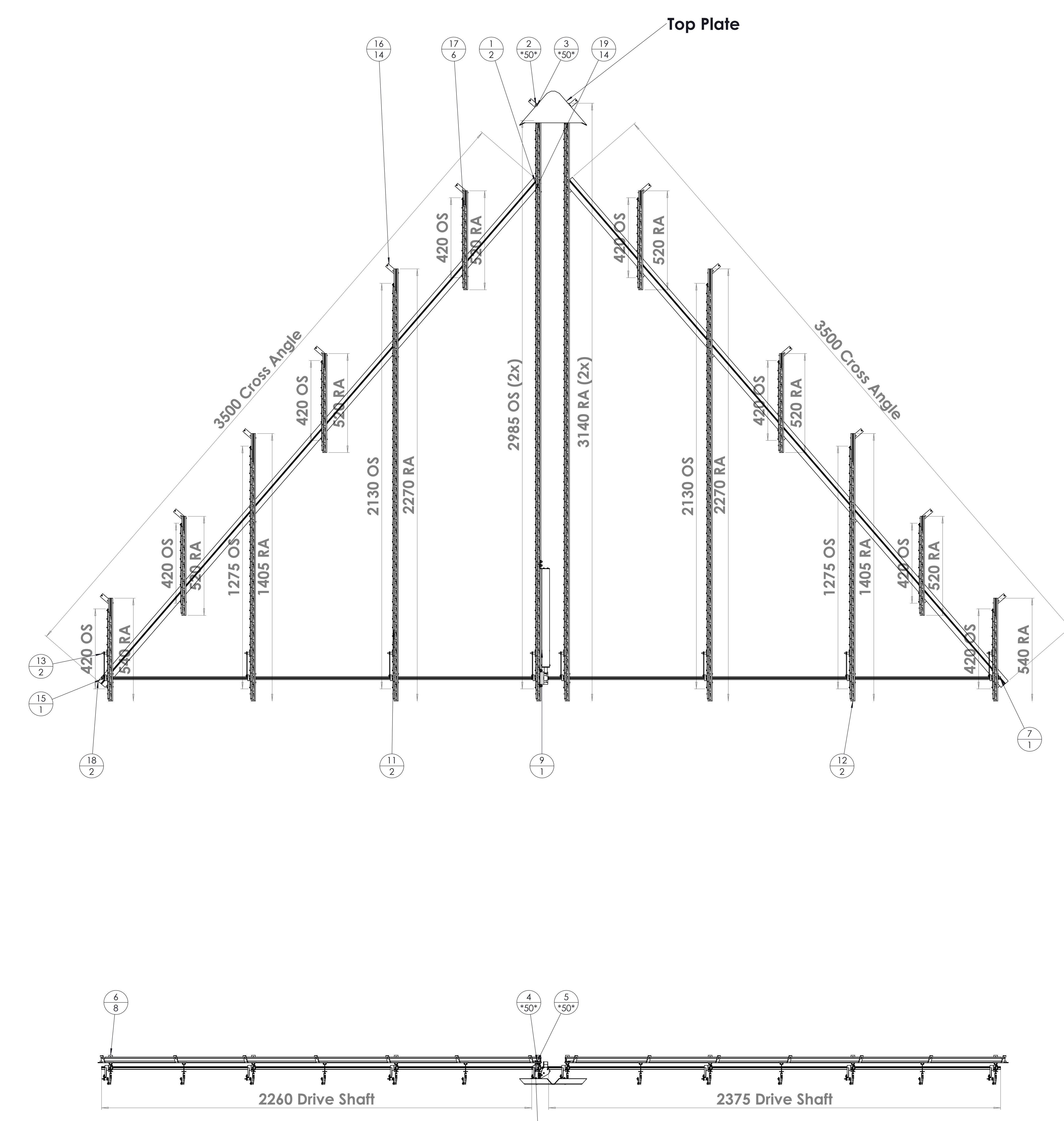
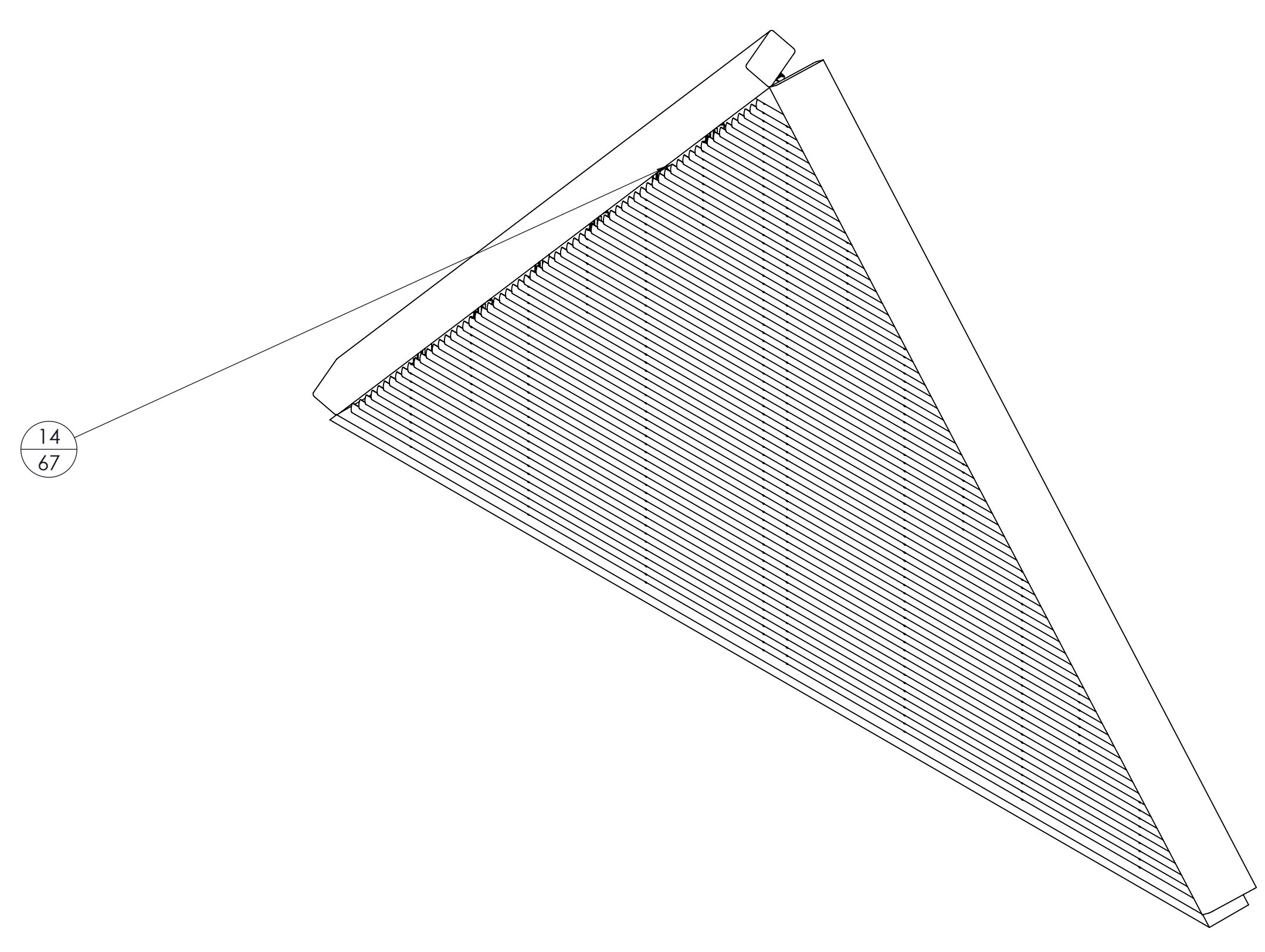
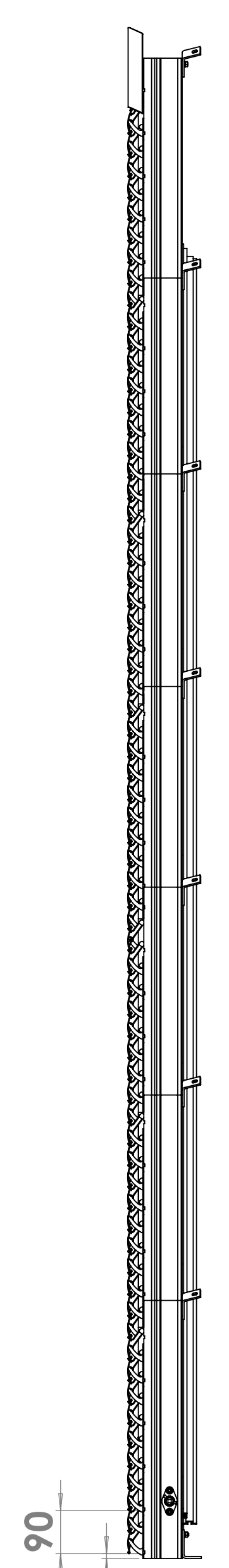
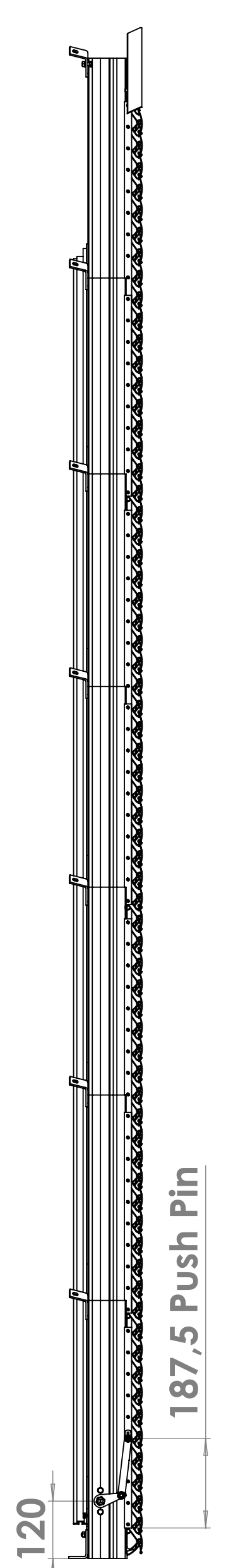
Window Frame with Brackets

ATTENTION



FASTENERS FOR INSTALLATION EXCLUDED (third party)				FASTENERS FOR SYSTEM ASSEMBLY INCLUDED			
MATERIAL							
CUSTOMER		DATE	9-6-2021	RACK ARMS & PARTS		Mat. No	
DESCRIPTION		SCALE	1:10	LOUVERS		RAL 7035	
PROJECT NR	2102063	ENGINEER	JM	PLASTIC PARTS		Light Grey	
OPERATED BY		QTY	4				
HL 4941 V1		STATE	Waiting for Approval				
Revised/Drawn by		REV	B				

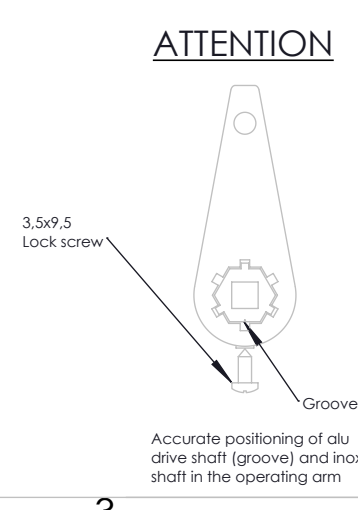


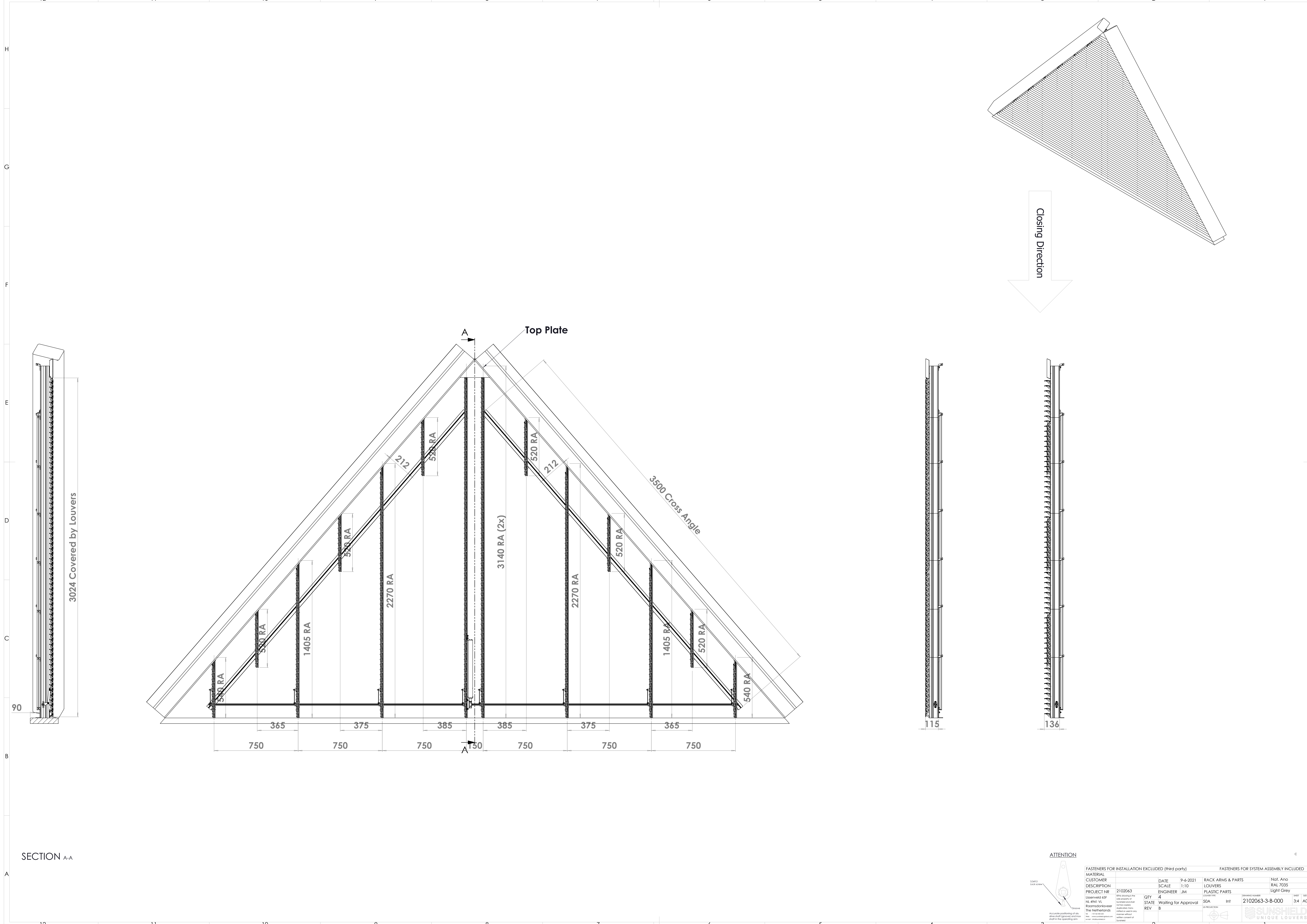


ITEM NO.	QTY.	SW-File Name (File Name)	DESCRIPTION	Comment 2
1	2	2102063-3-B-100	Heavy Duty Rack Arm, 80 mm, Pitch 90 mm (10) Assembled	L=540; Pitch 90 (10)
2	*50*	901	DIN 933 Hexagon Head Bolt M6x16	
3	*50*	908	DIN 125-1A Plain Washer M6	
4	*50*	910	DIN 934 Hexagon Nut M6	
5	*50*	911	DIN 6798-A Lock washer M6	
6	8	2102063-1-B-302	Angle bracket 60x40x4 mm, lg=20mm (part only)	L=20
7	1	2102063-3-B-501	Drive Shaft	L=2375
8	*2*	939	DIN 7981 Panhead screw 3,5 x 9,5	
9	1	58 992 99 11	Interior Motor kit for 6:1 Hard Wired	L=515 (Motor Tube)
10	1	28 102	Somfy LS40 VULCAN Motor 13/10/230V, 3m white cable	
11	2	2102063-3-B-100	Heavy Duty Rack Arm, 80 mm, Pitch 90 mm (10) Assembled	L=540; Pitch 90 (10)
12	2	2102063-3-B-100	Heavy Duty Rack Arm, 80 mm, Pitch 90 mm (10) Assembled	L=540; Pitch 90 (10)
13	2	2102063-3-B-100	Heavy Duty Rack Arm, 80 mm, Pitch 90 mm (10) Assembled	L=540; Pitch 90 (10)
14	67	2102063-3-B-401	Louver 50A	L=5430
15	1	2102063-3-B-502	Drive Shaft	L=2260
16	14	2102063-3-B-301	Angle bracket 60x40x4 mm, lg=20mm (part only)	L=20
17	6	2102063-3-B-100-Slave	Heavy Duty Rack Arm, 80 mm, Pitch 90 mm (10) Assembled	L=520; Pitch 90 (10)
18	2	2102063-3-B-701	Cross angle 50x30x3mm, 2 tracks	L=3500
19	14	000000-01-312	Angle Bracket 30x30x3mm, lg=20mm	L=20
20	1	2102063-3-B-302	Top Plate	L=C

FASTENERS FOR INSTALLATION EXCLUDED (third party)					FASTENERS FOR SYSTEM ASSEMBLY INCLUDED				
CUSTOMER	DATE	9-6-2021	RACK ARMS & PARTS	Nat. Ano					
DESCRIPTION	SCALE	1:10	LOUVERS	RAL 7035					
PROJECT NR	ENGINEER	JM	PLASTIC PARTS	Light Grey					
OPERATED BY	QTY	4	STATE	Int	2102063-3-B-000	24	A0		
REVISIONS	REV	B	Waiting for Approval						





3024 Covered by Louvers

Top Plate

3500 Cross Angle

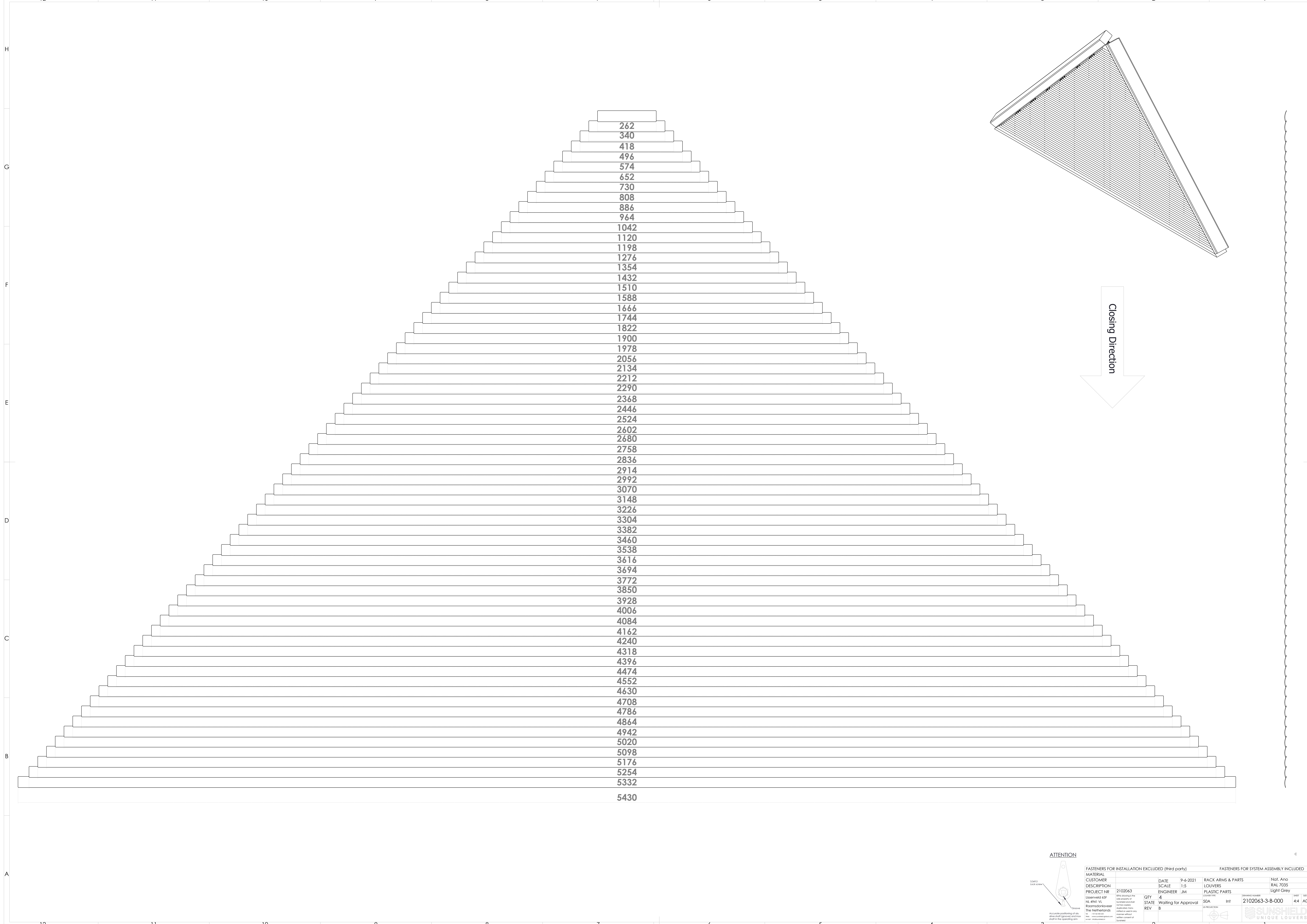
Closing Direction

SECTION A-A

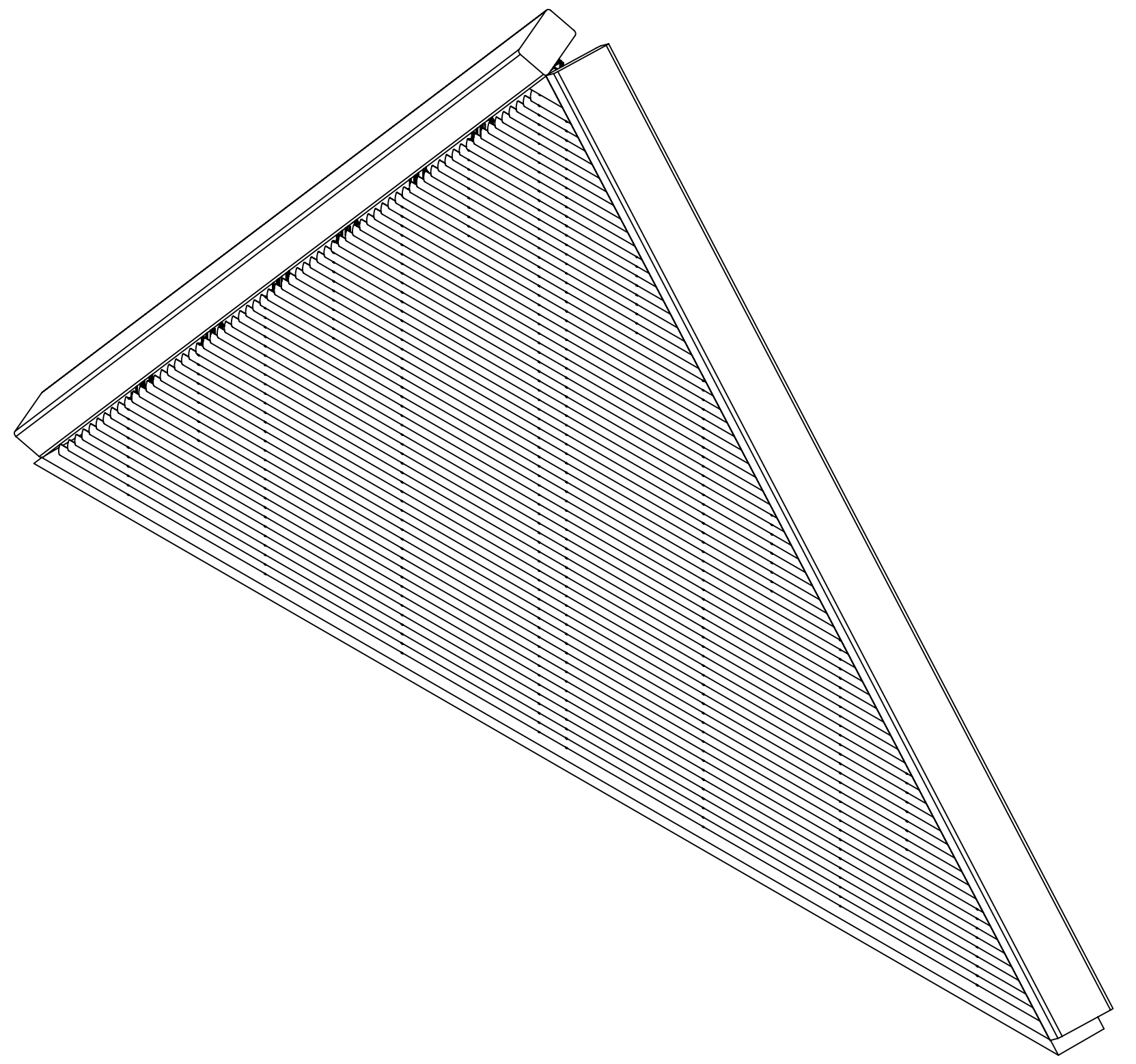
ATTENTION

FASTENERS FOR INSTALLATION EXCLUDED (third party)				FASTENERS FOR SYSTEM ASSEMBLY INCLUDED			
MATERIAL							
CUSTOMER	DATE	9-6-2021	RACK ARMS & PARTS	Not. And			
DESCRIPTION	SCALE	1:10	LOUVERS	RAL 7035			
PROJECT NR	ENGINEER	JM	PLASTIC PARTS	Light Grey			
2102063							
STATEMENTS	QTY	4					
NL 4941 V1	STATE	Int	Waiting for Approval				
08/2019/03/28	REV	B					

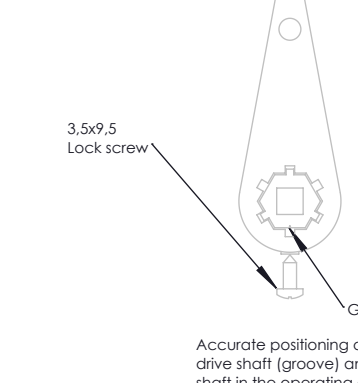




262  
340  
418  
496  
574  
652  
730  
808  
886  
964  
1042  
1120  
1198  
1276  
1354  
1432  
1510  
1588  
1666  
1744  
1822  
1900  
1978  
2056  
2134  
2212  
2290  
2368  
2446  
2524  
2602  
2680  
2758  
2836  
2914  
2992  
3070  
3148  
3226  
3304  
3382  
3460  
3538  
3616  
3694  
3772  
3850  
3928  
4006  
4084  
4162  
4240  
4318  
4396  
4474  
4552  
4630  
4708  
4786  
4864  
4942  
5020  
5098  
5176  
5254  
5332  
5430



**ATTENTION**



FASTENERS FOR INSTALLATION EXCLUDED (third party)				FASTENERS FOR SYSTEM ASSEMBLY INCLUDED			
MATERIAL							
CUSTOMER	DATE	9-6-2021	RACK ARMS & PARTS	Not. Ano			
DESCRIPTION	SCALE	1:5	LOUVERS	RAL 7035			
PROJECT NR	2102063	ENGINEER	JM	PLASTIC PARTS	Light Grey		
Quantity	4	STATE	Waiting for Approval	50A	Int	2102063-3-B-000	4/4 A0
REV	B						

