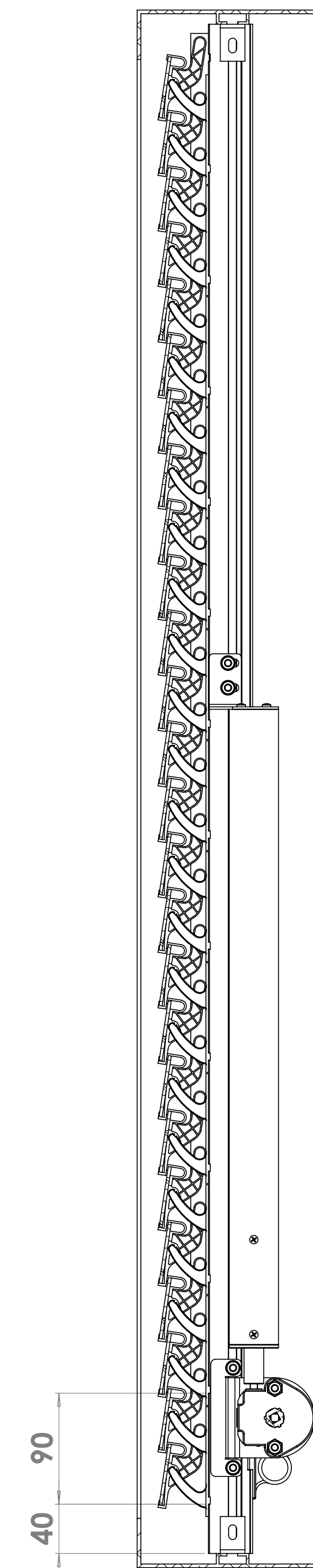
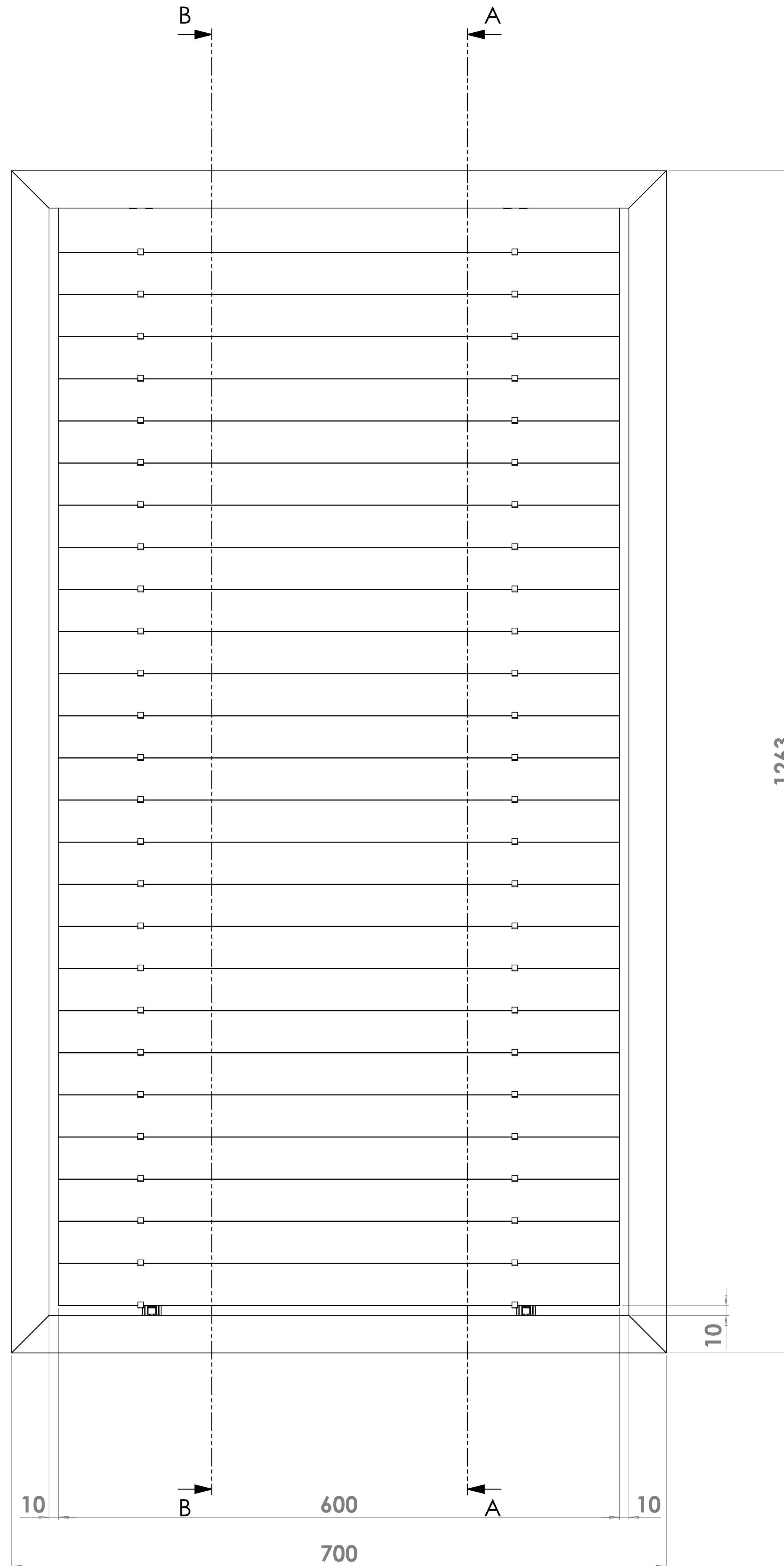
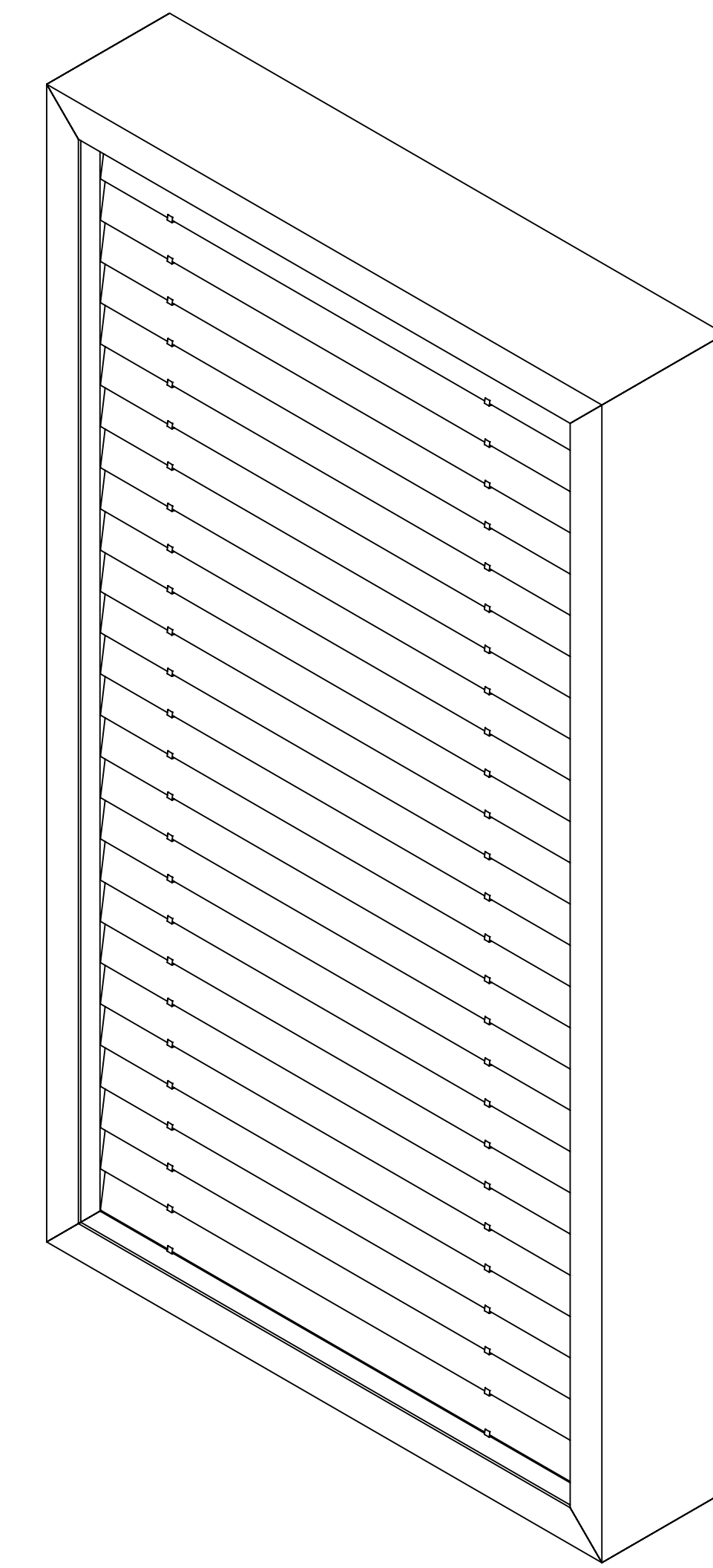


SECTION B-B



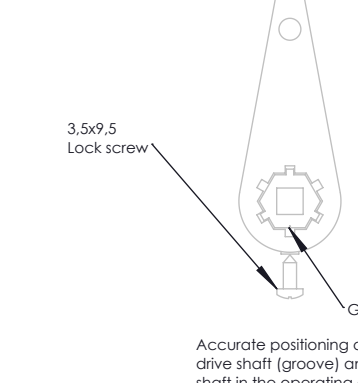
SECTION A-A



50W (Louvers & Motor Excluded)

ITEM NO.	QTY.	SW-File Name (File Name)	DESCRIPTION	Comment 2
1	2	2112004-02-100	Standard Rack Arm, 35 mm, Assembled; Pitch 90 (40)	L=1240; Pitch 90 (40)
2	1	58 992 99 11	Interior Motor kit for 6:1 Hard Wired	L=515 (Motor Tube)
3	1	2112004-02-501	Drive Shaft 14/7 mm; Standard	L=380
4	2	2112004-02-702	Fascia 155, 40x155x40 mm	L=700
5	2	2112004-02-703	Fascia 155, 40x155x40 mm	L=1263
6	4	000000-01-312	Angle Bracket 30x30x3mm, lg=20mm	L=20
7	4	10 175	Fascia 155 Corner Coupler, 100x100x4mm (lg=30 mm)	L=30 ⁵

ATTENTION



FASTENERS FOR INSTALLATION EXCLUDED (third party)				FASTENERS FOR SYSTEM ASSEMBLY INCLUDED			
CUSTOMER	DATE	9-12-2021	RACK ARMS & PARTS	Mat. Ano			
DESCRIPTION	SCALE	1:3	LOUVERS	Mat. Ano			
PROJECT NR	ENGINEER	SD	PLASTIC PARTS	Light Gray			
2112004							
STATE	QTY	155E/50W					
Waiting for Approval	REV	B					

