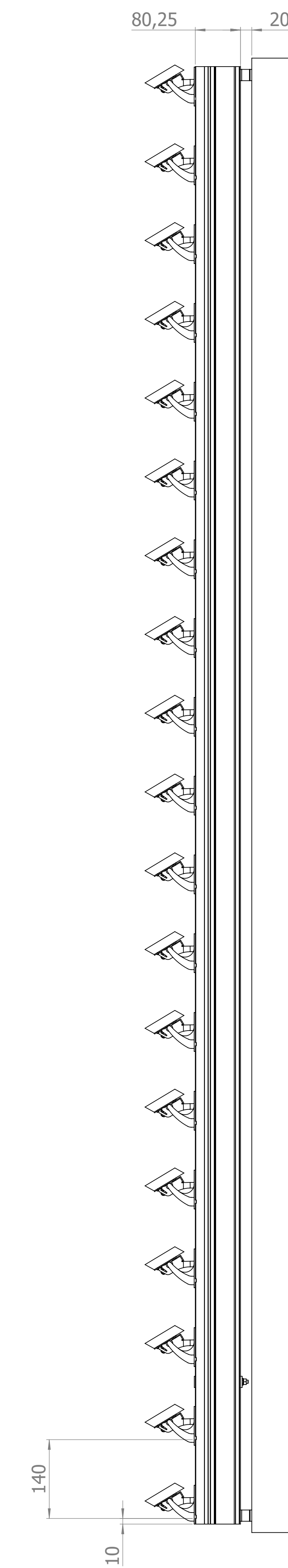
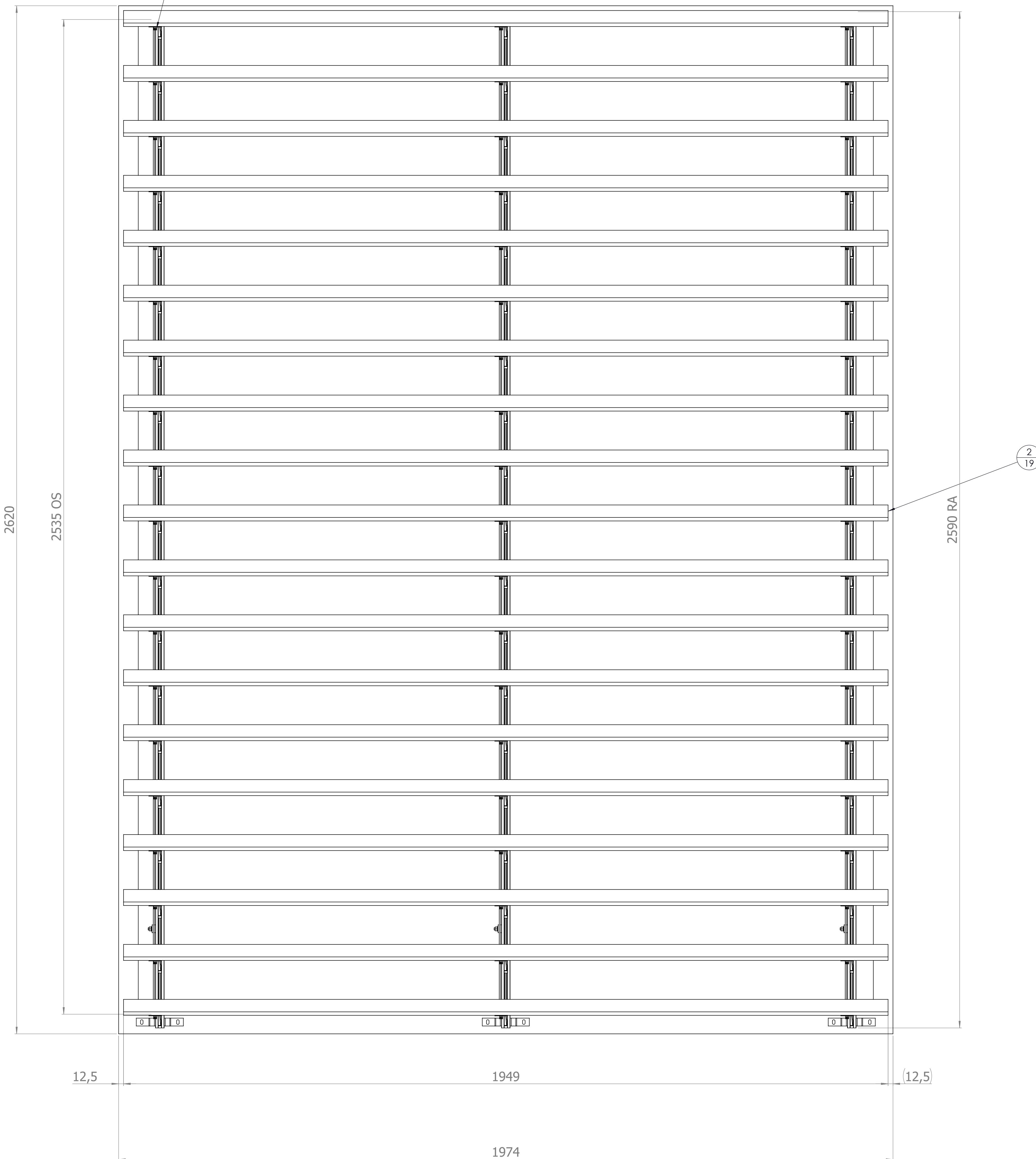


217,75
(Distance fixing bracket
Bottom OS to center bracket
For all RA's)



ITEM NO.	QTY.	SW-Part Number	DESCRIPTION	Comment 2
1	3	180308-00-110	Heavy Duty Rack Arm, 80 mm, Pitch 140 (10) Assembled	L=2590
2	19	180308-130-68W	Louver 68W	L=1949
3	6	901 06 16	DIN 933 Hexagon Head Bolt M6x16	
4	6	908 06	DIN 125-1A Plain Washer M6	
5	6	910 06	DIN 934 Hexagon Nut M6	
6	6	911 06	DIN 6798-A Lock washer M6	

FASTENERS FOR INSTALLATION EXCLUDED (third party)				FASTENERS FOR SYSTEM ASSEMBLY INCLUDED			
CUSTOMER	DATE	6-4-2020	RACK ARMS & PARTS	RAL 7021-70%			
DESCRIPTION	SCALE	1:5	LOUVERS	Douglas, Black			
ORDERNUMBER	ENGINEER	SD	PLASTIC PARTS	Black			
180308-F2			68W	180308-130-000			
QTY.	REV 01						
02							
03							
04							
2							

Status Released

Nummer 13; Achtergevel (1 stuks)

