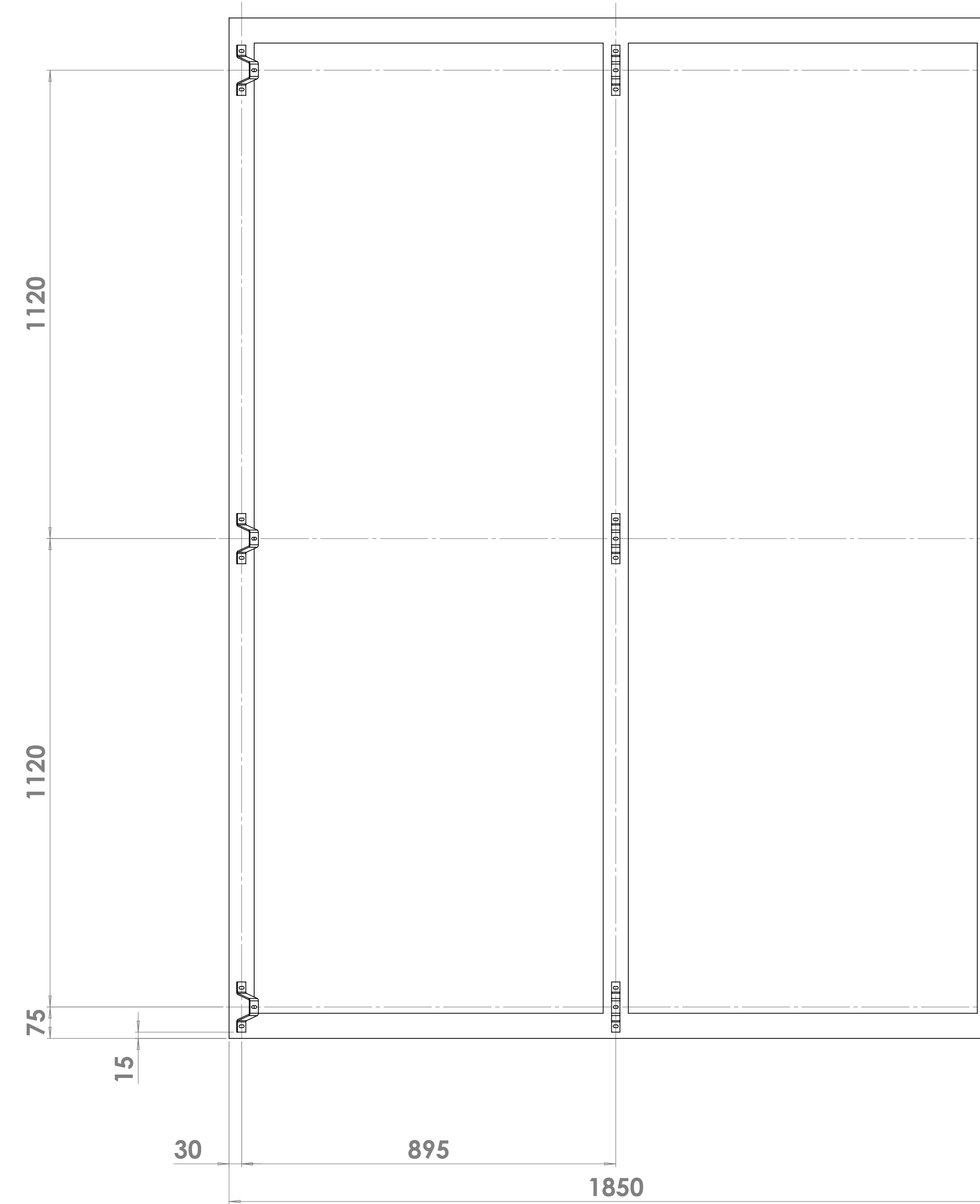
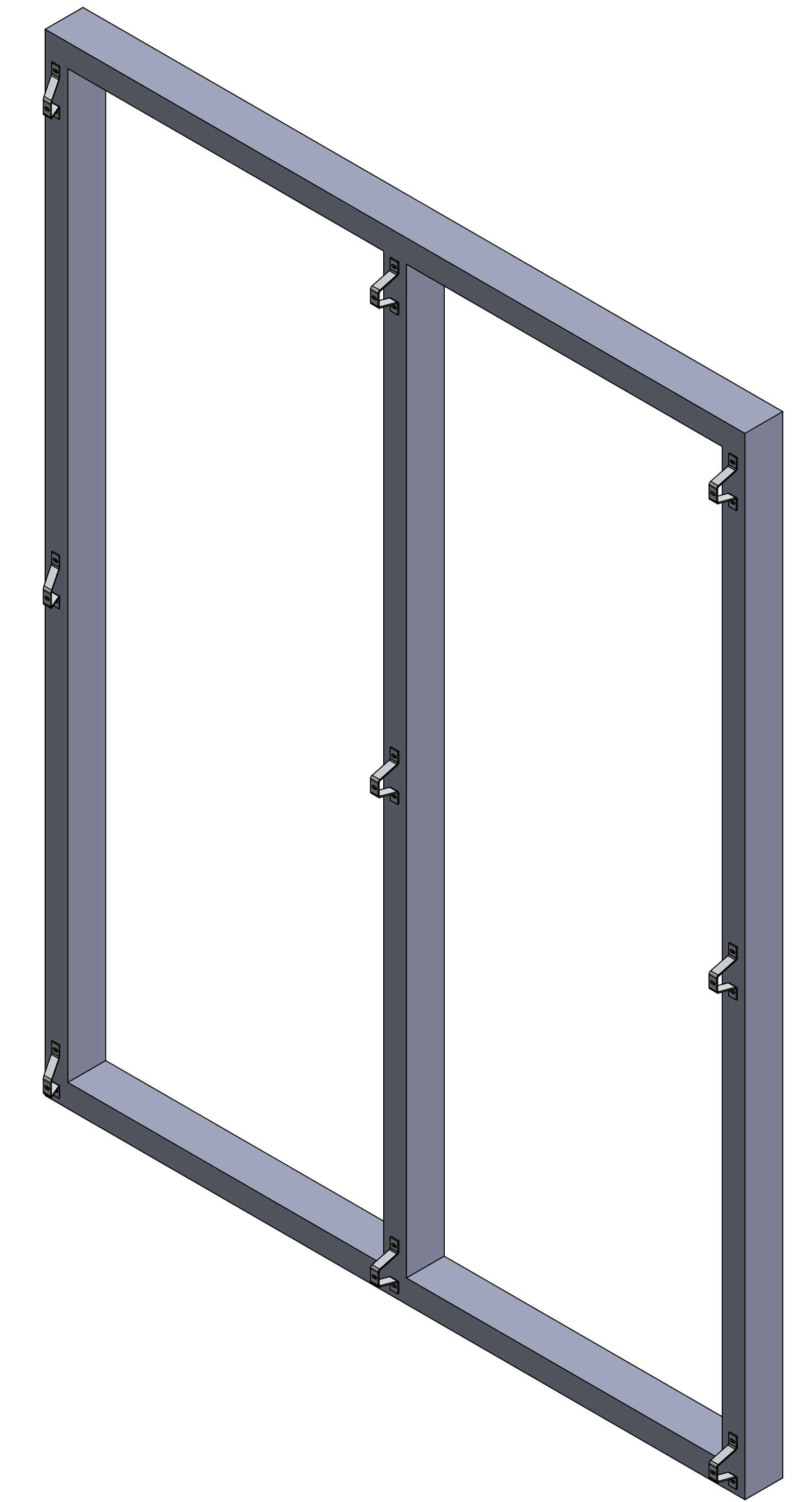
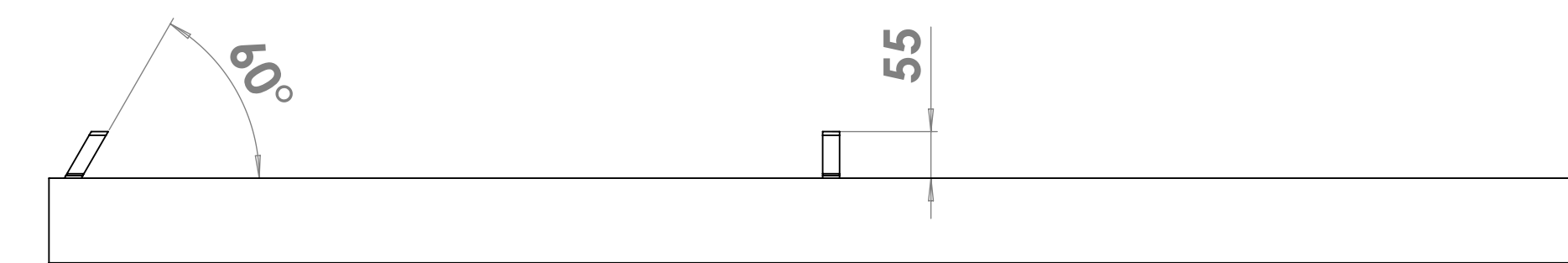


Window frame

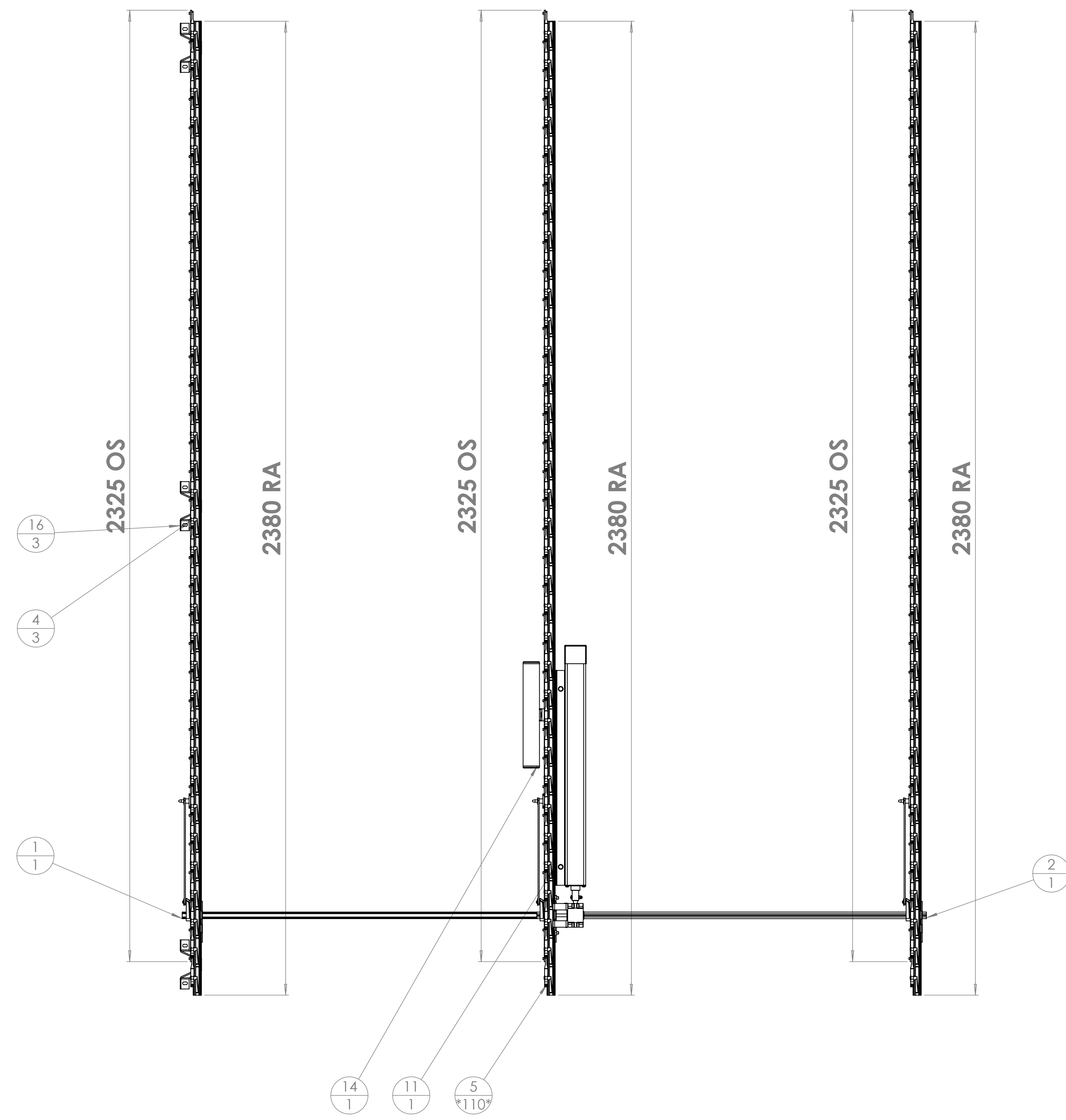
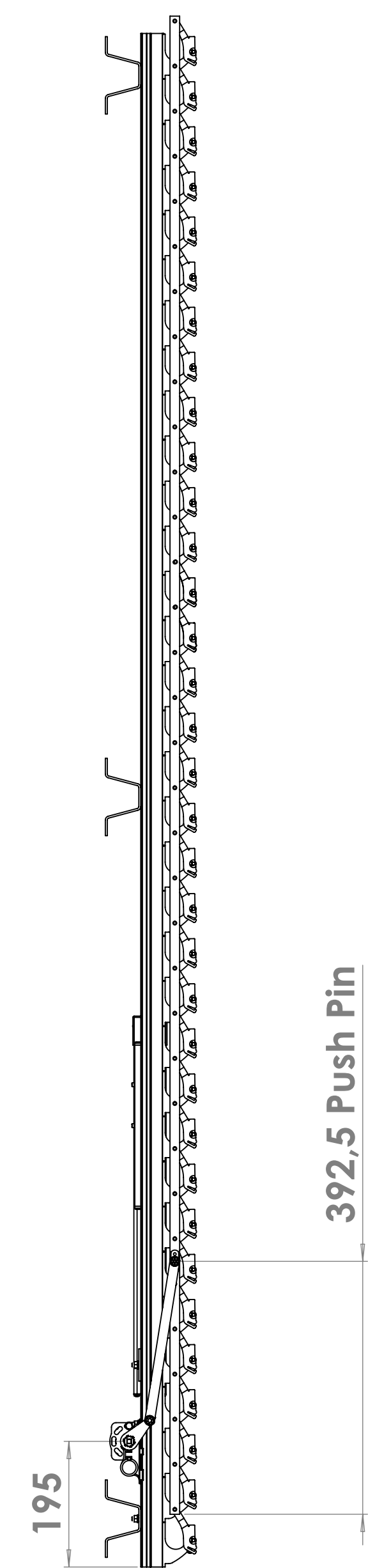


Window frame with brackets

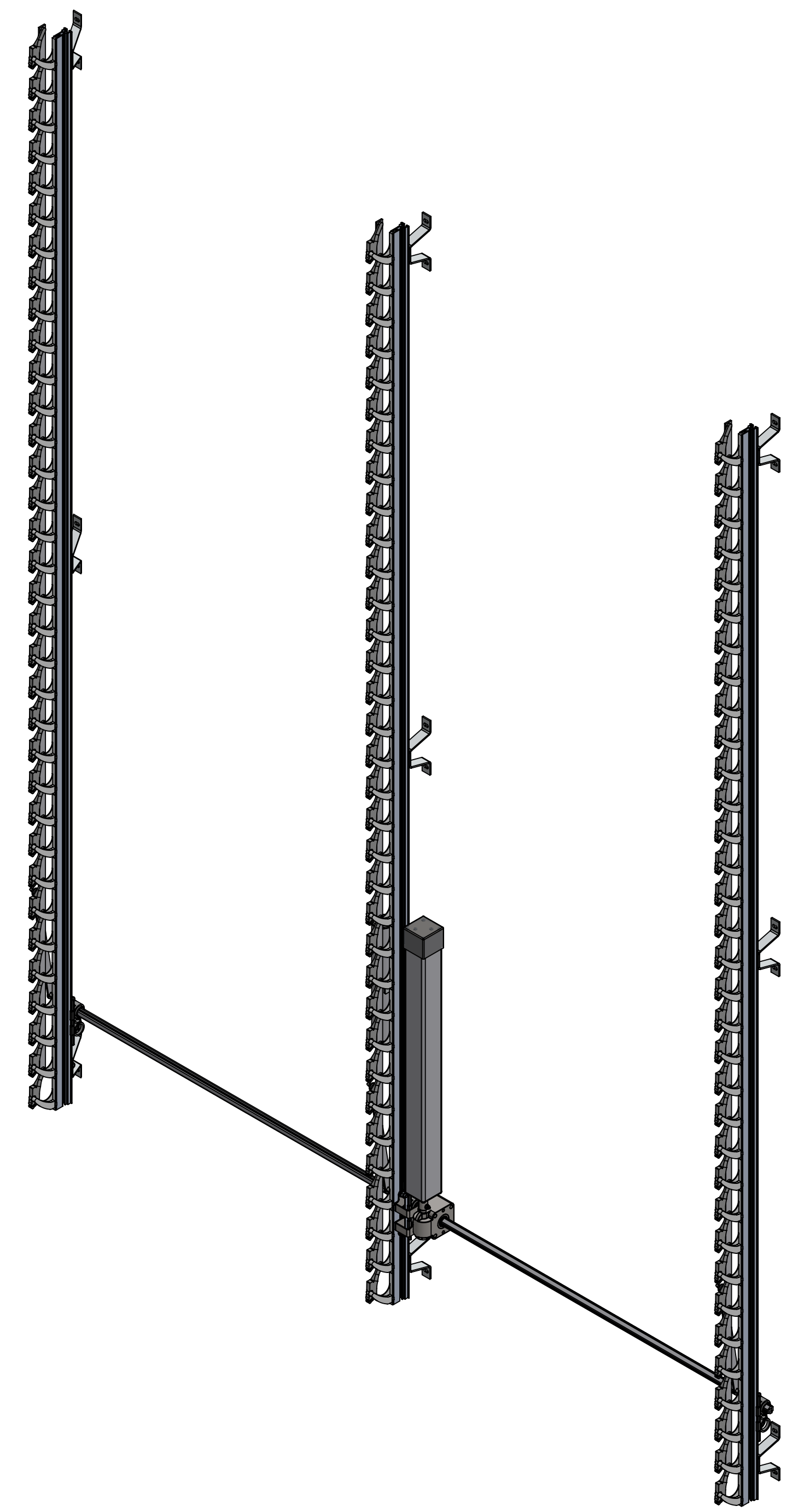
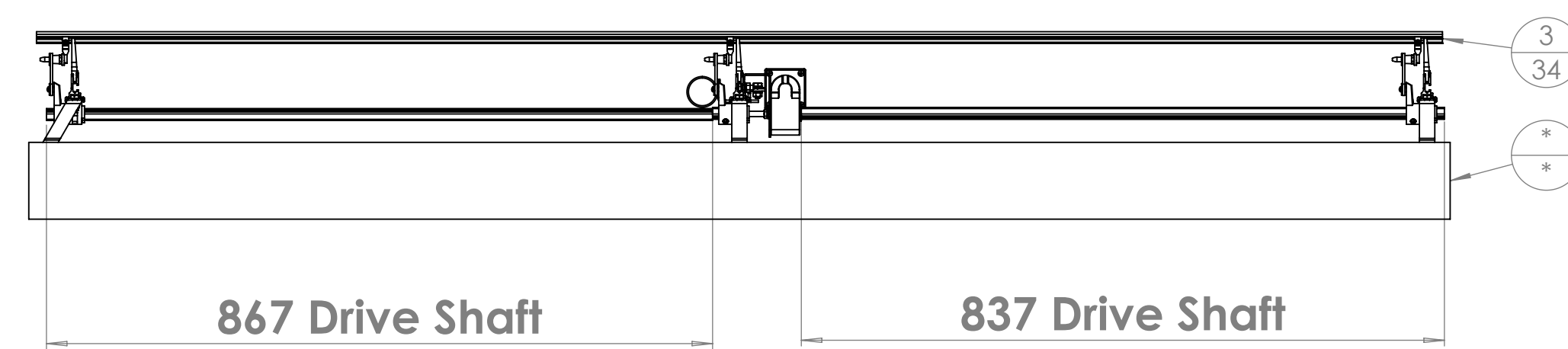
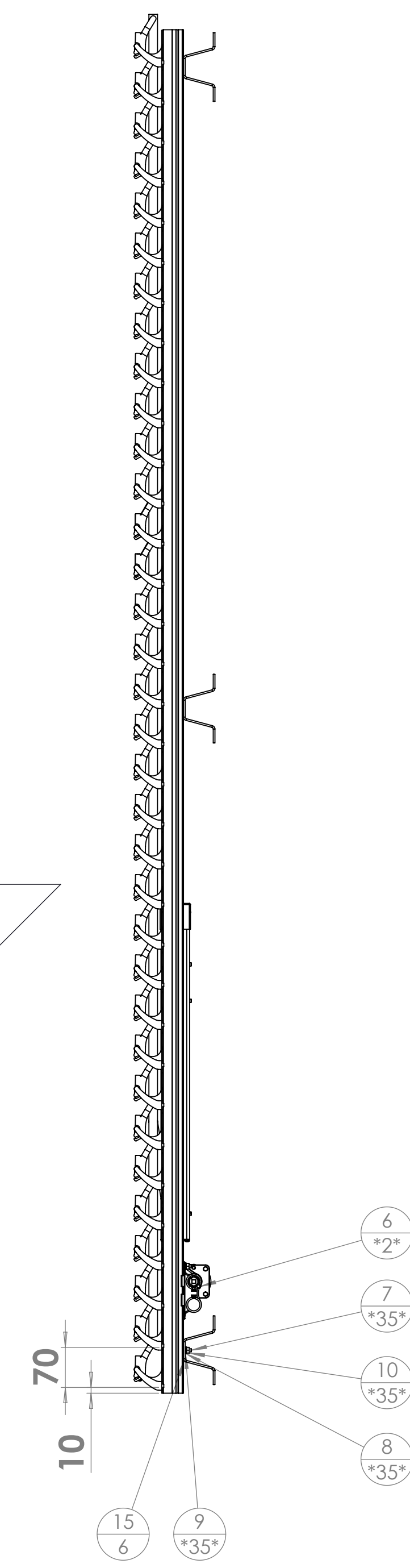


FASTENERS FOR INSTALLATION EXCLUDED (third party)				FASTENERS FOR SYSTEM ASSEMBLY INCLUDED			
CUSTOMER	DATE	5-8-2021	RACK ARMS & PARTS	RAL 9010 30%			
DESCRIPTION	SCALE	1:7.5	LOUVERS	RAL 9010 30%			
PROJECT NR	ENGINEER	JM	PLASTIC PARTS	White			
2107030							
2107030	QTY	Under Editing	7SE	Ext	2107030-03-000	1:4	A0
NI 4941 V1	STATE						
Revised/Order/Rev	REV	A					
the Netherlands							
www.sunshield.nl							



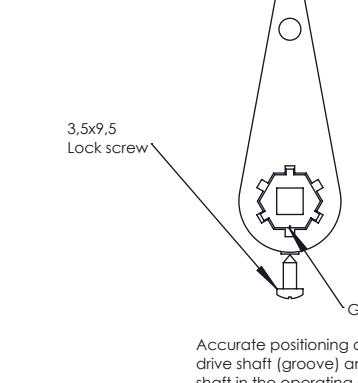


Closing Direction



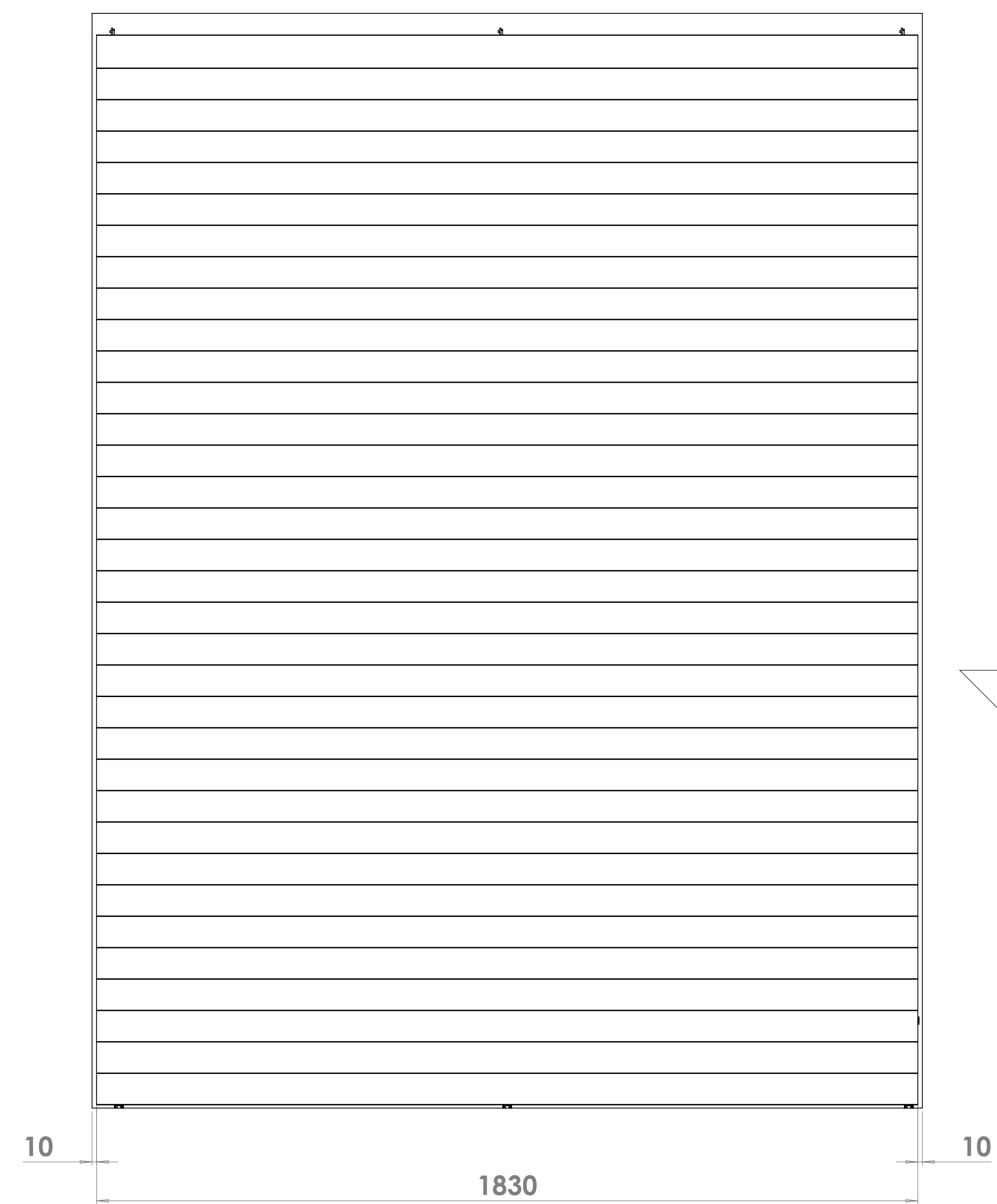
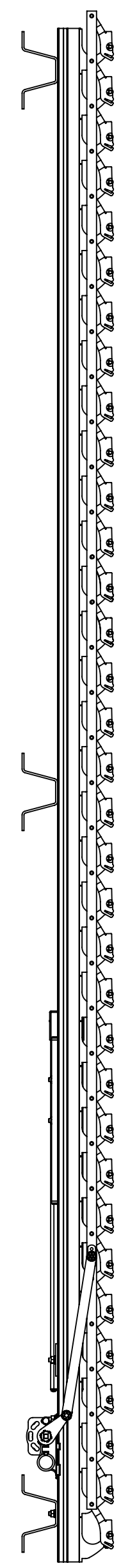
ITEM NO.	QTY.	SW-File Name (File Name)	DESCRIPTION	Comment 2
1	1	2107030-03-502	Drive Shaft 14/7 mm; Standard	L=867
2	1	2107030-03-501	Drive Shaft 14/7 mm; Standard	L=837
3	34	2107030-03-401	75E Louver	L=1830
4	3	07 035 AS 88E	Standard Rack Arm, 35 mm, Pitch 70 (10) Assembled	L=2380; Pitch 70 (10)
5	*110°	939	DIN 7981 Panhead screw 3.5 x 13	
6	*2°	939	DIN 7981 Panhead screw 3.5 x 9.5	
7	*35°	901	DIN 933 Hexagon Head Bolt M6x16	
8	*35°	908	DIN 125-1A Plain Washer M6	
9	*35°	911	DIN 6798-A Lock washer M6	
10	*35°	910	DIN 934 Hexagon Nut M6	
11	1	58 957 99 22	Exterior Motor kit for 7:1 IO/RTS (incl. Motorhood L=580)	L=580 (Motorhood)
12	1	28 143	Somfy SUNEAS SCR 40 IO, 13/10/230V, 5m white cable	
13	1	28 965	Hirschmann Set STAK/STAS-2 (Stak/Stas/clamp)	
14	1	58 988	Stak/Stas Protecting Kit (incl. Tube, Plugs & Bracket) (lg=250mm)	
15	6	58 623	Omega H-55, 29x54x31x54x29 x 3 mm, lg=20mm	L=20
16	3	58 631	Omega H-55, 60°, lg=20mm	L=20 (60°)

ATTENTION

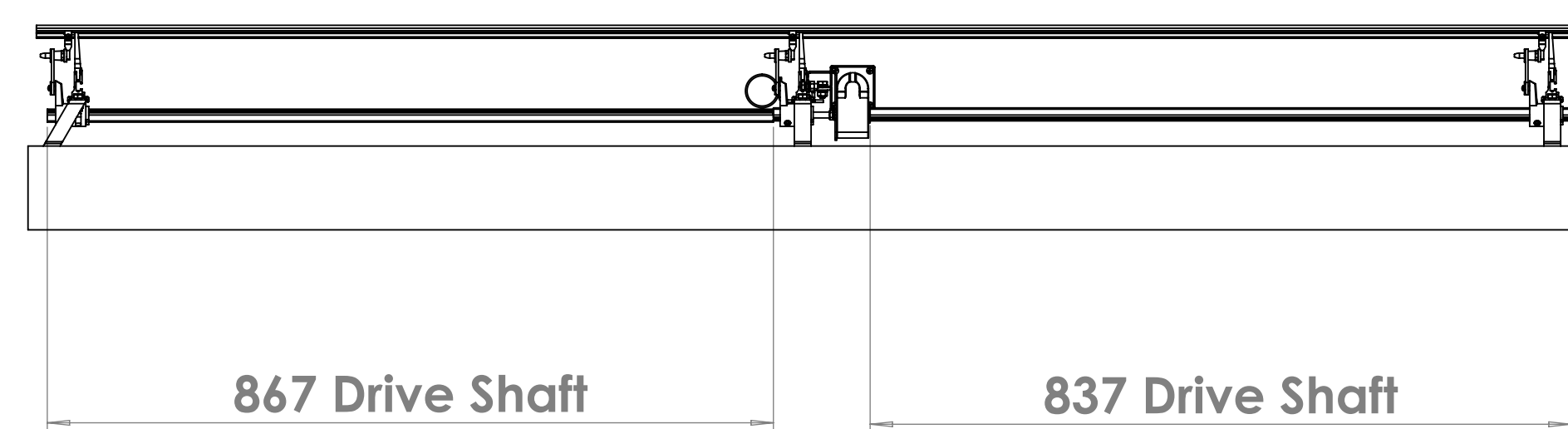
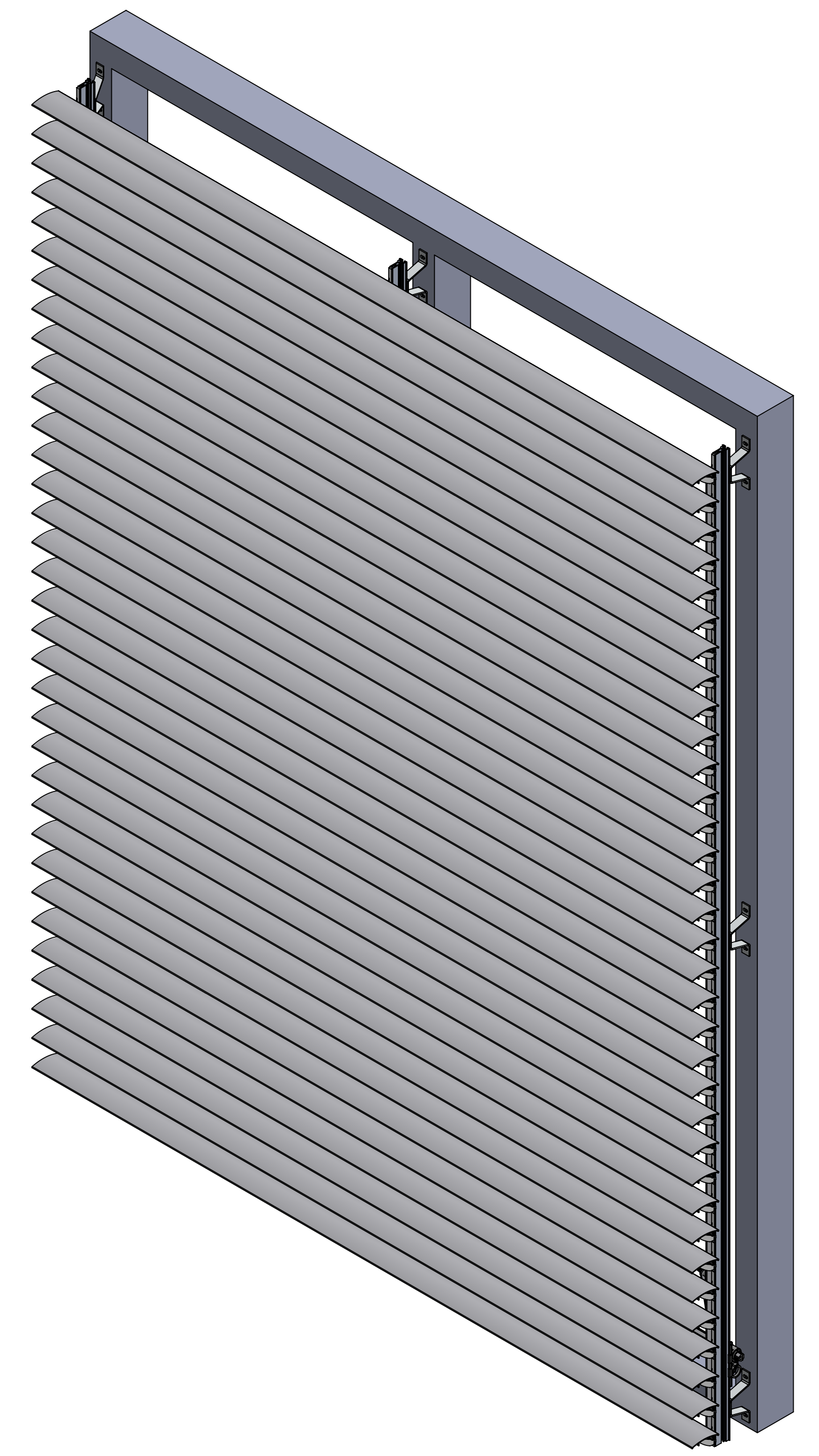
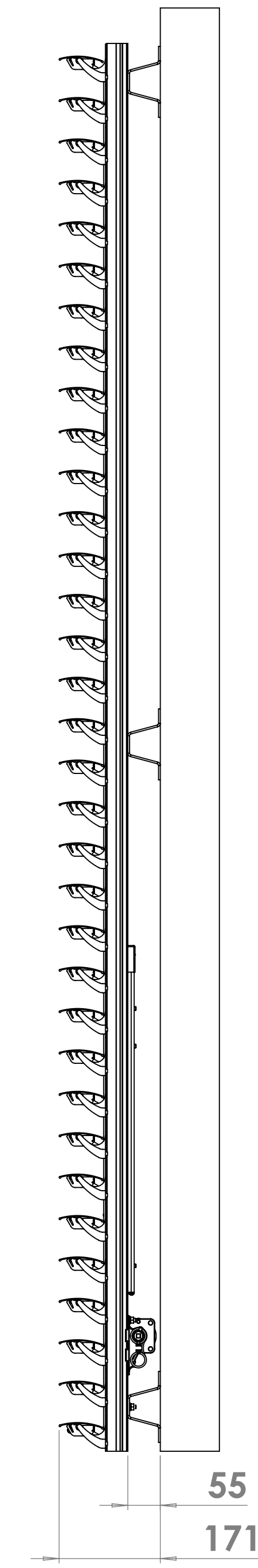
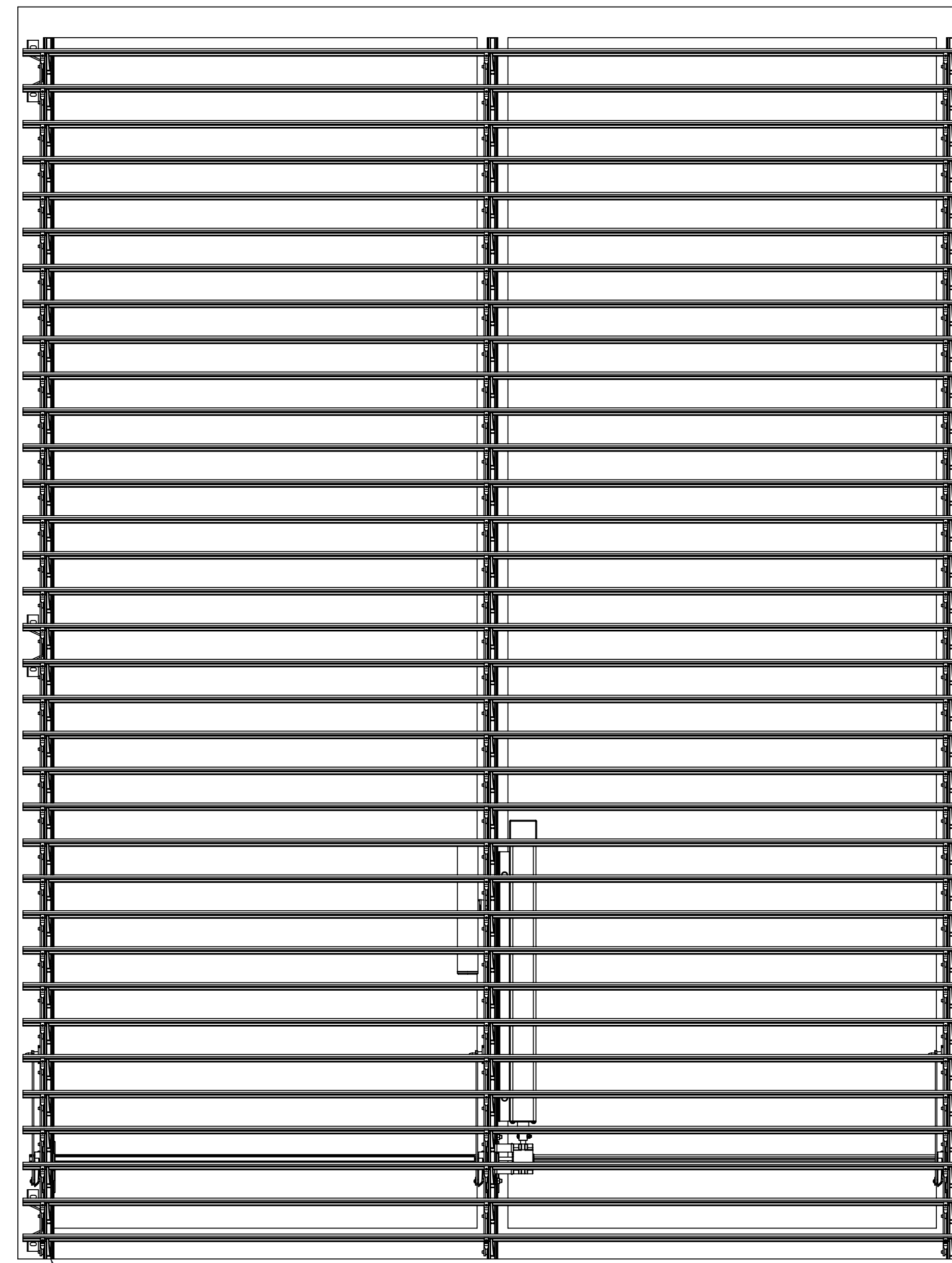
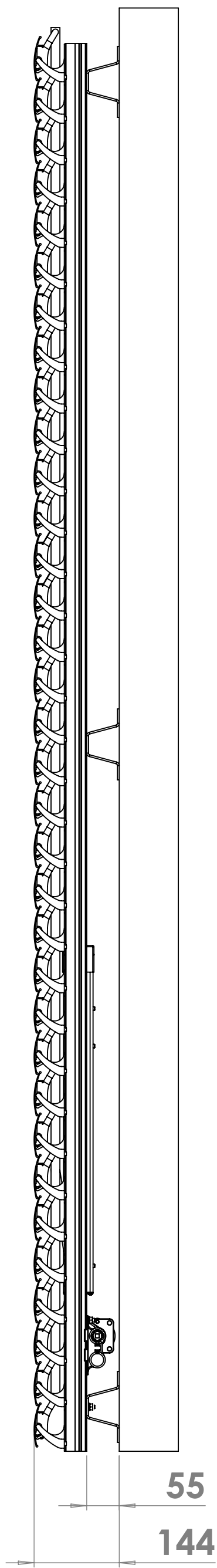


FASTENERS FOR INSTALLATION EXCLUDED (third party)				FASTENERS FOR SYSTEM ASSEMBLY INCLUDED			
CUSTOMER	DATE	5-8-2021	RACK ARMS & PARTS	RAL 9010 30%			
DESCRIPTION	SCALE	1:7.5	LOUVERS	RAL 9010 30%			
PROJECT NR	ENGINEER	JM	PLASTIC PARTS	White			
OPERATED FOR	QTY		75E	Ext	2107030-03-000	24	A0
REVISIONS	STATE	Under Editing					
	REV	A					





Closing Direction



FASTENERS FOR INSTALLATION EXCLUDED (third party)				FASTENERS FOR SYSTEM ASSEMBLY INCLUDED			
MATERIAL							
CUSTOMER	DATE	5-8-2021	RACK ARMS & PARTS	RAL 9010 30%			
DESCRIPTION	SCALE	1:7.5	LOUVERS	RAL 9010 30%			
PROJECT NR	ENGINEER	JM	PLASTIC PARTS	White			
2107030							
2107030-03-000	QTY	Under Editing	7SE	Ext	2107030-03-000	34	A0
867 Drive Shaft	STATE						
837 Drive Shaft	REV	A					



