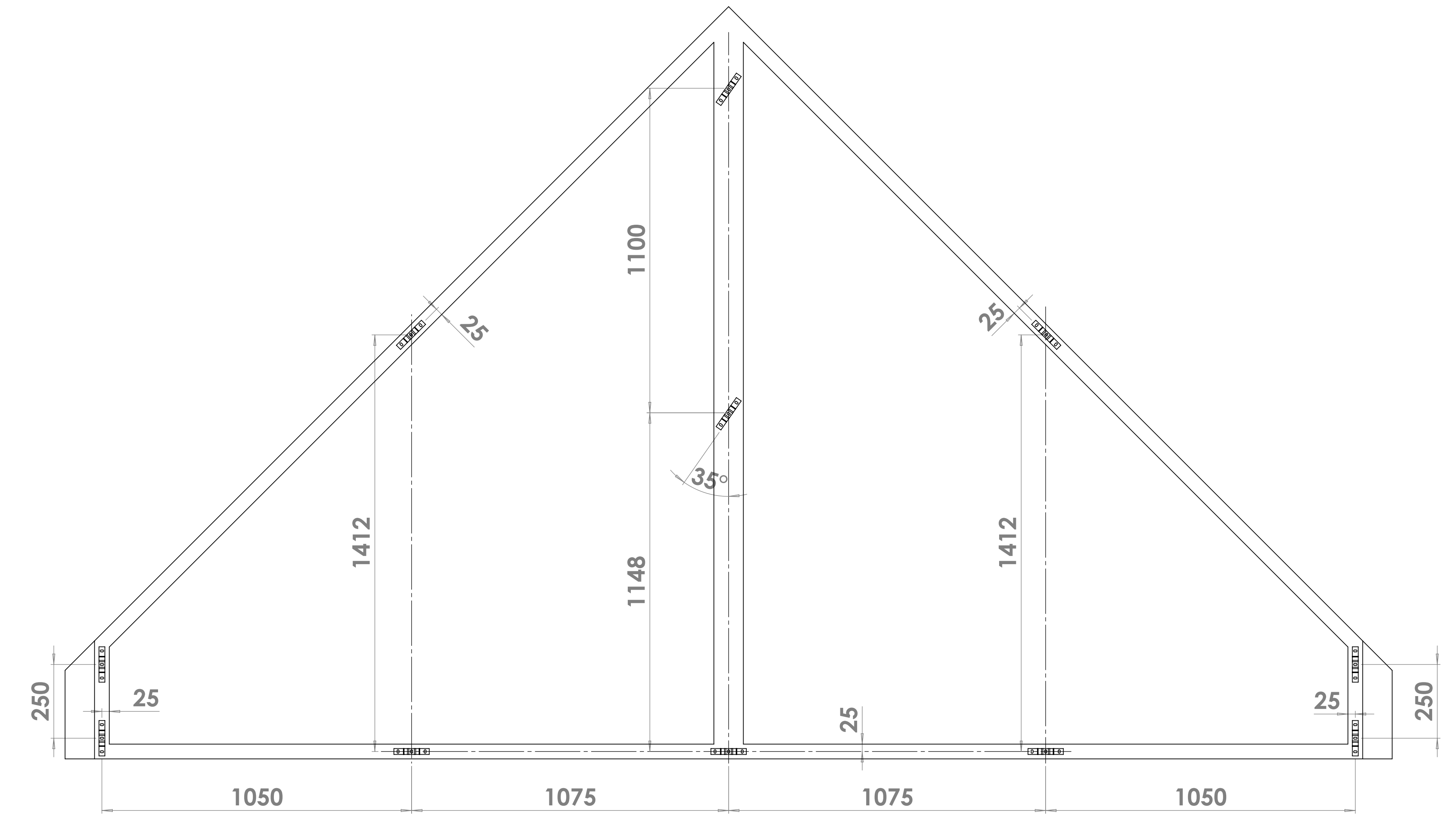
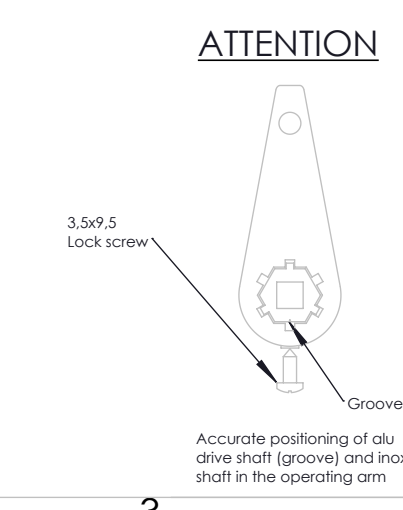
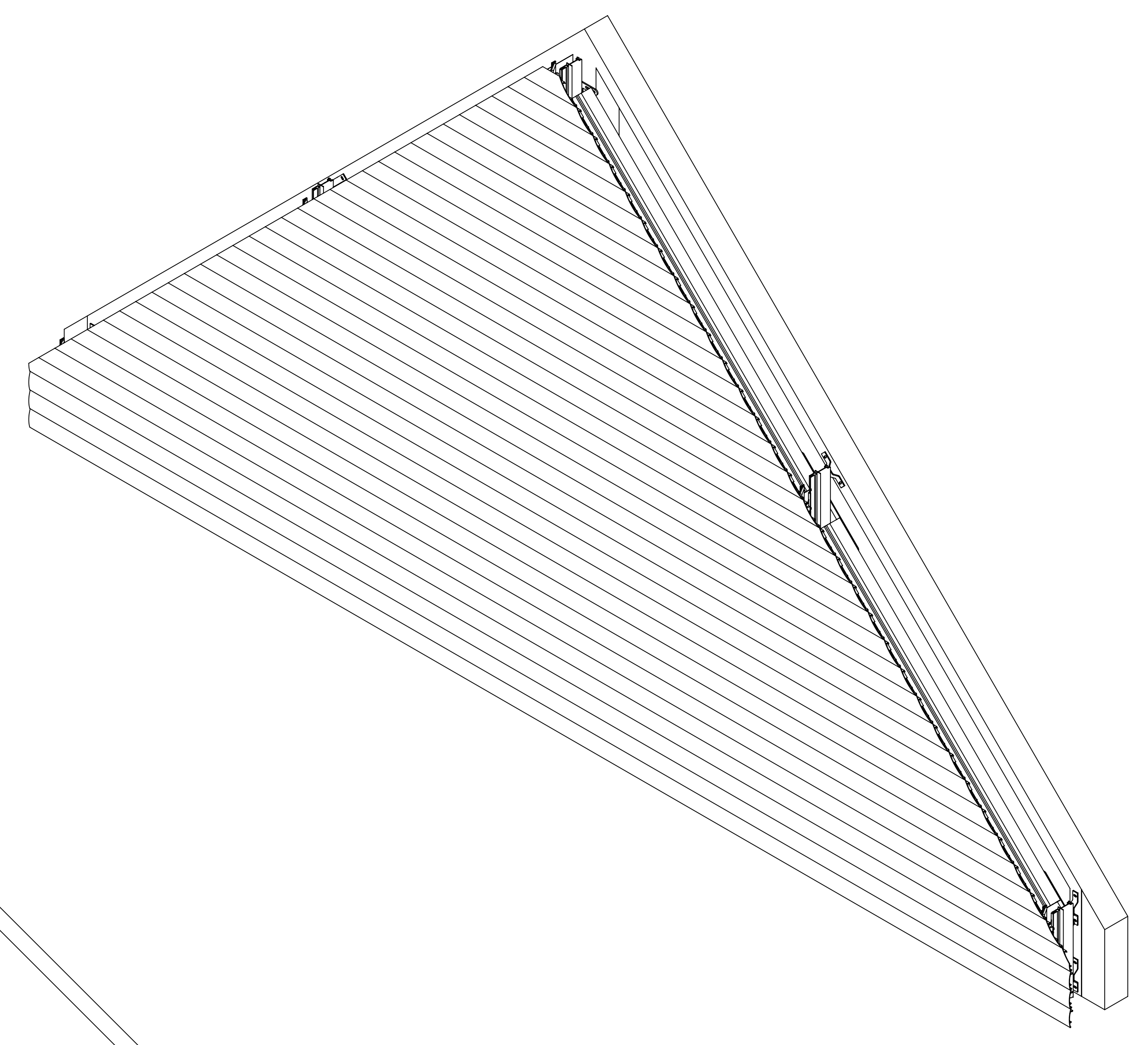


Window Frame

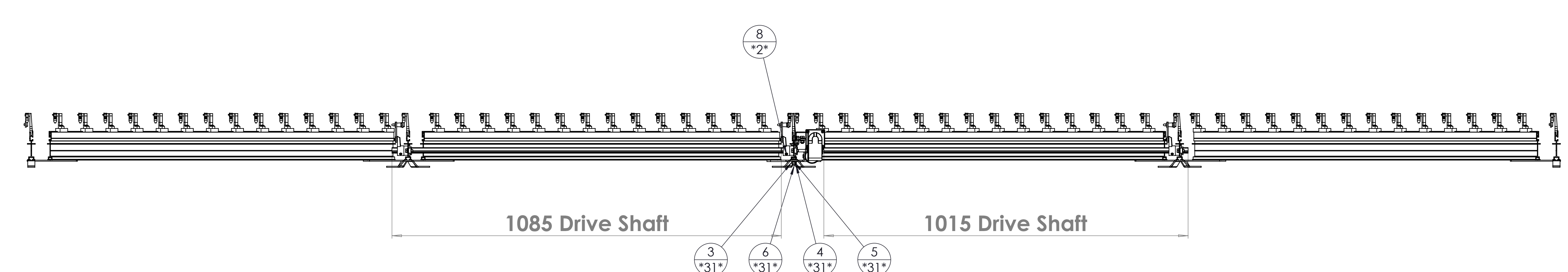
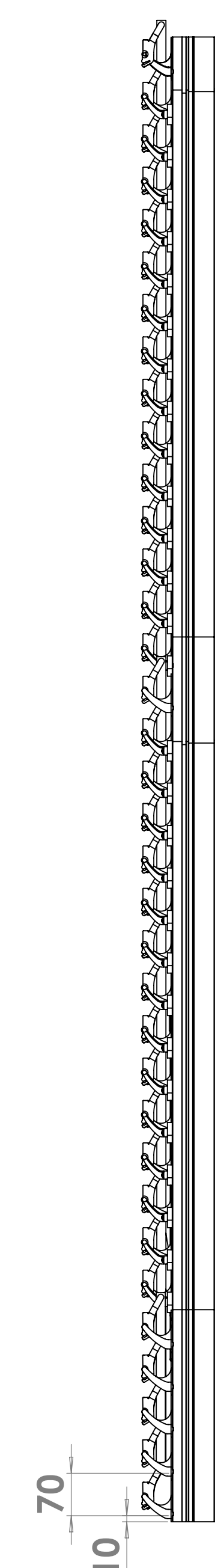
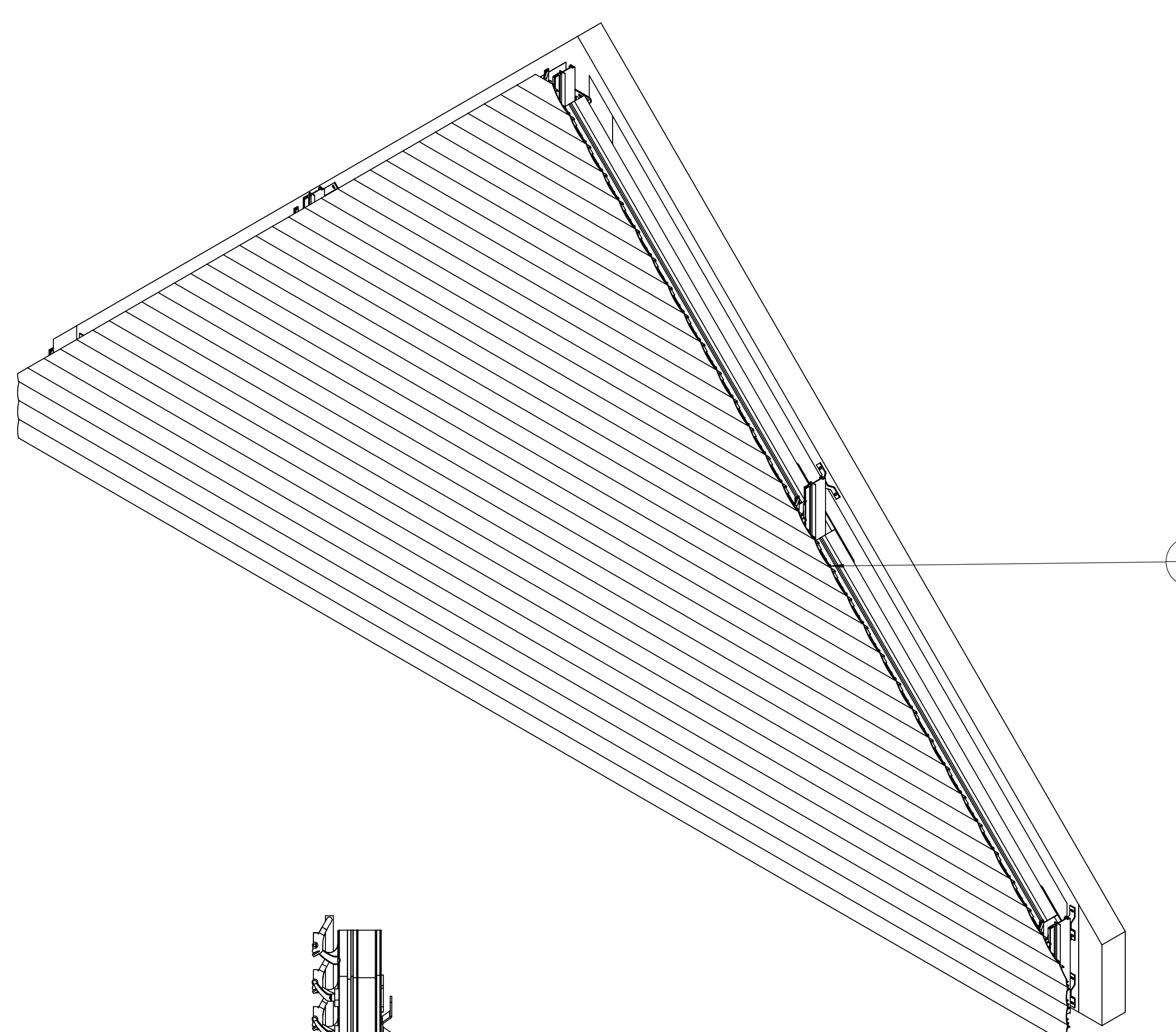
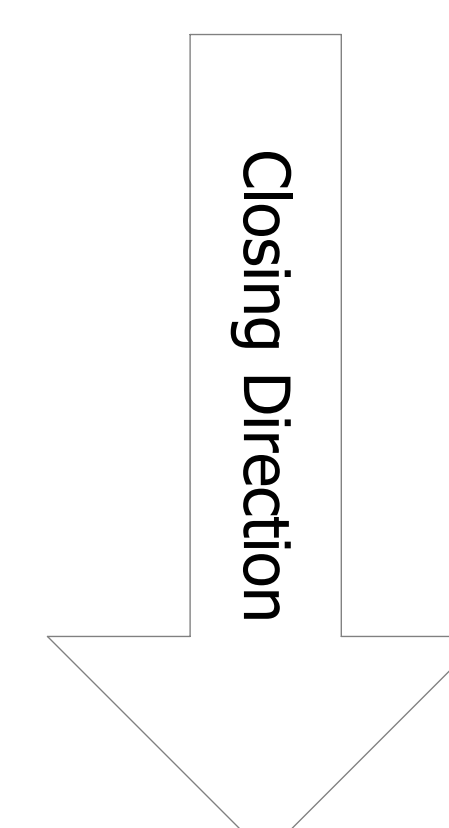
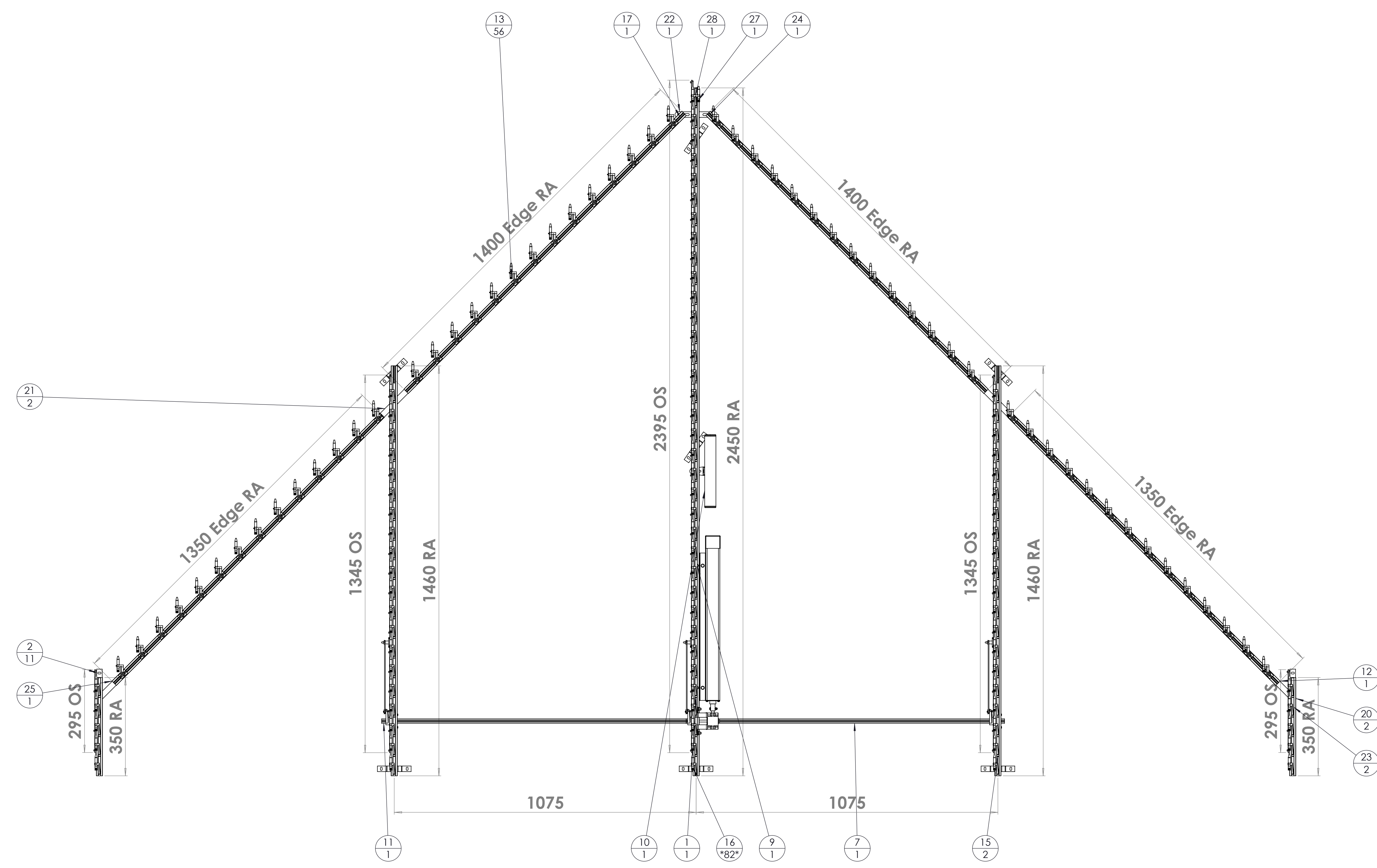
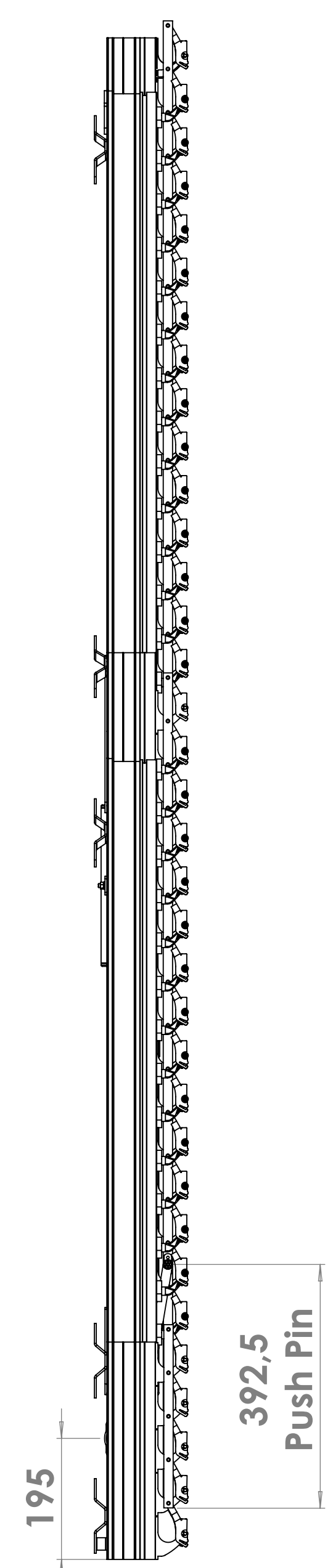


Window Frame with Brackets



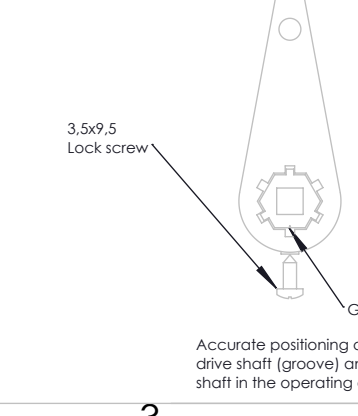
FASTENERS FOR INSTALLATION EXCLUDED (third party)				FASTENERS FOR SYSTEM ASSEMBLY INCLUDED			
MATERIAL				RACK ARMS & PARTS	RAL 1013 30%		
CUSTOMER		DATE	27-5-2021	LOUVERS	RAL 1013 30%		
DESCRIPTION		SCALE	1:10	PLASTIC PARTS	White		
PROJECT NR	2104016	ENGINEER	JM				
Customer's Ref		STATE	Ext				
Project Ref		REV	A				
Quantity	1	QTY	1	75E	2104016-01-000	1:4	A0
Revision		REV	A				
FASTENERS FOR INSTALLATION EXCLUDED (third party) 3.5x3 Lock screw Accurate positioning of the screw is essential for correct operation of the louvers.				FASTENERS FOR SYSTEM ASSEMBLY INCLUDED RACK ARMS & PARTS LOUVERS PLASTIC PARTS 75E 2104016-01-000 1:4 A0			





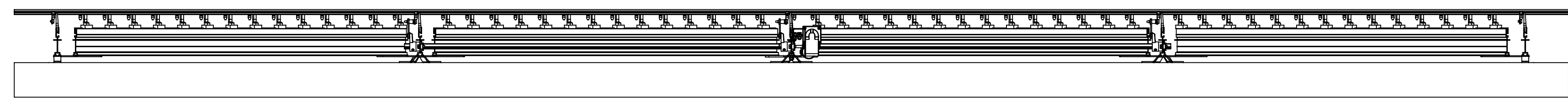
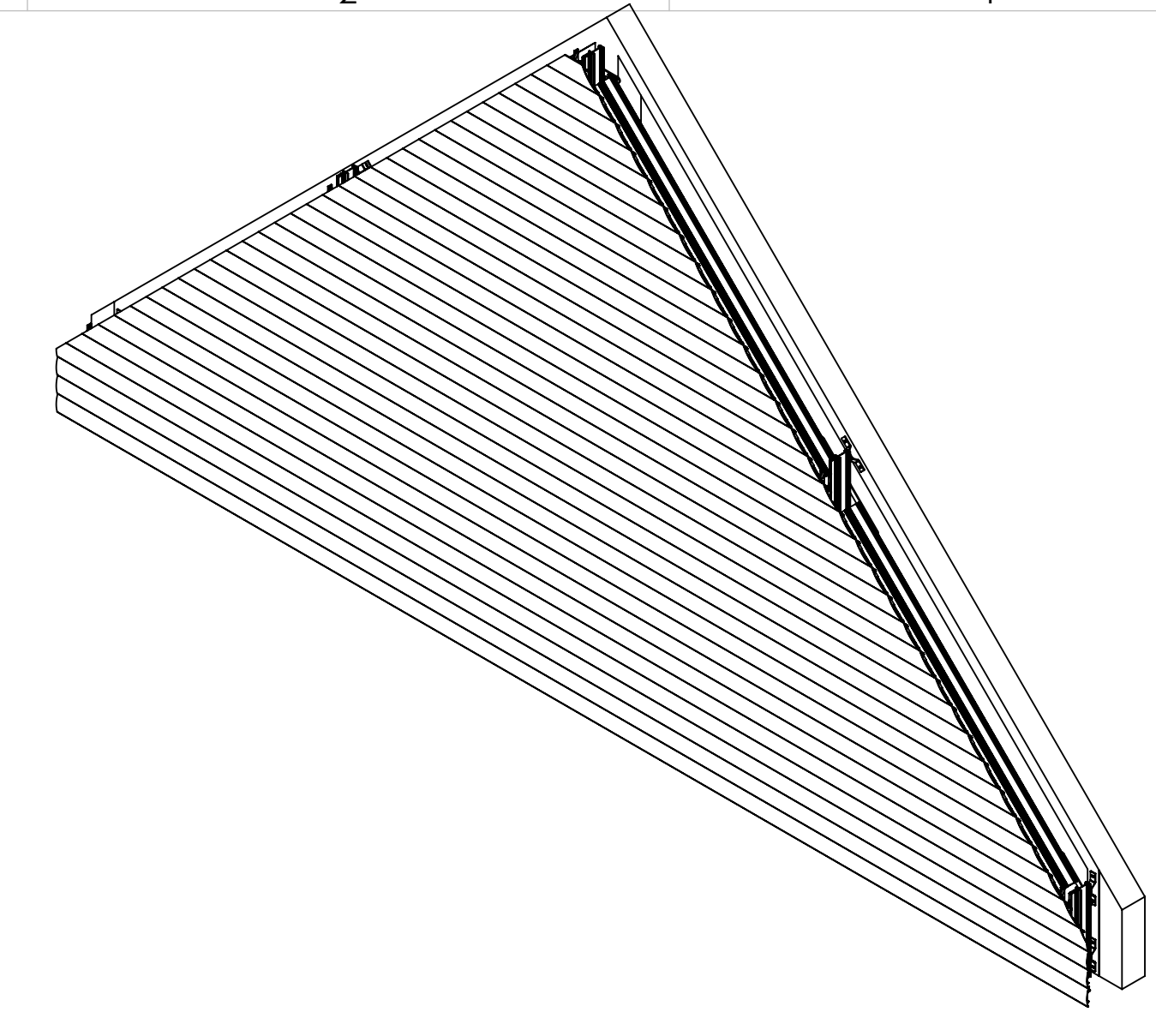
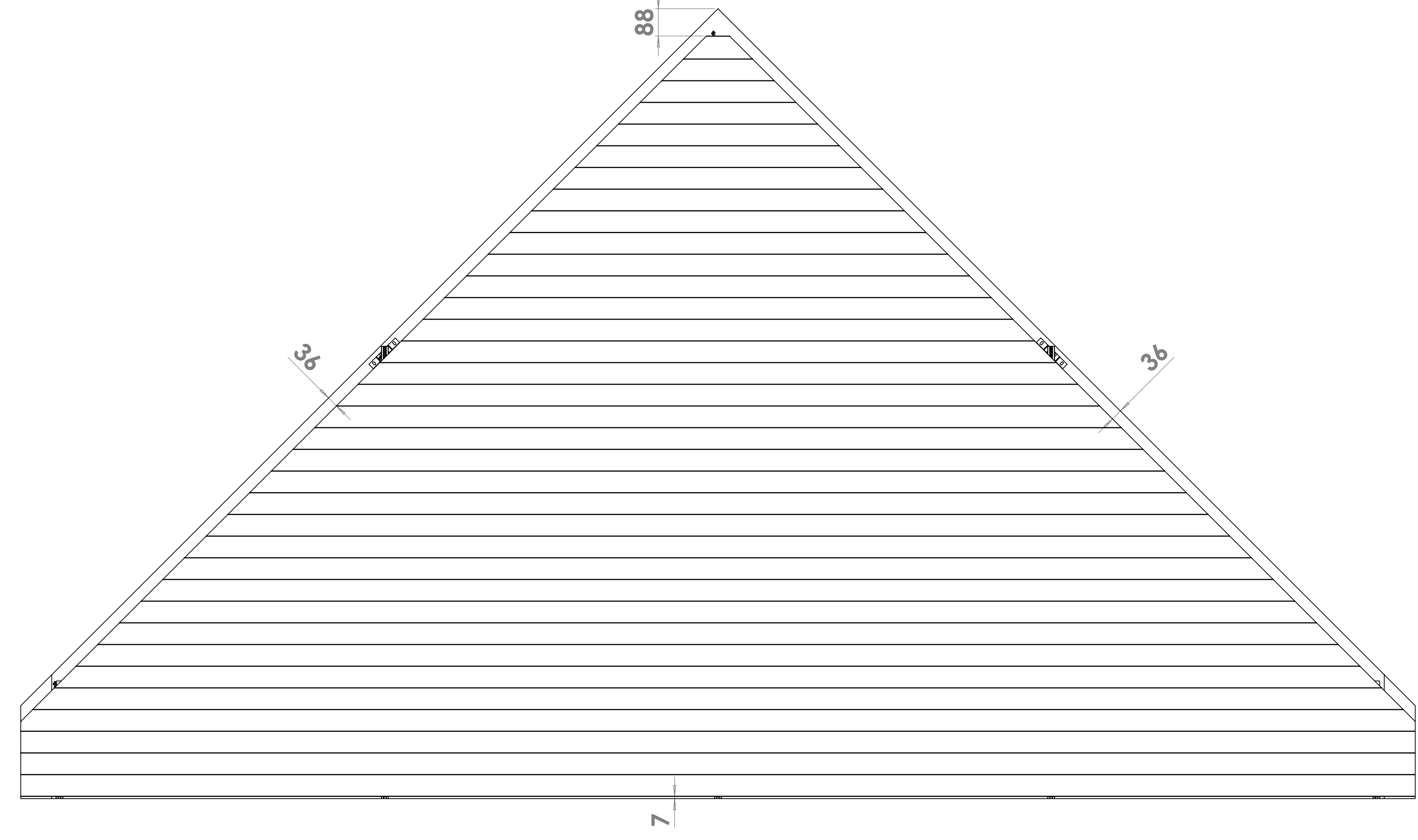
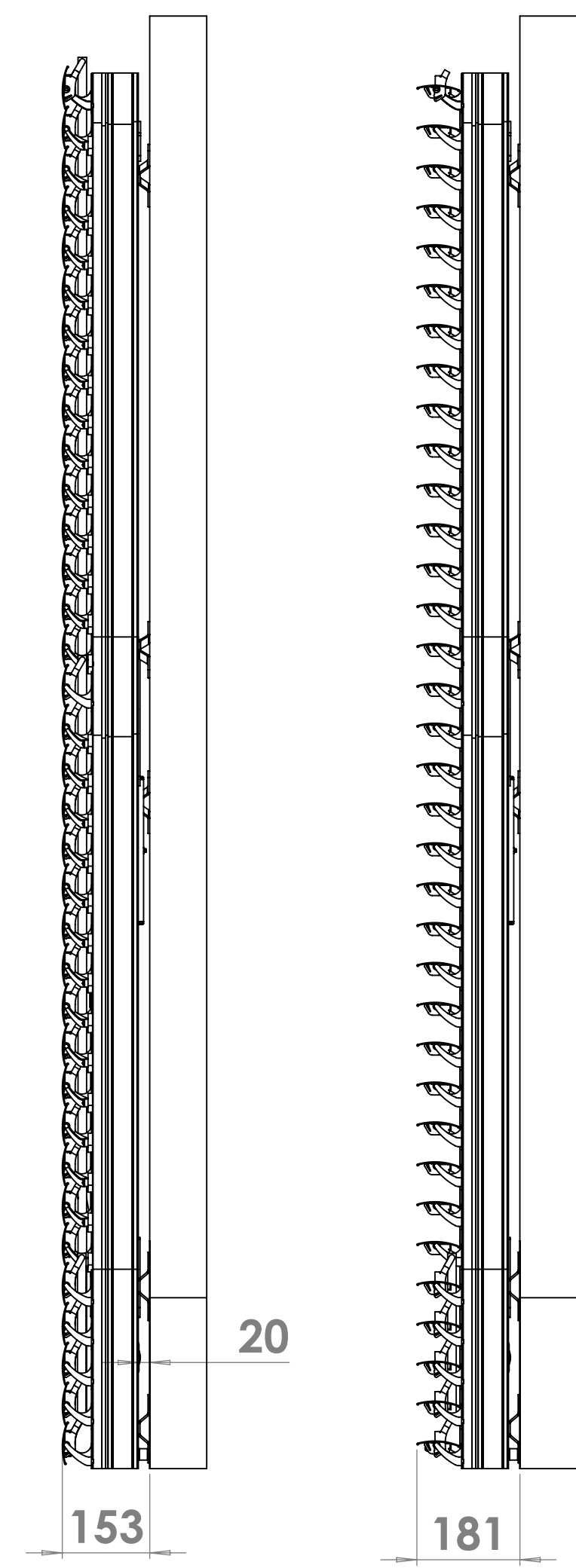
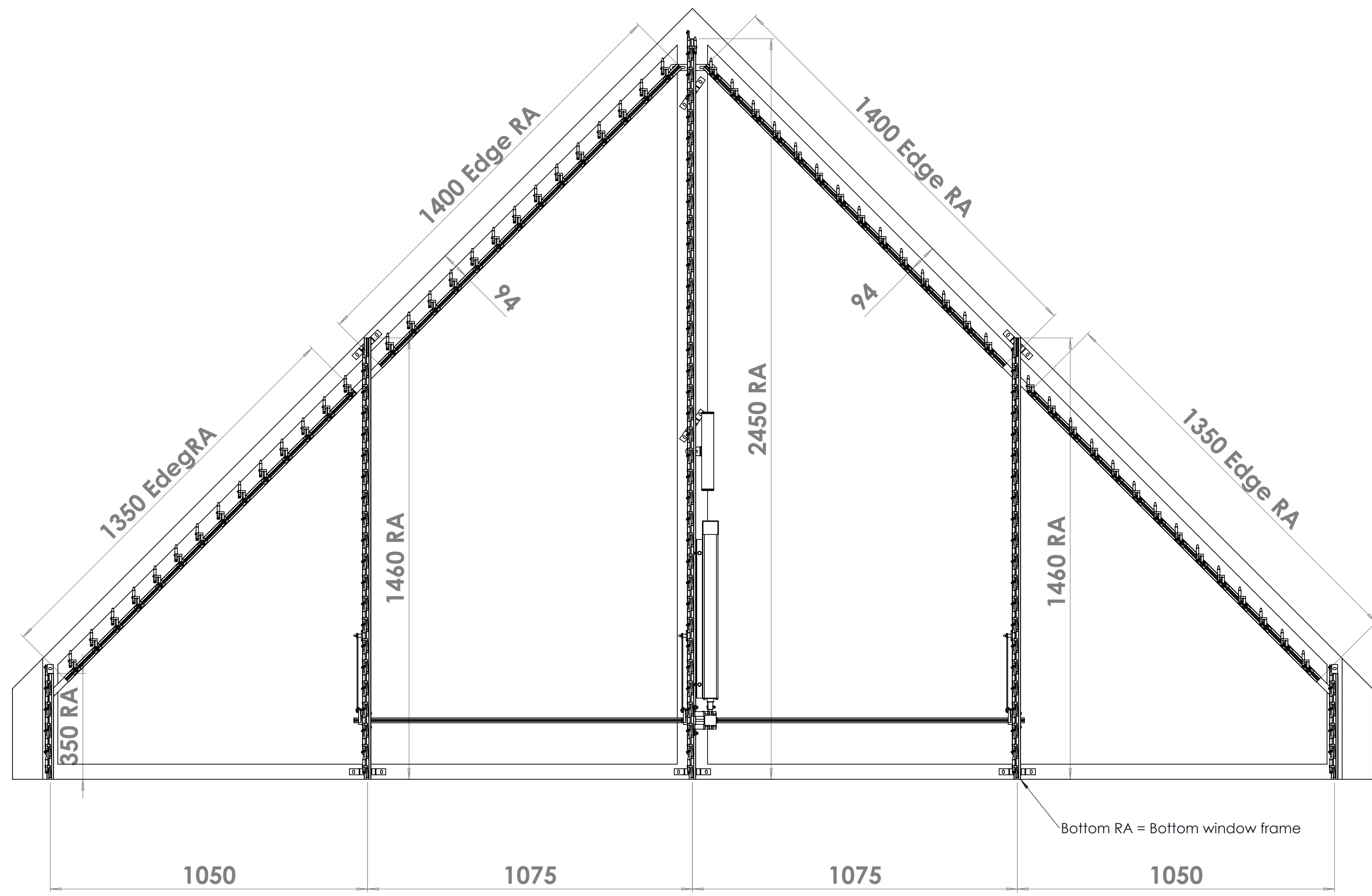
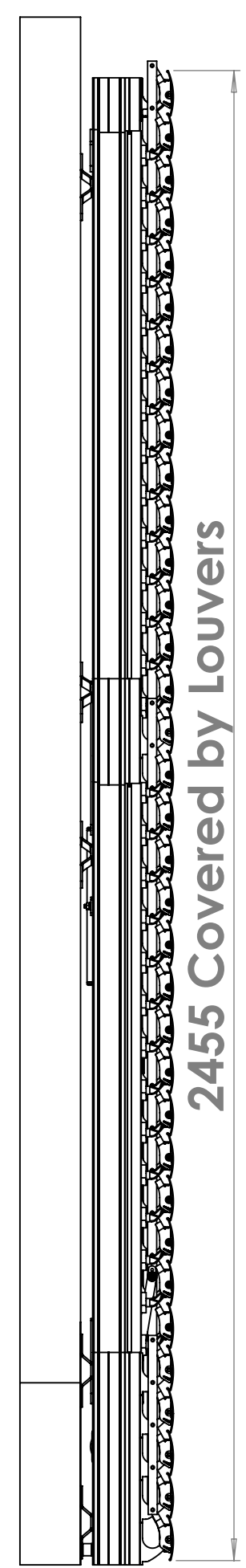
ITEM NO.	QTY.	SW-File Name/File Name	DESCRIPTION	Comment 2
1	1	2104016-01-100	Heavy Duty Rack Arm, 80 mm, Pitch 70 (10) Asm	
2	11	63 123	Omega H-20, 120x20mm, lg=20 mm (D4 HD Rack arm)	L=20
3	*31*	911	DIN 6798-A Lock washer M6	
4	*31*	910	DIN 934 Hexagon Nut M6	
5	*31*	908	DIN 125-1A Plain Washer M6	
6	*31*	901	DIN 933 Hexagon Head Bolt M6x16	
7	1	2104016-01-501	Drive Shaft 14/7 mm; Standard	L=1015
8	*2*	939	DIN 7981 Panhead screw 3.5 x 9,5	
9	1	58 957 99 22	Exterior Motor kit for 7:1 IO/RTS (incl. Motorhood L=580)	L=580 (Motorhood)
10	1	58 988	Stak/Stas Protecting Kit (incl. Tube, Plugs & Bracket) (lg=250mm)	
11	1	2104016-01-502	Drive Shaft 14/7 mm; Standard	L=1085
12	1	2104016-01-202	Heavy Duty Edge Rack Arm, 80 mm	L=1350 (10)
13	56	88 300	Turnable Edge Pivot Kit S-System Pitch-70/90 (incl. short slot clip & screw)	
14	1	28 965	Hirschmann Set STAK/STAS-2 (Stak/Stas/clamp)	
15	2	2104016-01-100	Heavy Duty Rack Arm, 80 mm, Pitch 70 (10) Asm	
16	*82*	939	DIN 7981 Panhead screw 3.5 x 13	
17	1	2104016-01-203	Heavy Duty Edge Rack Arm, 80 mm	L=1400 (10)
18	35	2104016-01-401	75e Louver	L=4500
19	1	28 143	Somfy SUNEa SCR 40 IO, 13/10/230V, 5m white cable	
20	2	58 203	Rack Arm Connector End-Strip, 3 holes (M6), 20x3mm, lg=190mm	L=190
21	2	58 305	Rack Arm Connector Center-Strip, 5 holes (M6), 20x3mm, lg=350mm	L=350
22	1	Cross Bracket S-System	Edge RA Cross Bracket	
23	2	07 080 AS 88E Slave	Heavy Duty Slave Rack Arm, 80 mm, L=350; Pitch 70 (10) Asm	L= 350; Pitch 70 (10)
24	1	2104016-01-201	Heavy Duty Edge Rack Arm, 80 mm	L=1400
25	1	2104016-01-204	Heavy Duty Edge Rack Arm, 80 mm	L=1350 (10)
26	1	28 161	Somfy Situo 1 IO Pure Transmitter, White	
27	1	88 108	Edge Slotclip S-System Pitch 70/90 (shortened)	
28	1	Pivot-2-sides-S-System	Pivot Arm S-System Pitch-70/90	^

ATTENTION



FASTENERS FOR INSTALLATION EXCLUDED (third party)				FASTENERS FOR SYSTEM ASSEMBLY INCLUDED			
CUSTOMER	DATE	SCALE	ENGINEER	RACK ARMS & PARTS	PLASTIC PARTS	DRUCKNUMMER	WERT
2104016	27-5-2021	1:7.5	JM	RAL 1013 30%	RAL 1013 30%	White	24 A0
PROJECT NR	STATE	EXT	REV	2104016-01-000			
2104016	1	75e	A				

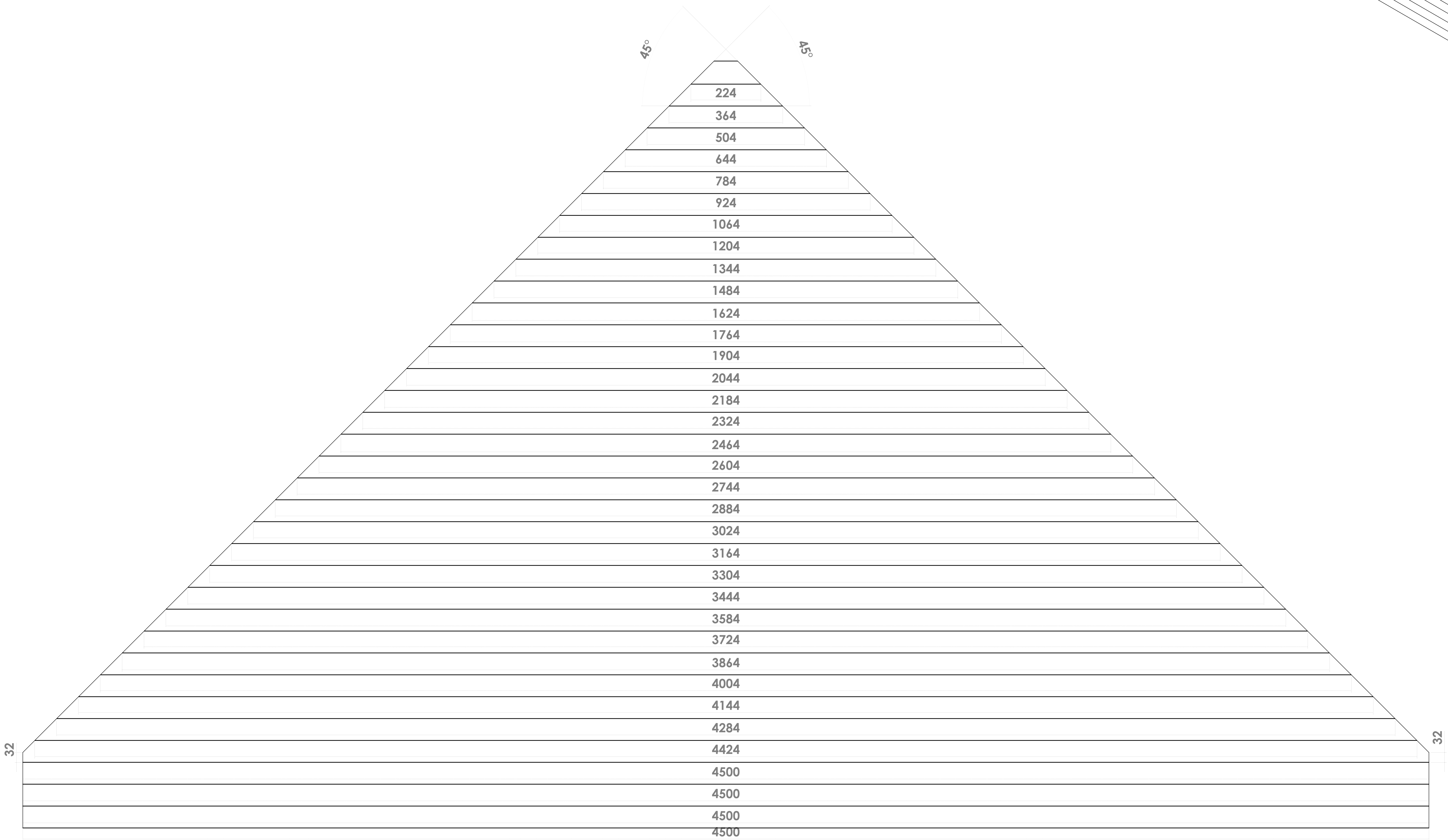




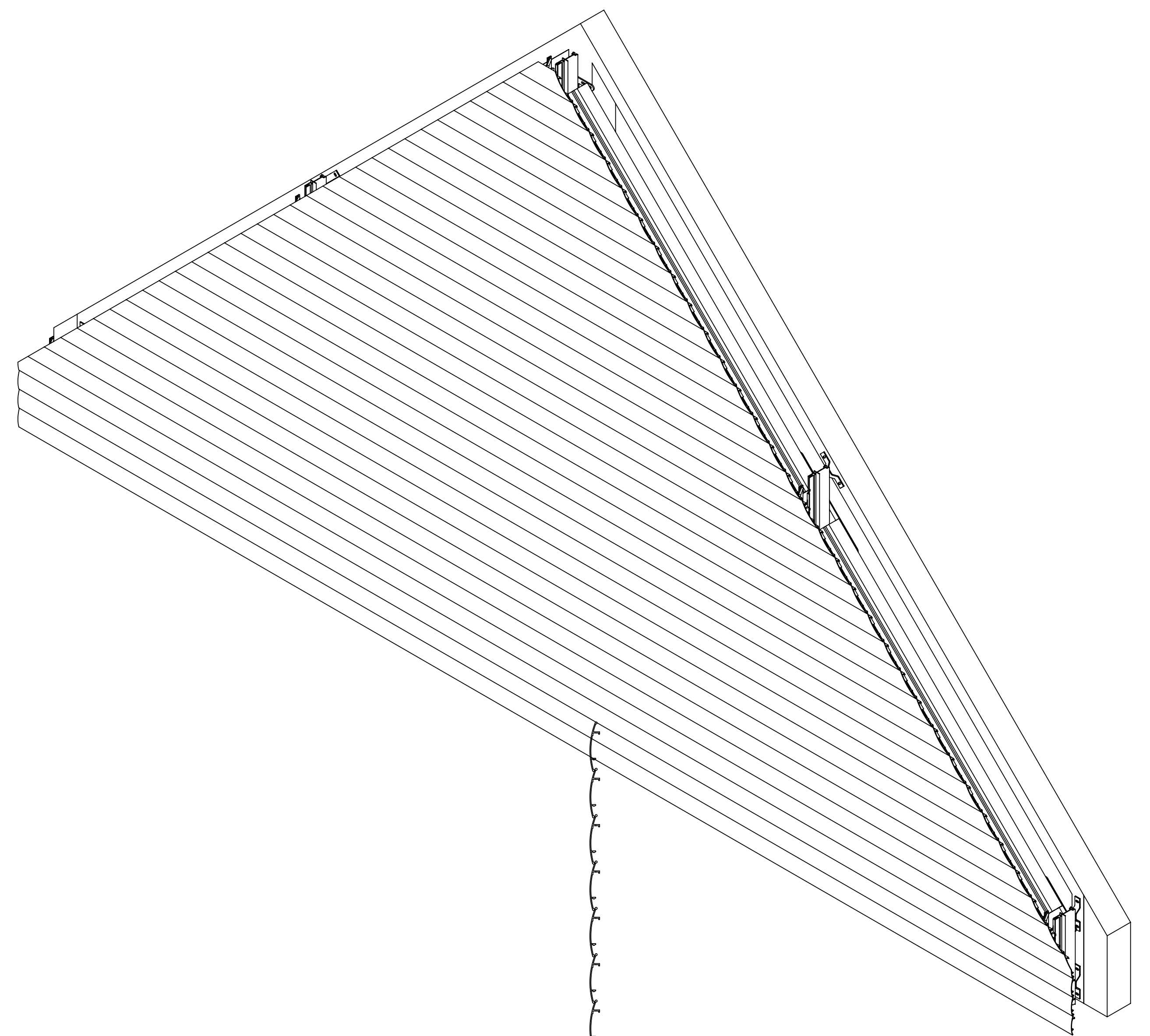
**ATTENTION**

FASTENERS FOR INSTALLATION EXCLUDED (third party)		FASTENERS FOR SYSTEM ASSEMBLY INCLUDED	
MATERIAL		RACK ARMS & PARTS	RAL 1013 30%
CUSTOMER	DATE 27-5-2021	LOUVERS	RAL 1013 30%
DESCRIPTION	SCALE 1:10	PLASTIC PARTS	White
PROJECT NR 2104016	ENGINEER JM	STATE	Ext
Quantity of 1	QTY 1	REV A	34 A0
State of 1	STATE 1	REV A	
Waiting for Approval	REV A		
75E	Ext		
2104016-01-000			

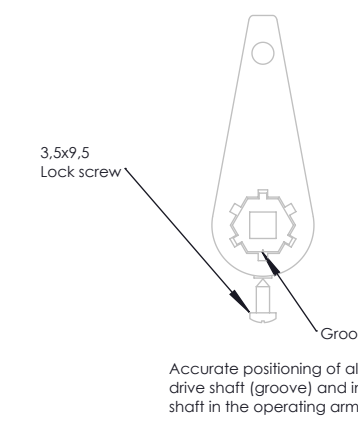
**SUNSHIELD**  
UNIQUE LOUVERS



Closing Direction



ATTENTION



FASTENERS FOR INSTALLATION EXCLUDED (third party)				FASTENERS FOR SYSTEM ASSEMBLY INCLUDED			
MATERIAL				RACK ARMS & PARTS	RAL 1013 30%		
CUSTOMER		DATE	27-5-2021	LOUVERS	RAL 1013 30%		
DESCRIPTION		SCALE	1:5	PLASTIC PARTS	White		
PROJECT NR	2104016	ENGINEER	JM				
Quantity	1	QTY		75E	2104016-01-000	44	A0
Material	PL 4941 V1	STATE	Waiting for Approval				
Supplier	RogersDorland	REV	A				

