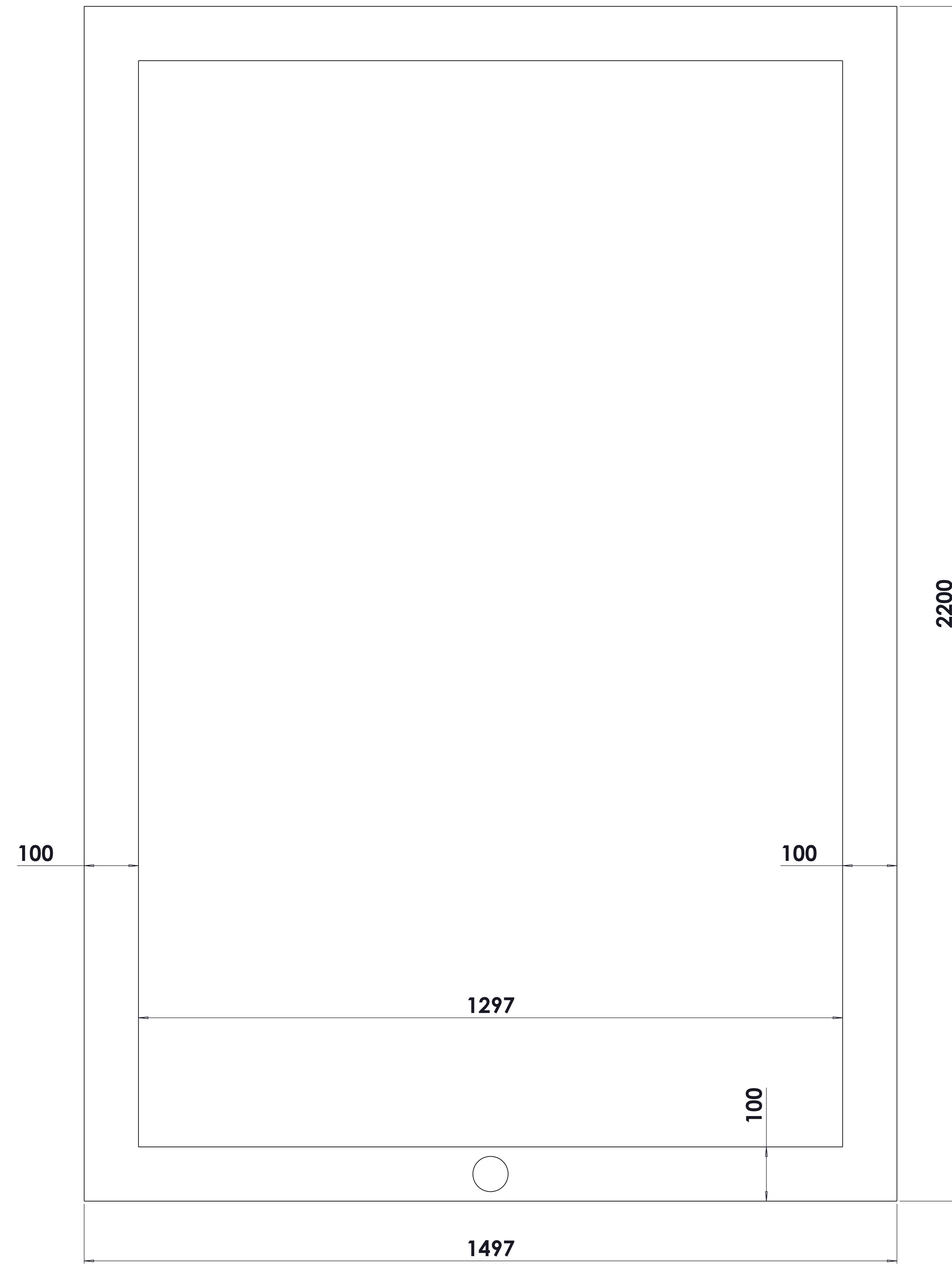
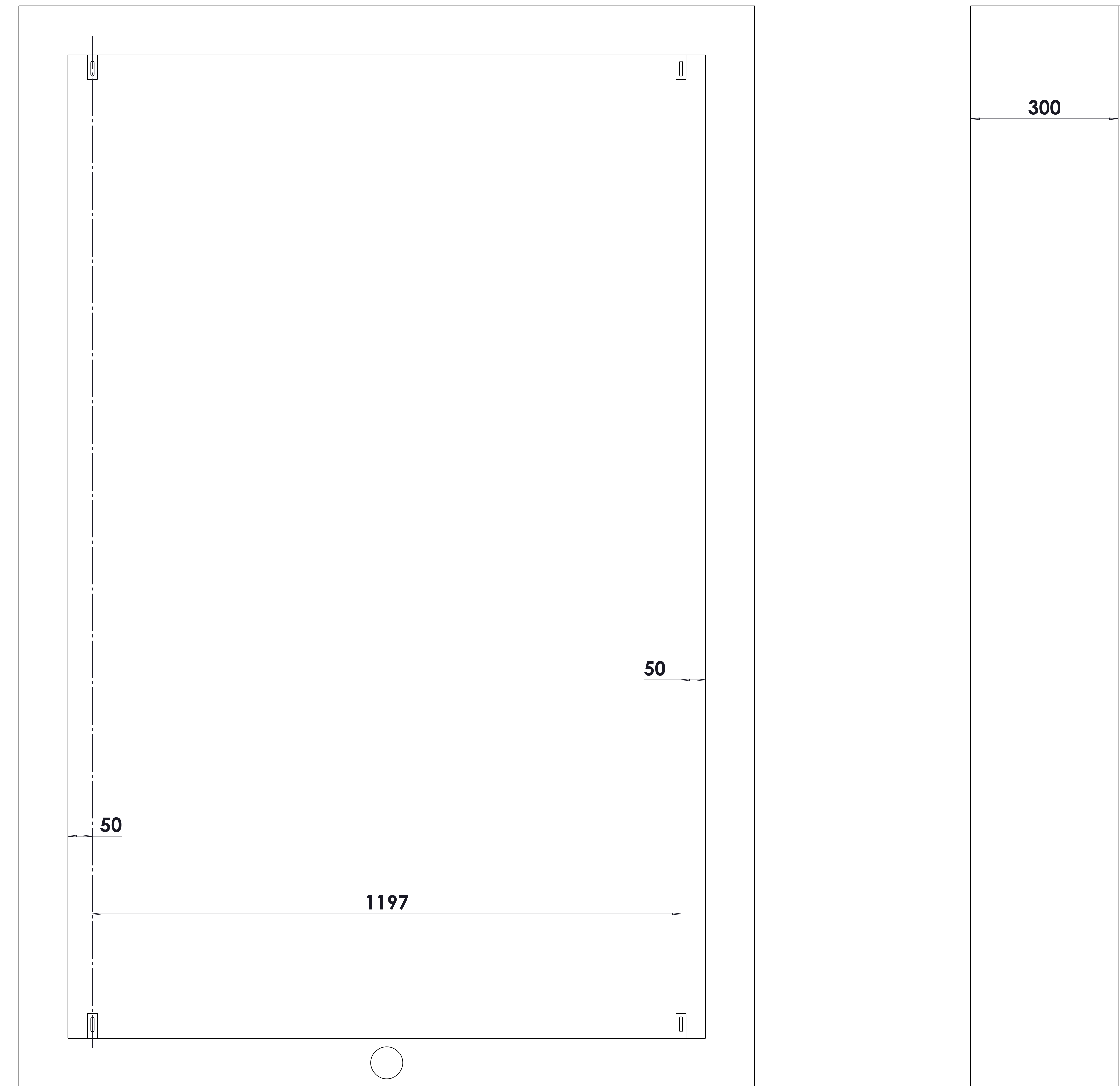


87W

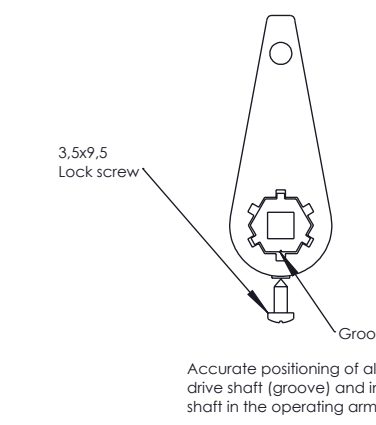
Window frame



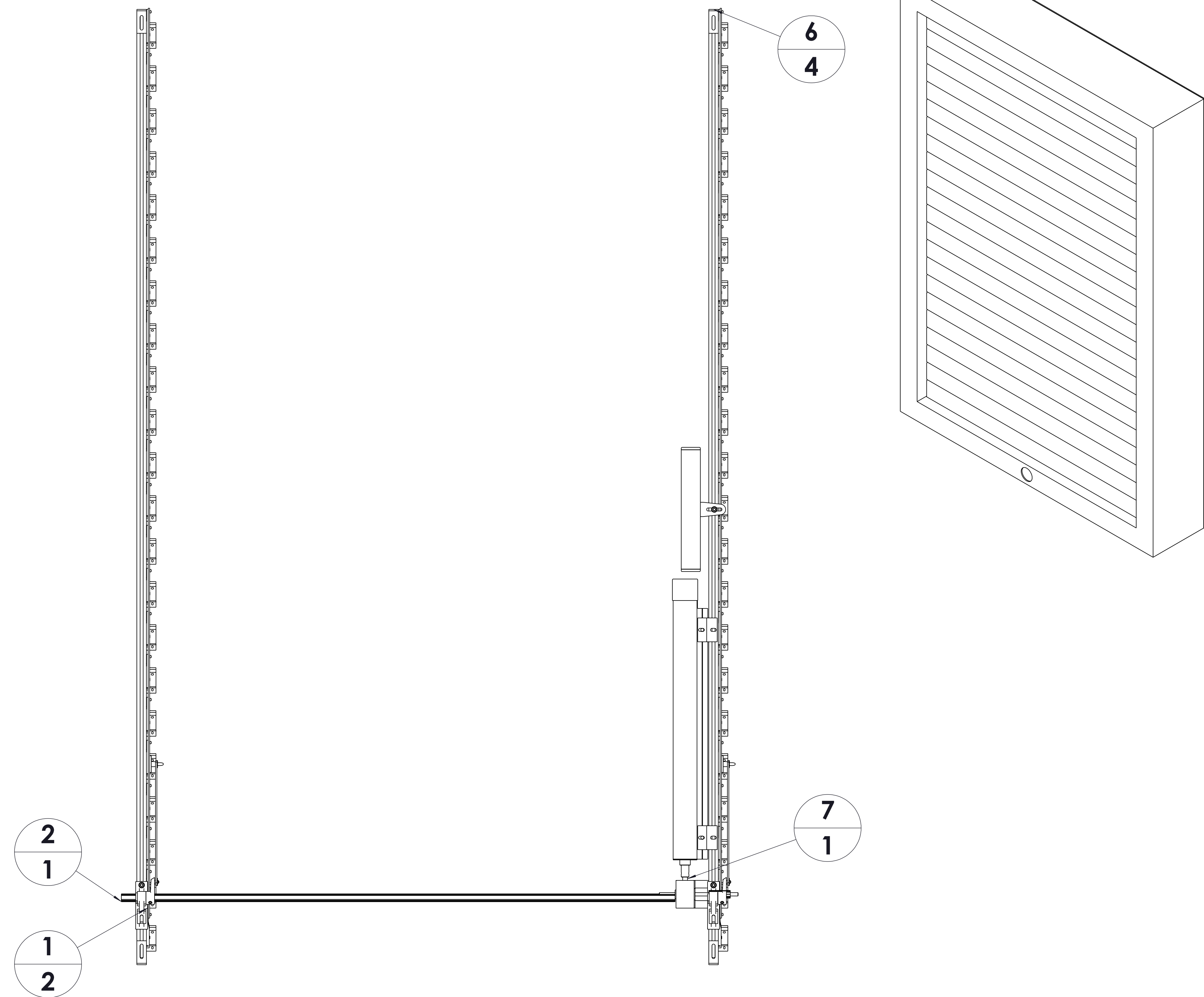
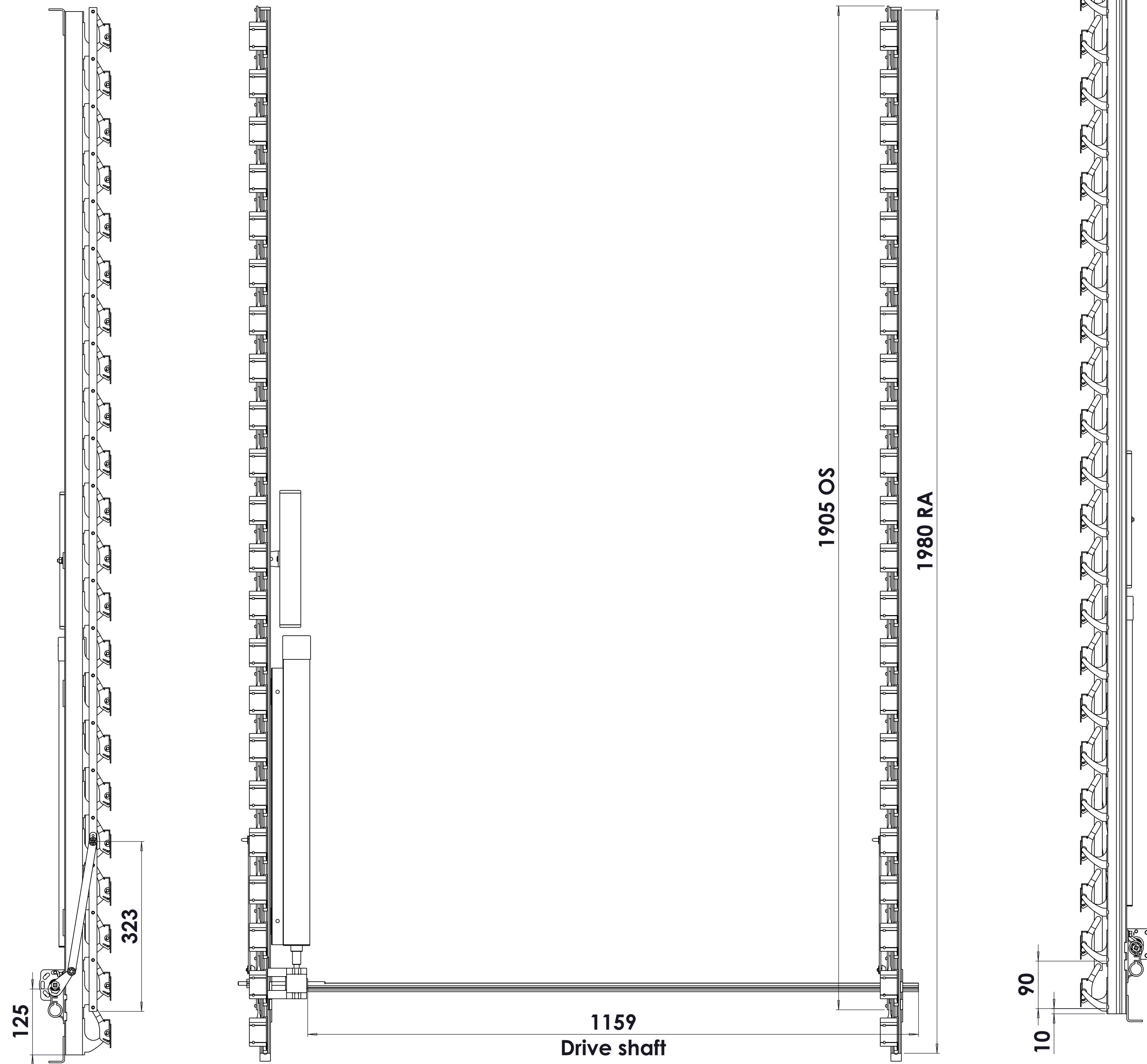
Window frame (with brackets)



ATTENTION

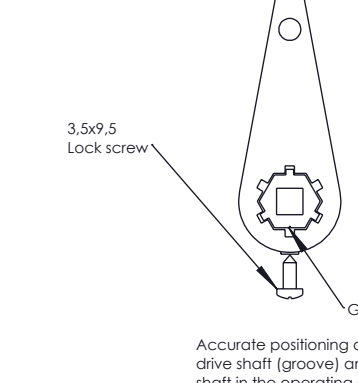


FASTENERS FOR INSTALLATION EXCLUDED (third party)				FASTENERS FOR SYSTEM ASSEMBLY INCLUDED			
MATERIAL				MATERIAL			
CUSTOMER	DATE	09/03/2023	RACK ARMS & PARTS	RAL 7021 FS			
DESCRIPTION	SCALE	1:5	LOUVERS	WRC			
PROJECT NR	ENGINEER	RW	PLASTIC PARTS	BIGCK			
OPERATED BY	STATE						
REVISIONS	REV						
2302055-09-000				1:4	A0		
SUNSHIELD				UNIQUE LOUVERS			

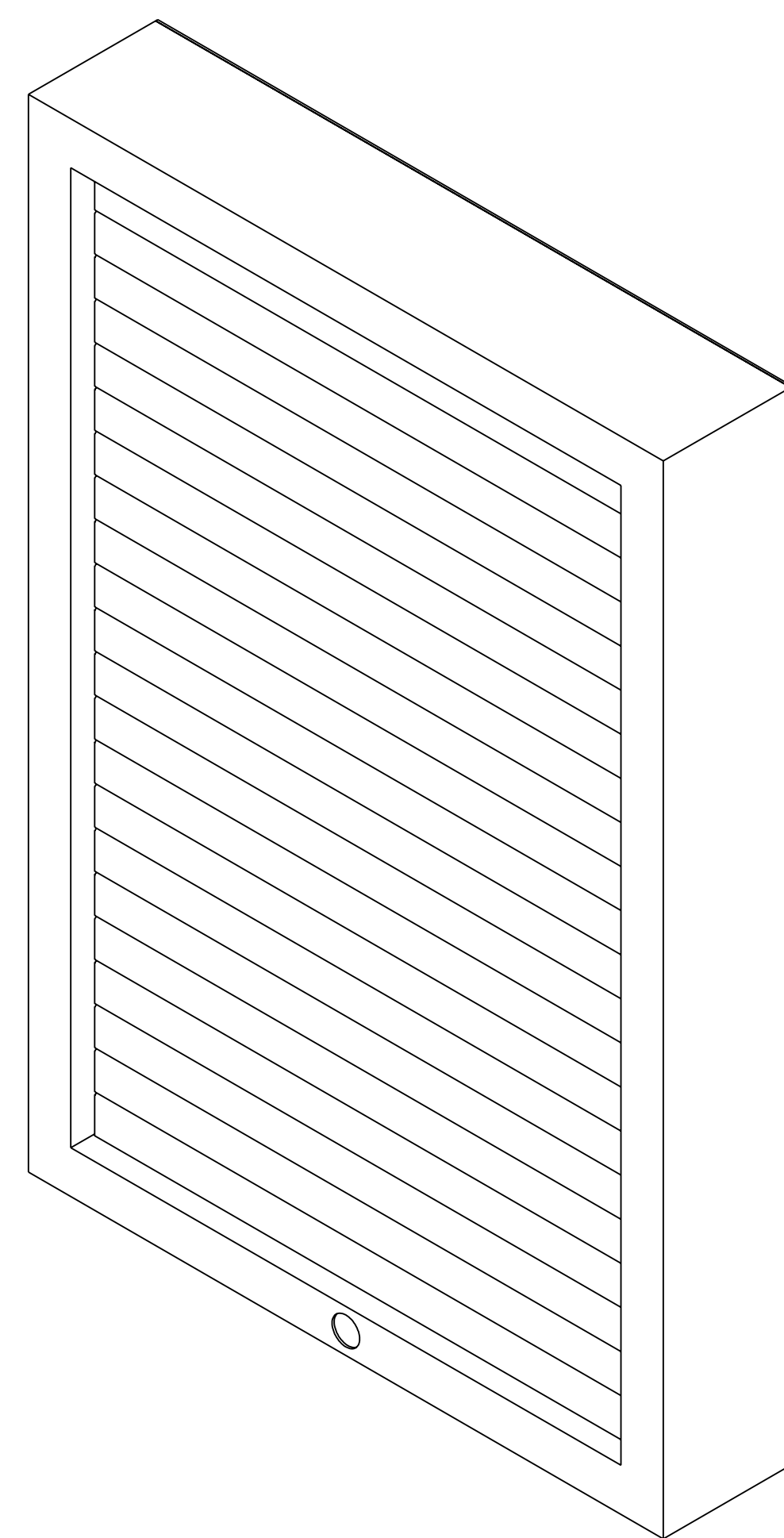
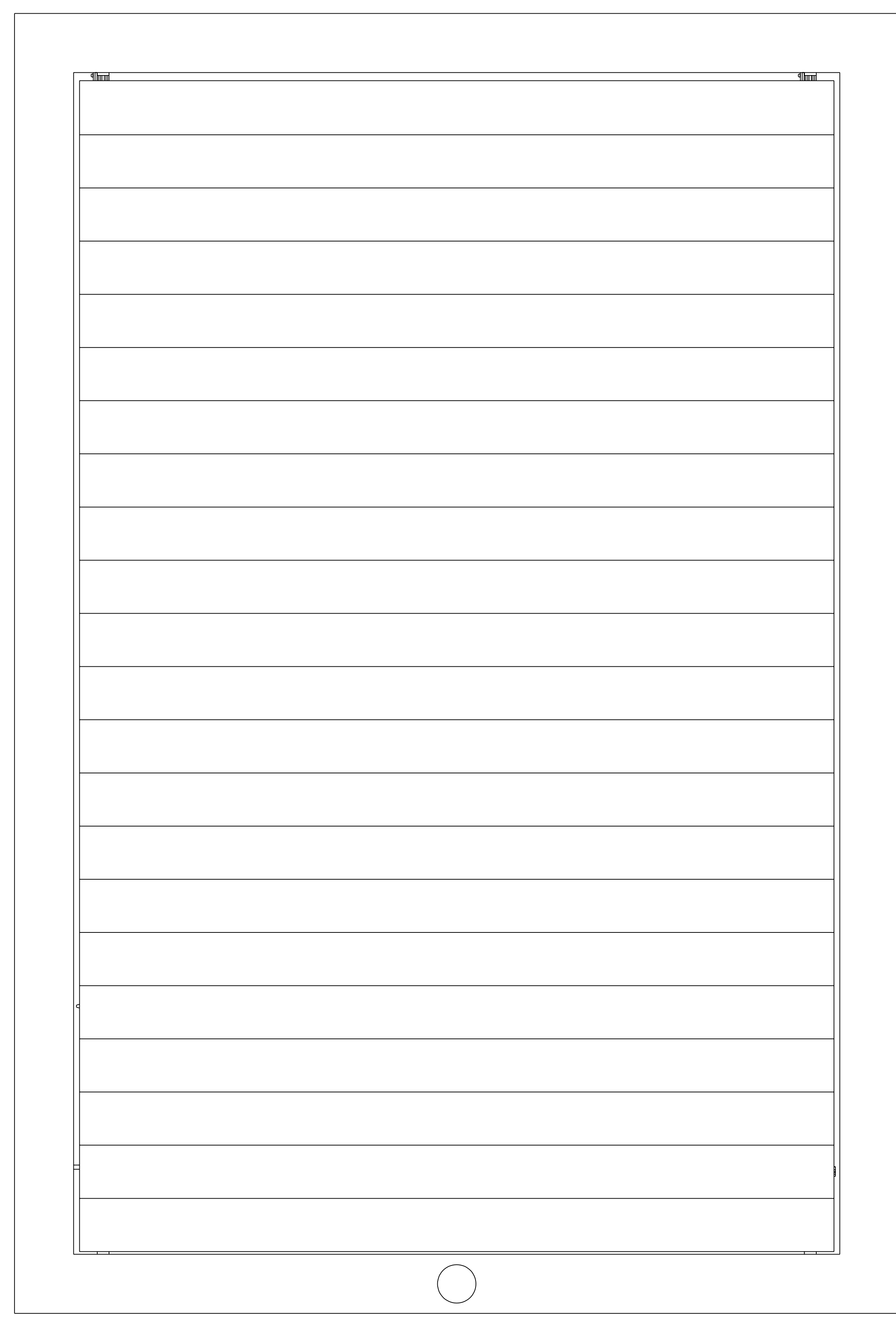
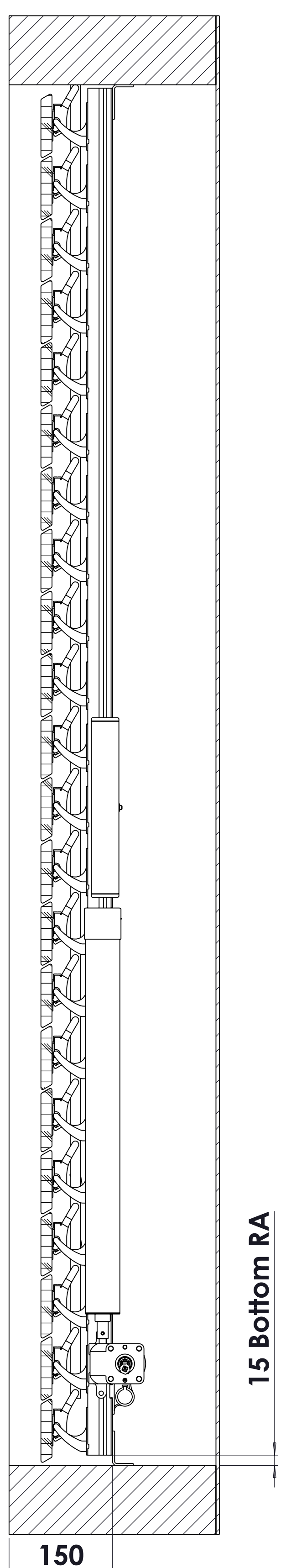
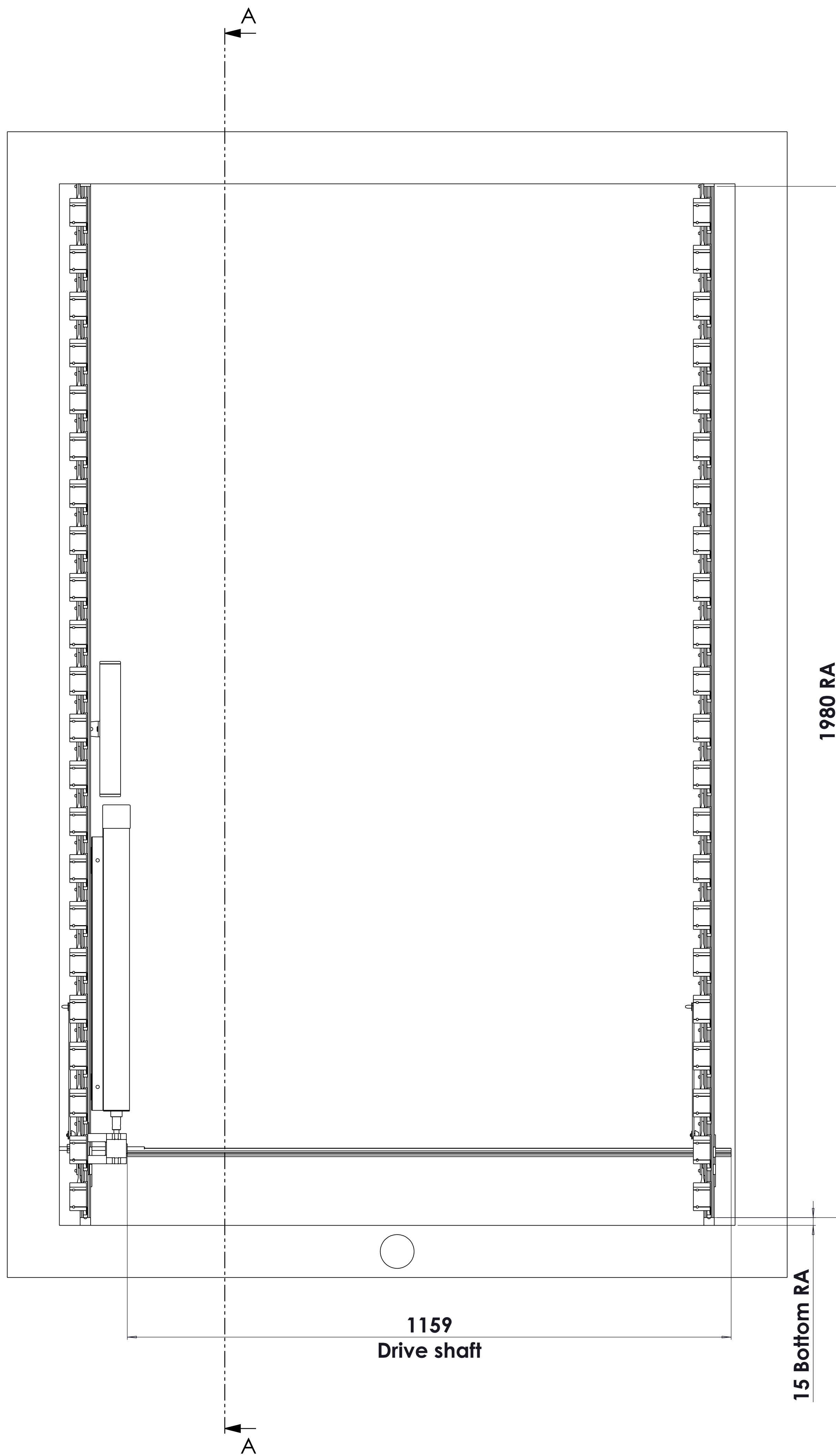


ITEM NO.	QTY.	SW-File Name (File Name)	DESCRIPTION	Comment 2
1	2	2302055-09-100	Standard Rack Arm, 35 mm, Pitch 90 (10) Assembled	L= 1980; Pitch 90 (10)
2	1	2302055-09-501	Drive Shaft 14/7 mm; Standard	L=1159
3	1	28 143	Somfy SUNEa SCR 40 IO, 13/10/230V, 5m white cable	
4	1	28 151	Somfy Teils 1 Pure RTS Transmitter, White	
5	1	28 965	Hirschmann Set STAK/STAS-2 (Stak/Stas/clamp)	
6	4	58 715	Angle Bracket 50x30x20x3 M6 Slot	L=20
7	1	58 957 99 22	Exterior Motor kit for 7:1 IO/RTS (incl. Motorhood L=580)	L=580 (Motorhood)
8	1	58 988	Stak/Stas Protecting Kit (incl. Tube, Plugs & Bracket) (lg=255mm)	
9	22	2302055-09-401	87W Louver	L=1277

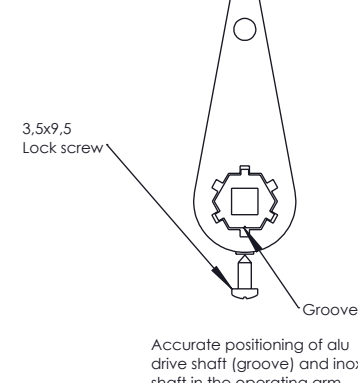
ATTENTION



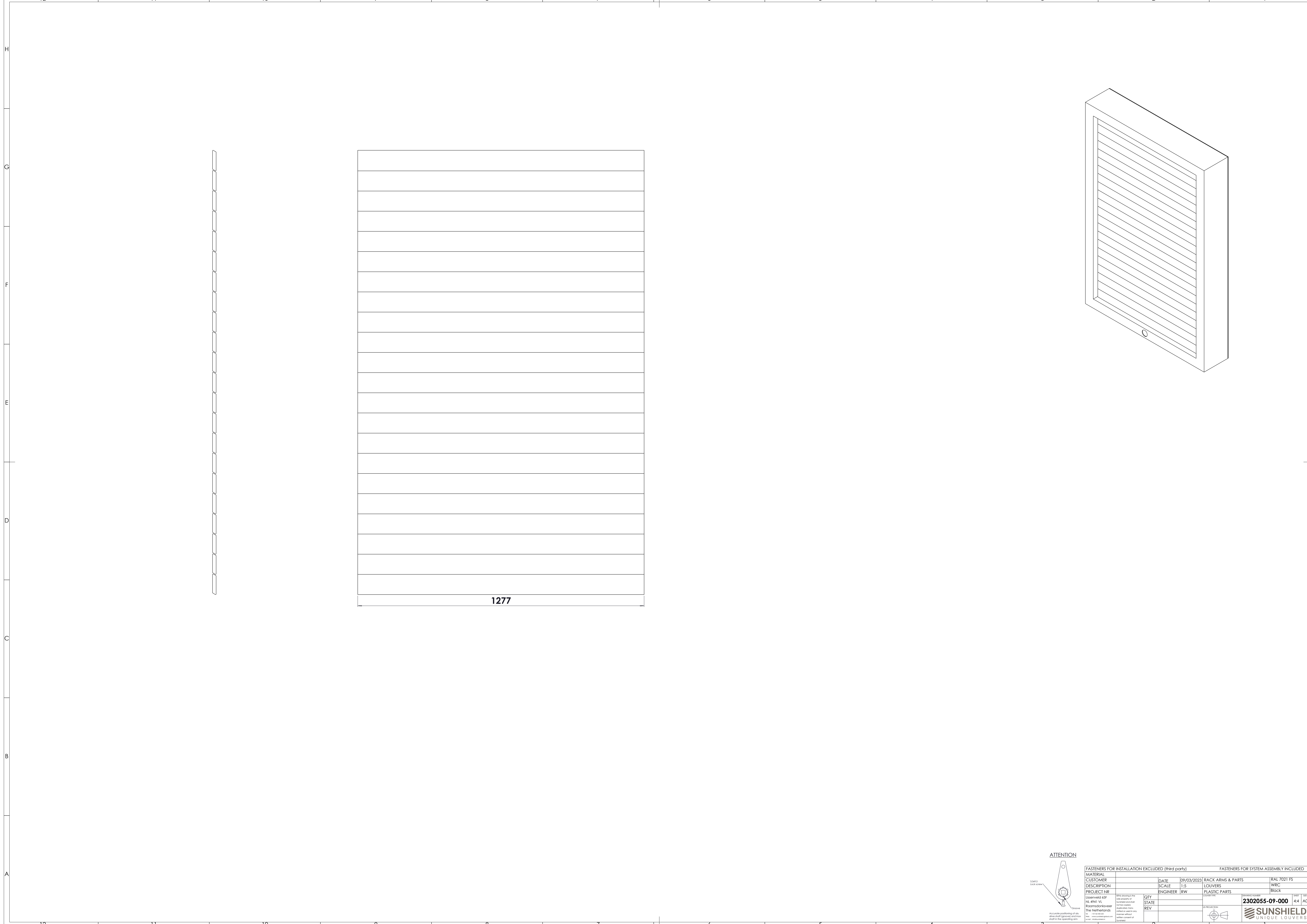
FASTENERS FOR INSTALLATION EXCLUDED (third party)				FASTENERS FOR SYSTEM ASSEMBLY INCLUDED			
CUSTOMER	DATE	09/03/2023	RACK ARMS & PARTS	RAL 7021 FS			
DESCRIPTION	SCALE	1:5	LOUVERS	WRC			
PROJECT NR	ENGINEER	RW	PLASTIC PARTS	BLACK			
2302055-09-000	QTY	STATE	2302055-09-000	24	A0		
24	REV						



ATTENTION

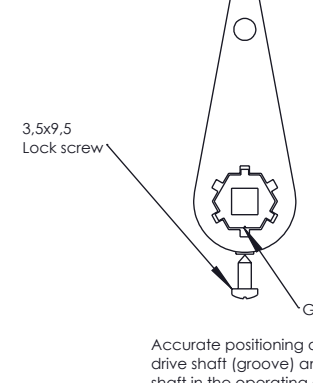


FASTENERS FOR INSTALLATION EXCLUDED (third party)				FASTENERS FOR SYSTEM ASSEMBLY INCLUDED			
MATERIAL							
CUSTOMER		DATE	09/03/2023	RACK ARMS & PARTS		RAL 7021 FS	
DESCRIPTION		SCALE	1:5	LOUVERS		WRC	
PROJECT NR		ENGINEER	RW	PLASTIC PARTS		BIGCK	
OPERATED BY		QTY		PLASTIC PARTS		2302055-09-000	
HL 4941 V1		STATE		PLASTIC PARTS		34 A0	
REVISIONS		REV		PLASTIC PARTS		SUNSHIELD	
				PLASTIC PARTS		UNIQUE LOUVERS	



1277

ATTENTION



FASTENERS FOR INSTALLATION EXCLUDED (third party)				FASTENERS FOR SYSTEM ASSEMBLY INCLUDED			
MATERIAL							
CUSTOMER		DATE	09/03/2023	RACK ARMS & PARTS		RAL 7021 FS	
DESCRIPTION		SCALE	1:5	LOUVERS		WRC	
PROJECT NR		ENGINEER	RW	PLASTIC PARTS		BIGCK	
OPERATED BY		QTY		PROJECT TIME		2302055-09-000	
HL 4941 V1		STATE				4x4 A0	
REVISIONS		REV					

