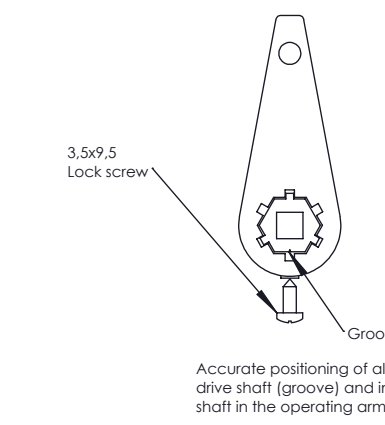


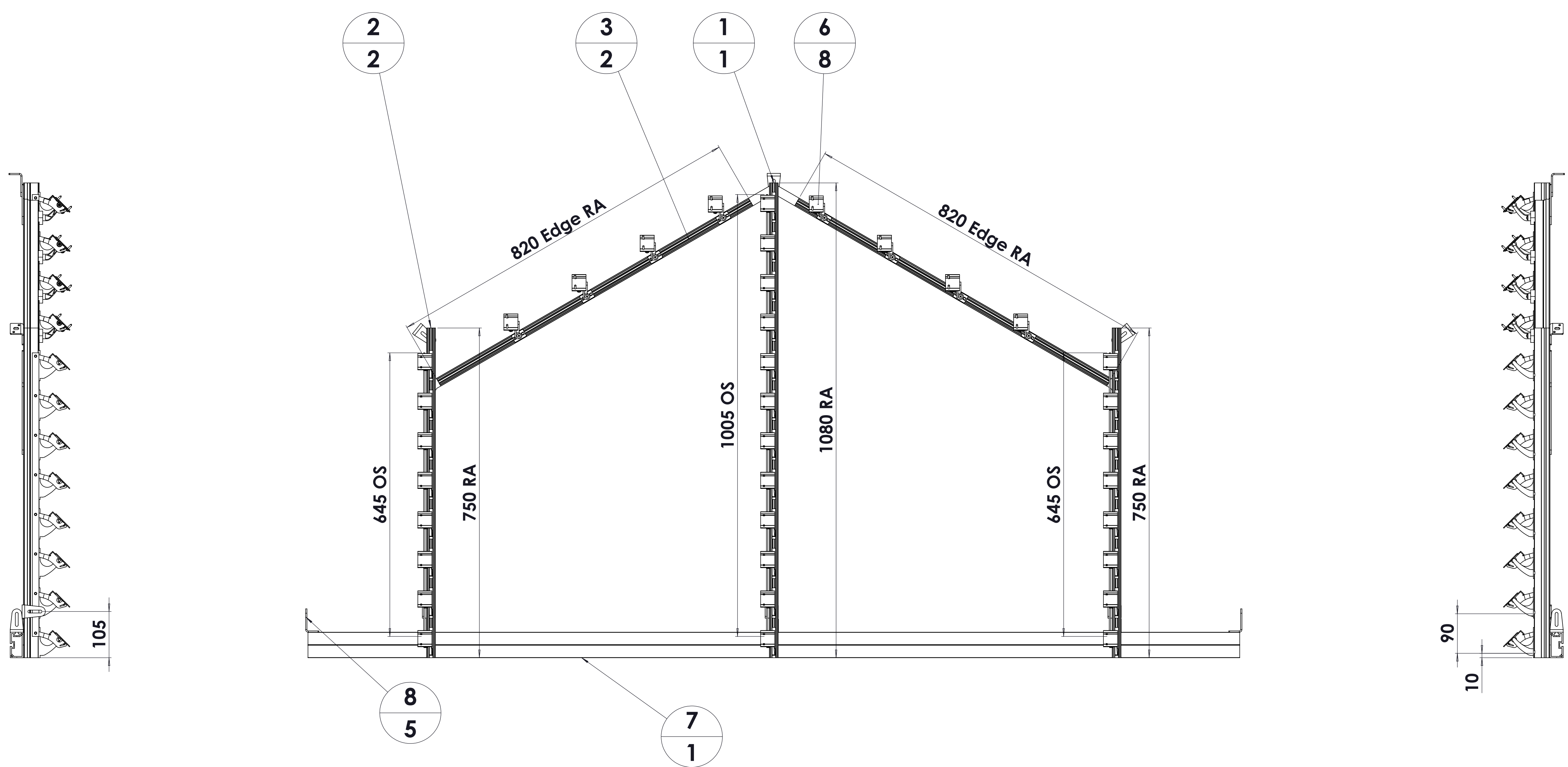
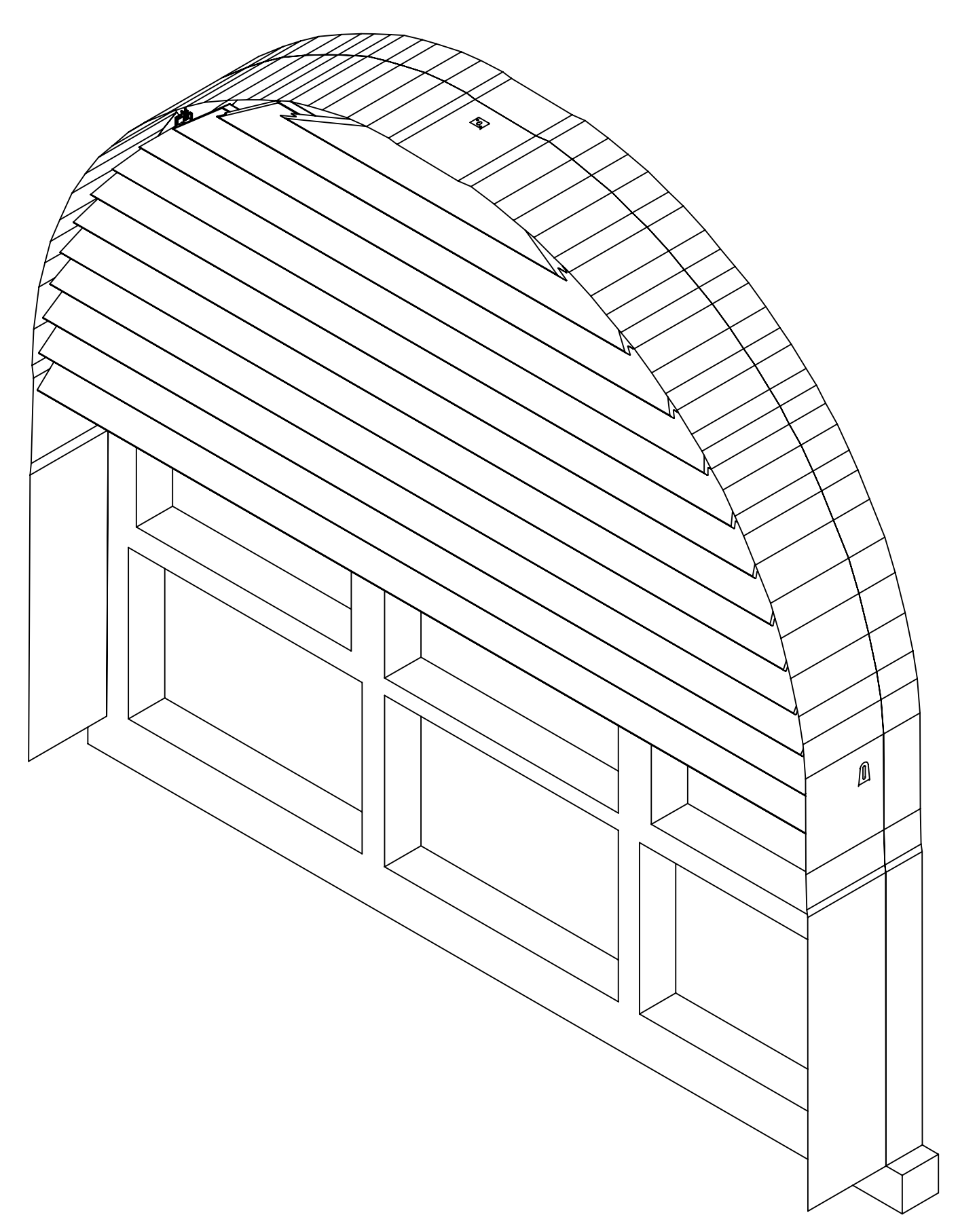
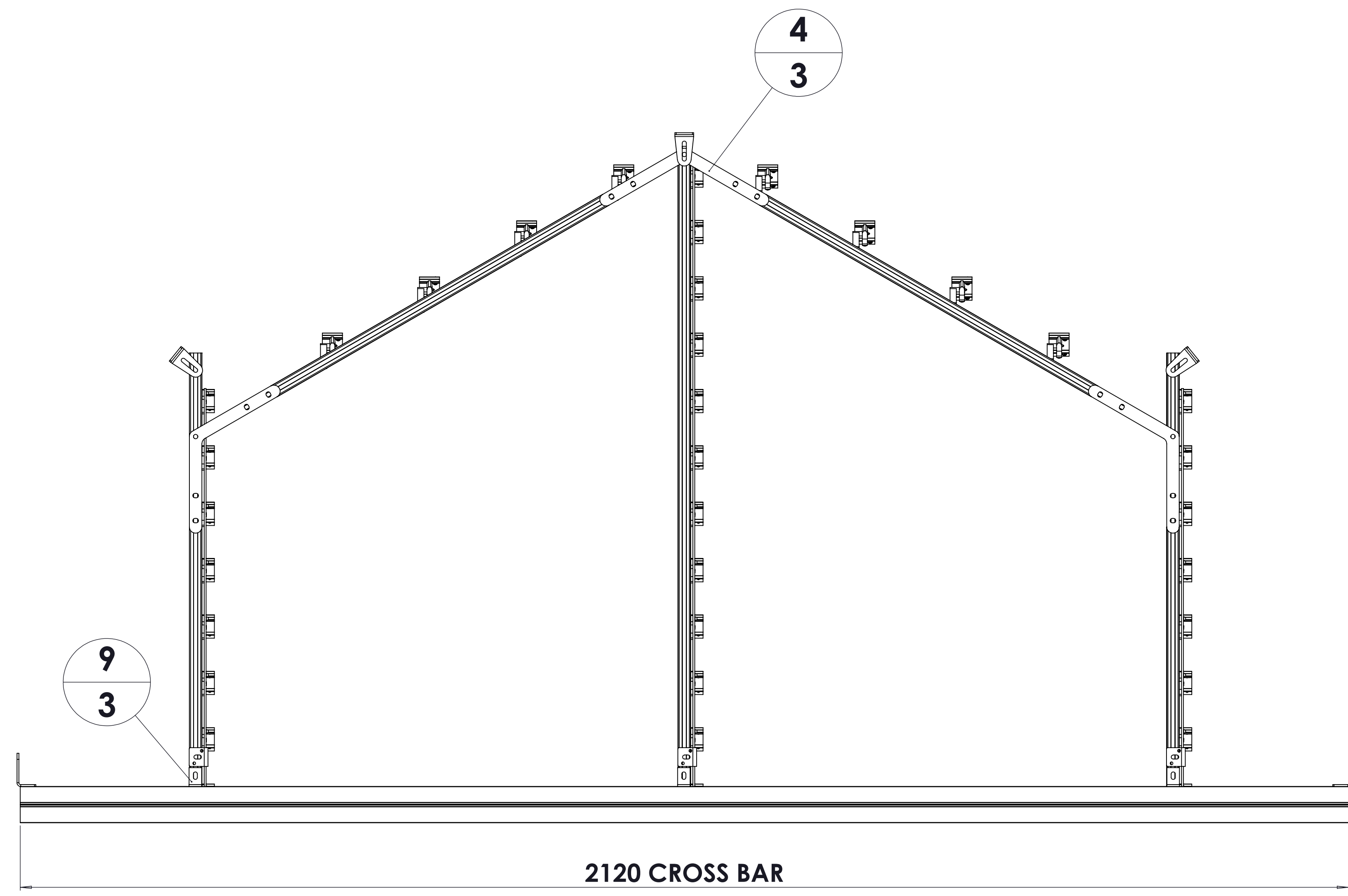
ATTENTION



FASTENERS FOR INSTALLATION EXCLUDED (third party)				FASTENERS FOR SYSTEM ASSEMBLY INCLUDED			
CUSTOMER	DATE	SCALE	ENGINEER	RACK ARMS & PARTS	RAE 9005 30%	UNREATED WRC	Black
PROJECT NR	2108022	1:5	RW	LOUVRES	PLASTIC PARTS	Black	
QUANTITY	7	STATE	Approved	98W	Ext	2108022-01-000	1:4 A0
REV	01						

**A/B ARCH**



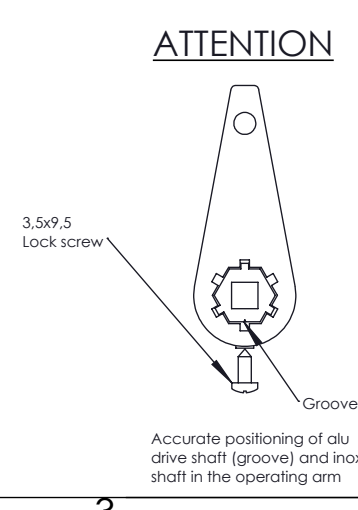


**A/B ARCH**

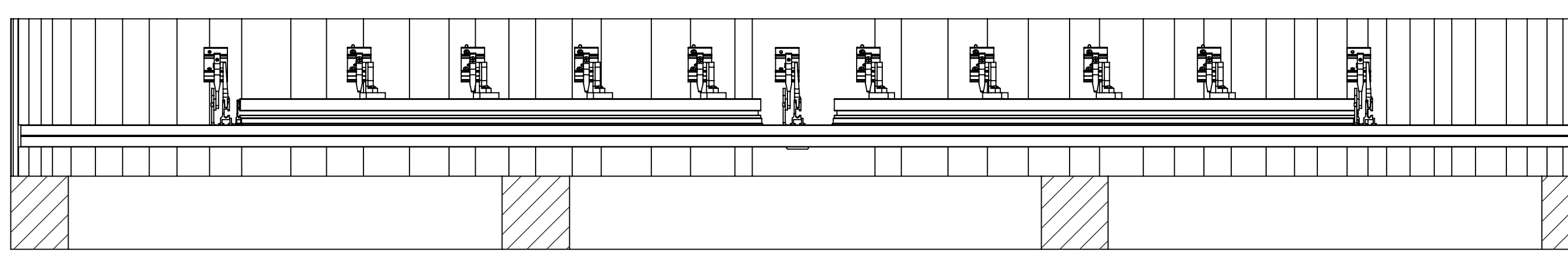
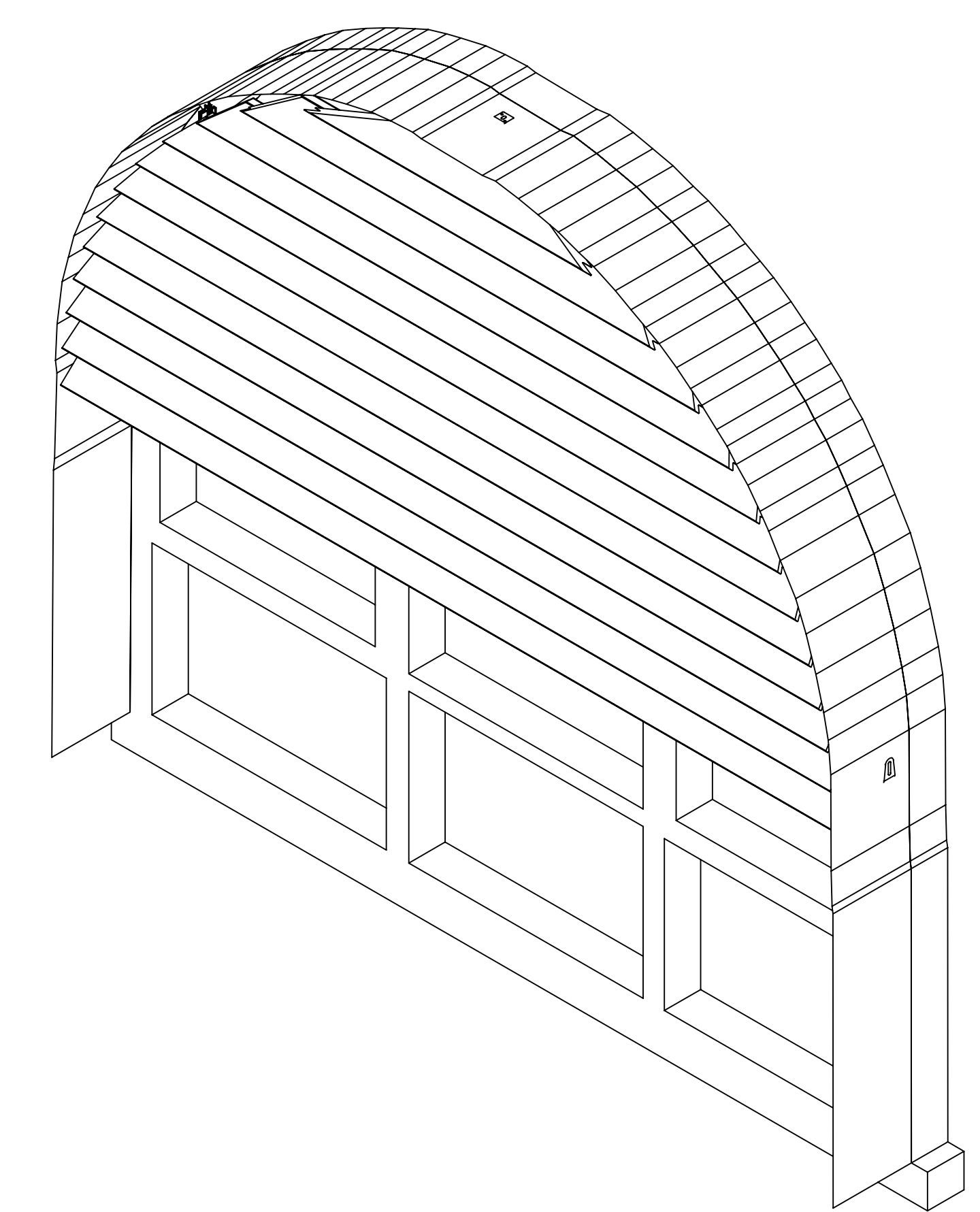
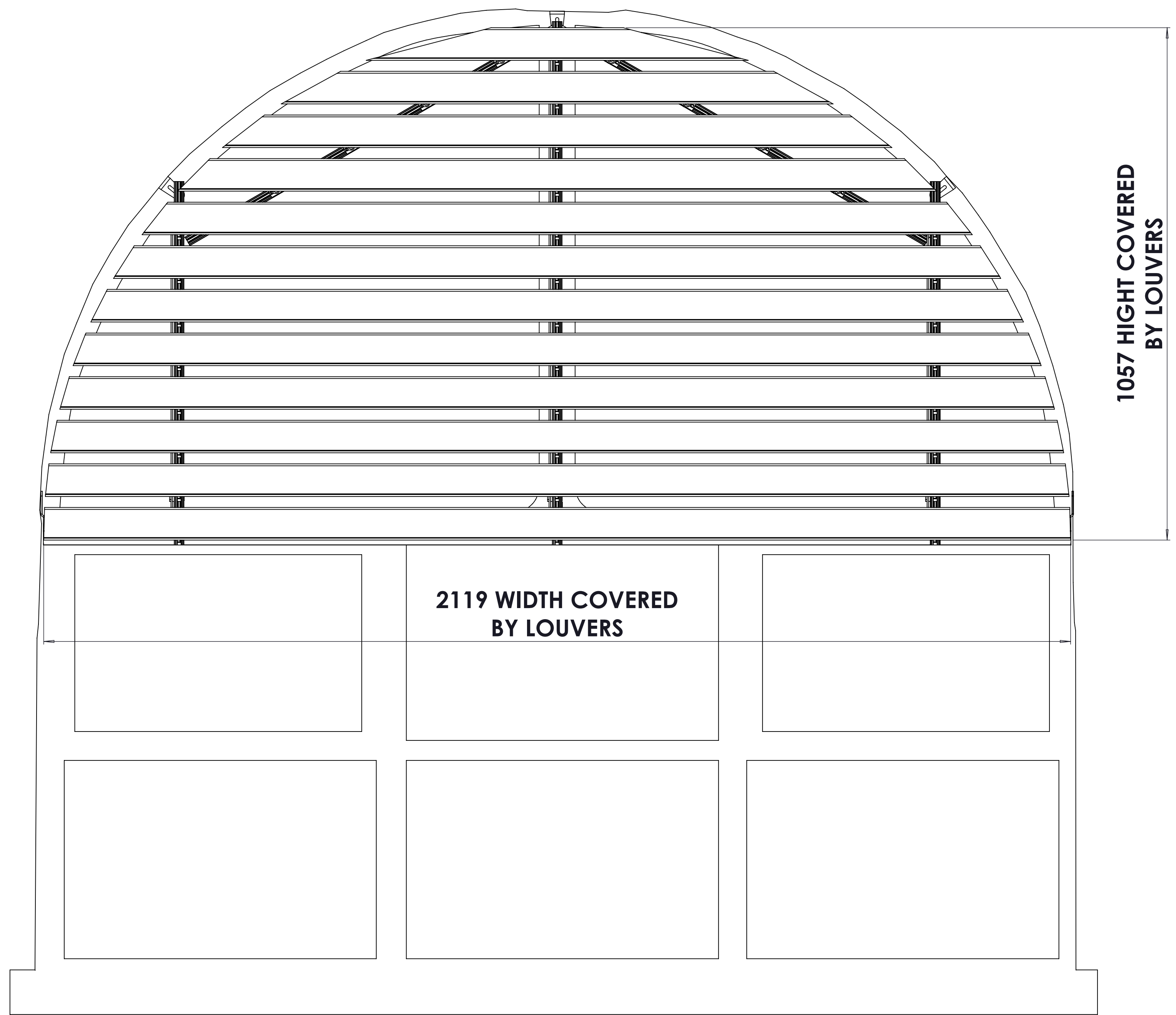
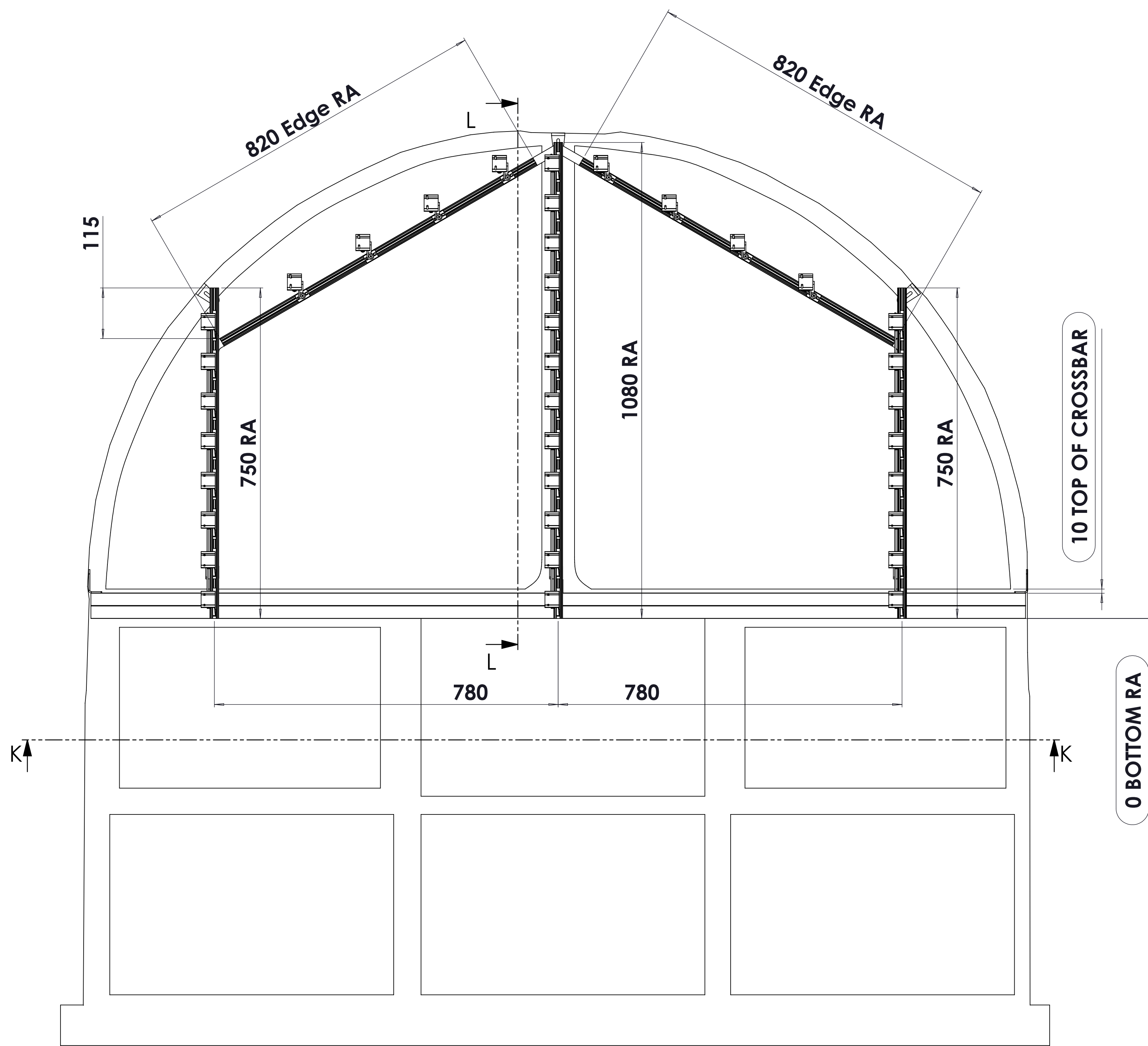
ITEM NO.	QTY.	SW-File Name (File Name)	DESCRIPTION	Comment 2
1	1	2108022-01-100	Standard Rack Arm, 35 mm, Pitch 90 (10) Assembled	L= 1080; Pitch 90 (10)
2	2	2108022-01-100	Standard Rack Arm, 35 mm, Pitch 90 (10) Assembled	L= 750; Pitch 90 (10)
3	2	2108022-01-201	Edge Rack Arm, 35 mm	L=820
4	3	2108022-01-301	Bracket 120°	T=3
5	12	2108022-01-401	98W Louver	L=See DWG
6	8	88 300	Turnable Edge Pivot Kit S-System Pitch-70/90 (incl. short slot clip & screw)	
7	1	2108022-01-701	Cross bar 58x30, 2 tracks	L=2120
8	5	58 710	Angle bracket 50x30x3 mm, lg=30mm (part only)	L=30
9	3	000000-01-312	Angle Bracket 30x30x3mm, lg=20mm	L=20 <sup>01</sup>

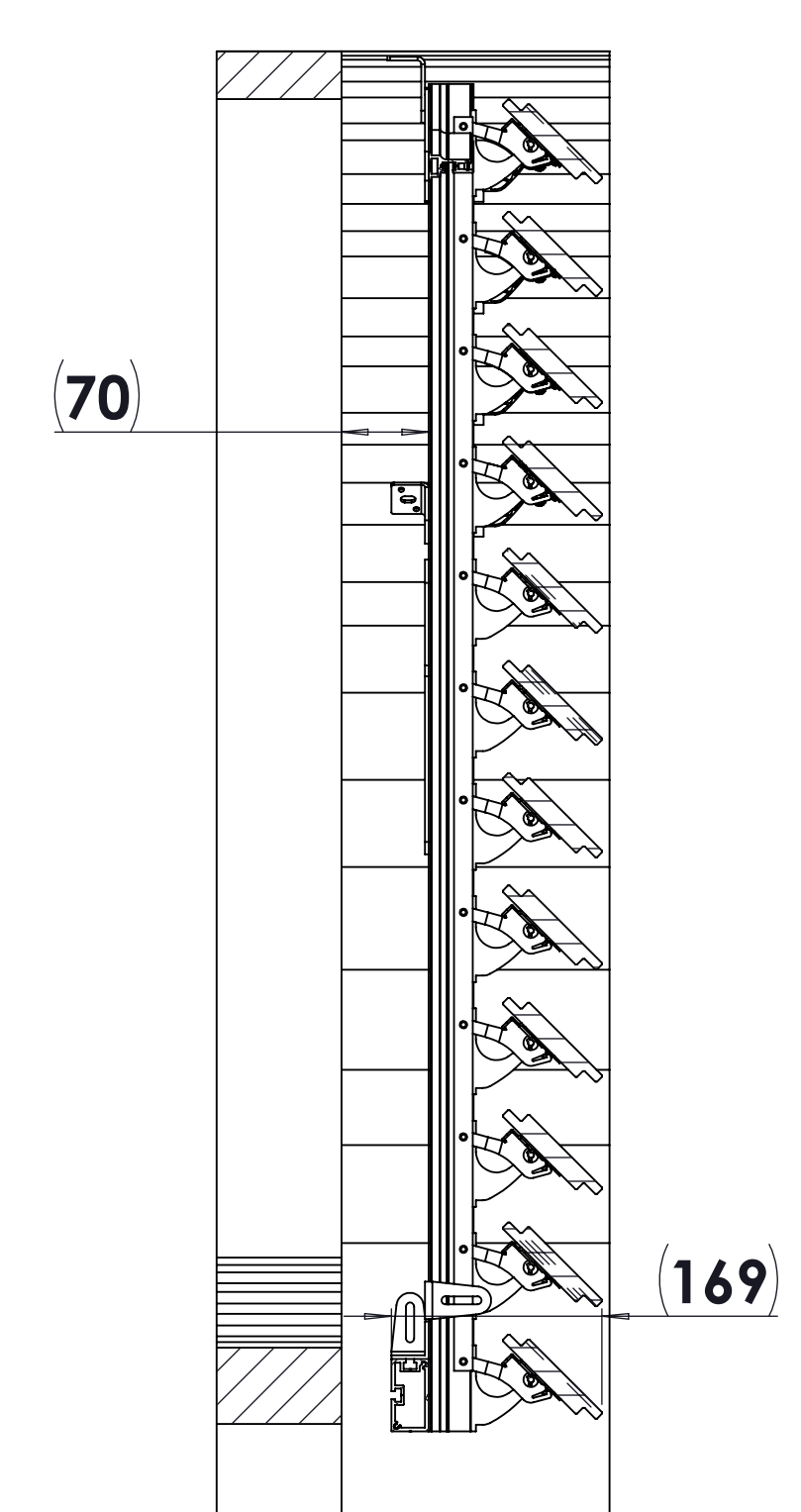
FASTENERS FOR INSTALLATION EXCLUDED (third party)				FASTENERS FOR SYSTEM ASSEMBLY INCLUDED			
CUSTOMER	DATE	14/02/2022	RACK ARMS & PARTS	RAE 9005 30%			
DESCRIPTION	SCALE	1:5	LOUVERS	Untreated WRC			
PROJECT NR	ENGINEER	RW	PLASTIC PARTS	Black			
OPERATED BY	QTY	2	PLASTIC PARTS				
REVISIONS	STATE	Approved	98W	Ext	2108022-01-000	24	A0
REV	REV	01					





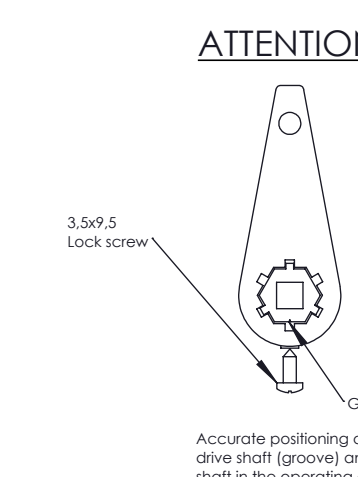
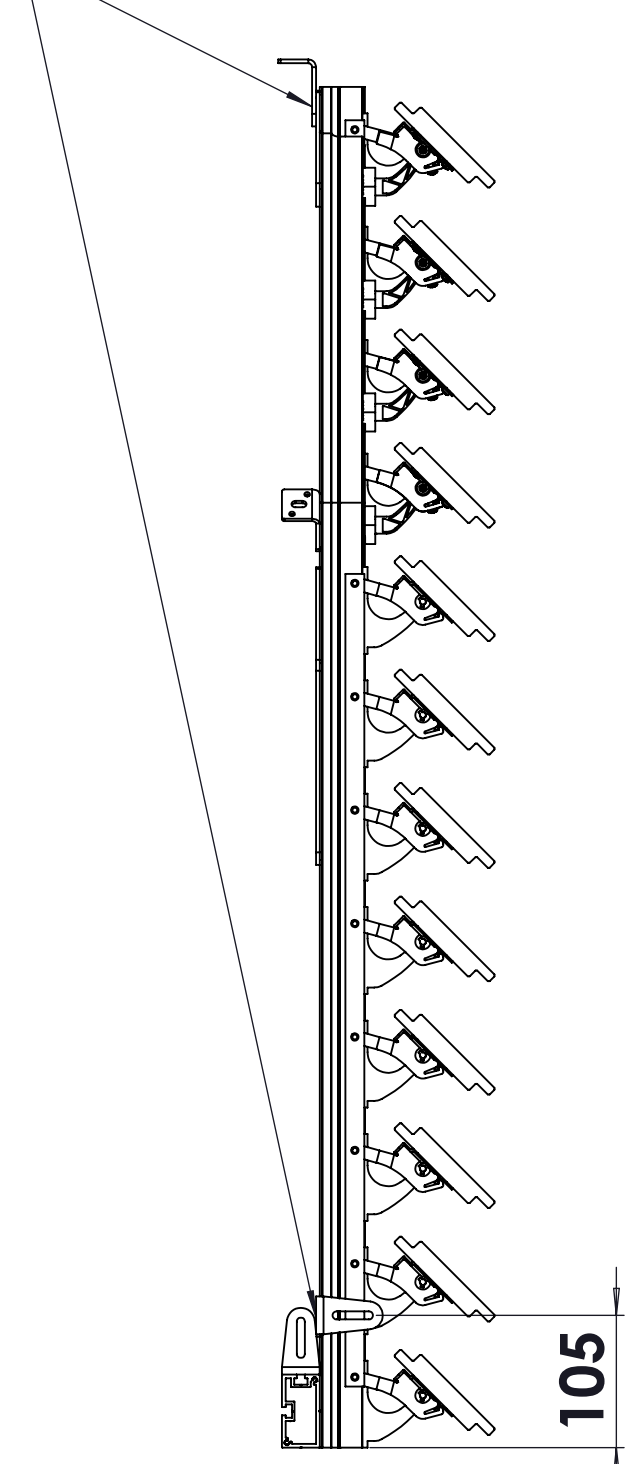


SECTION K-K  
SCALE 1:6



SECTION L-L  
SCALE 1:6

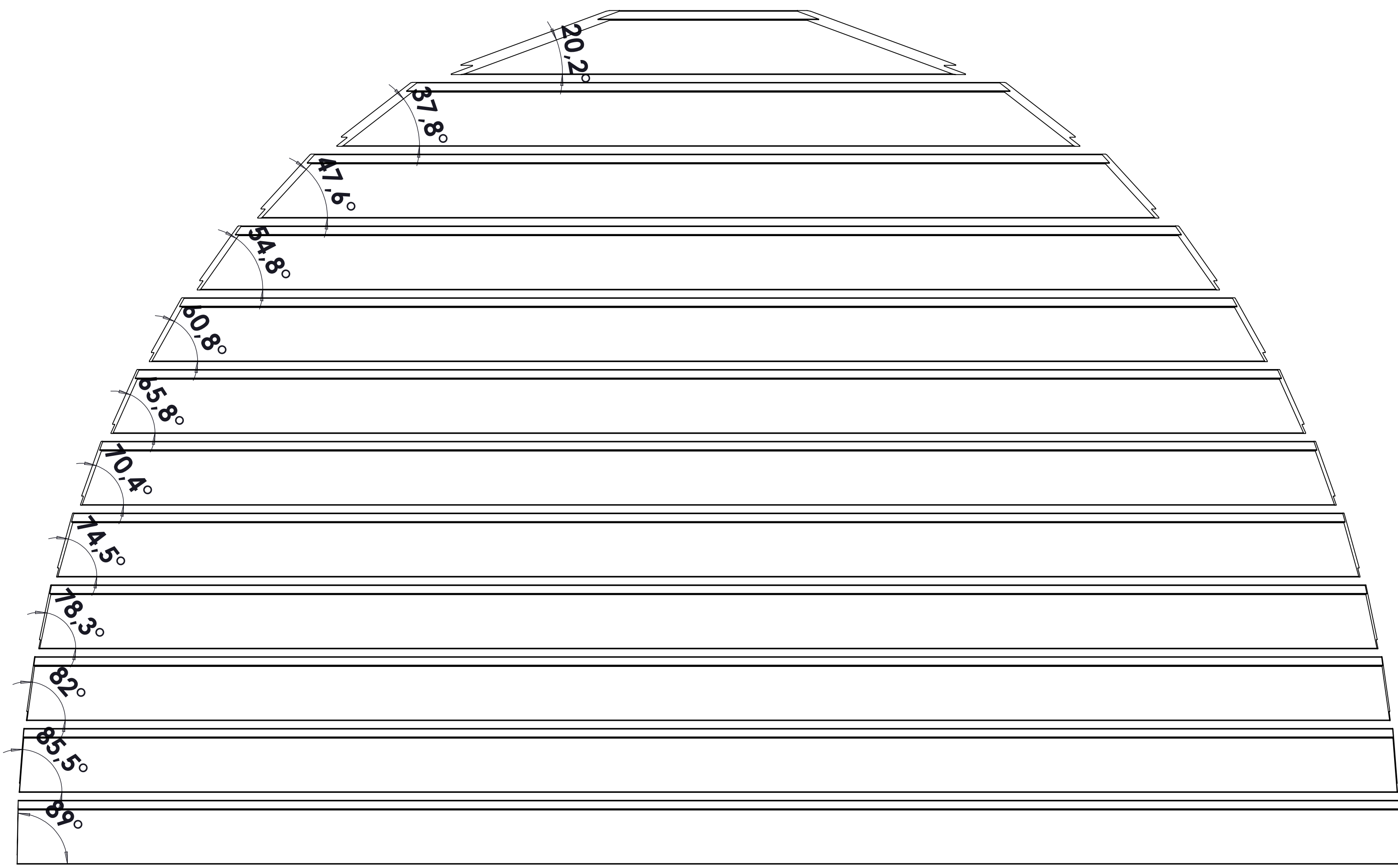
**INSERT T-BOLT  
TO RA  
BEFORE FIXING  
TO CROSSBAR**



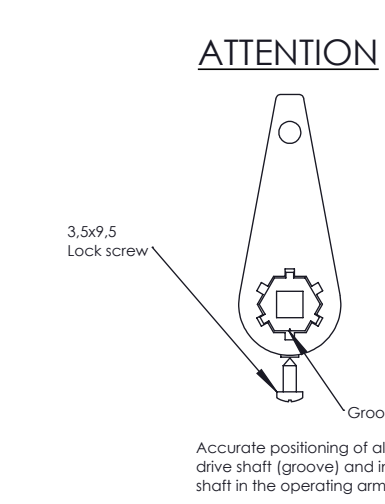
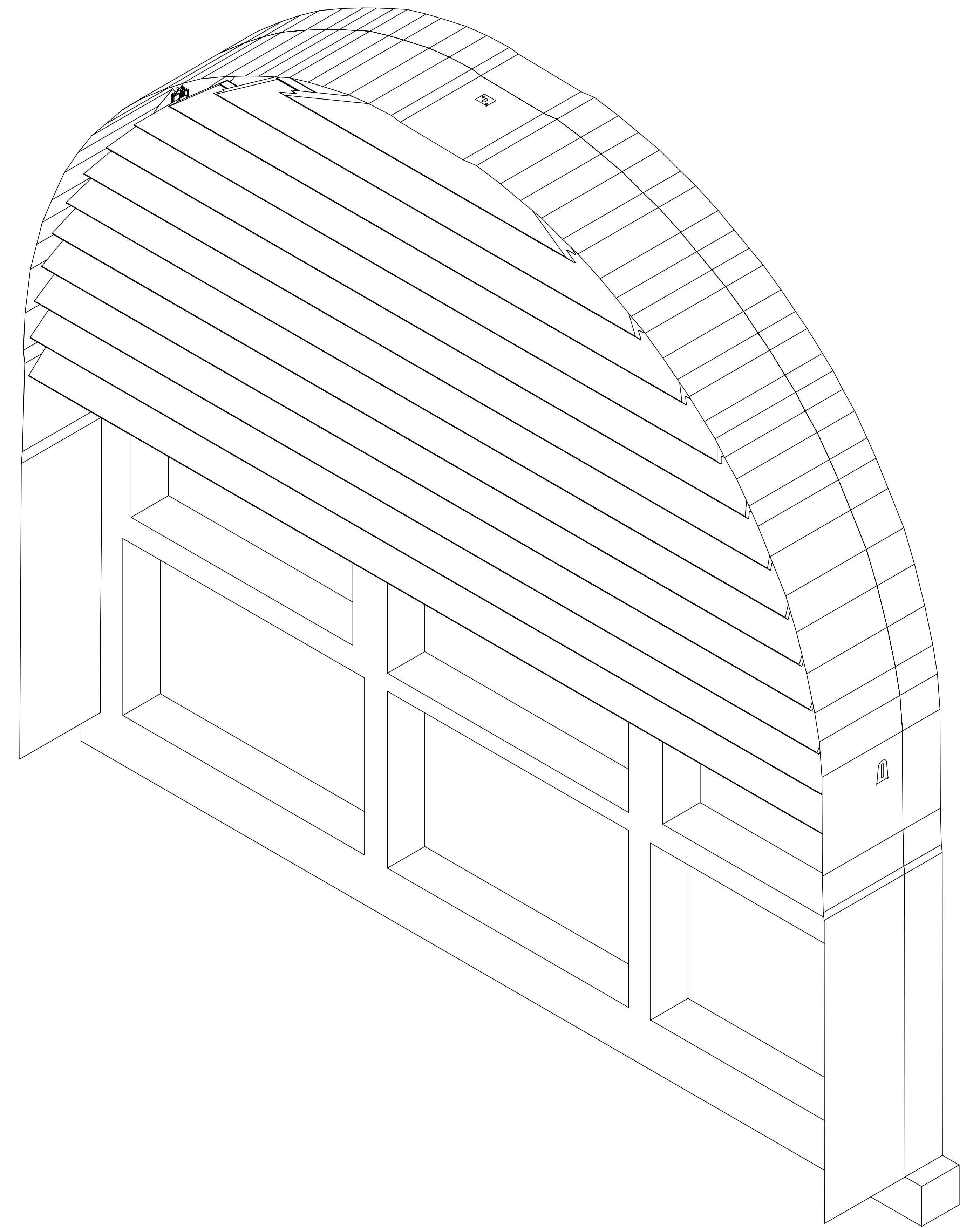
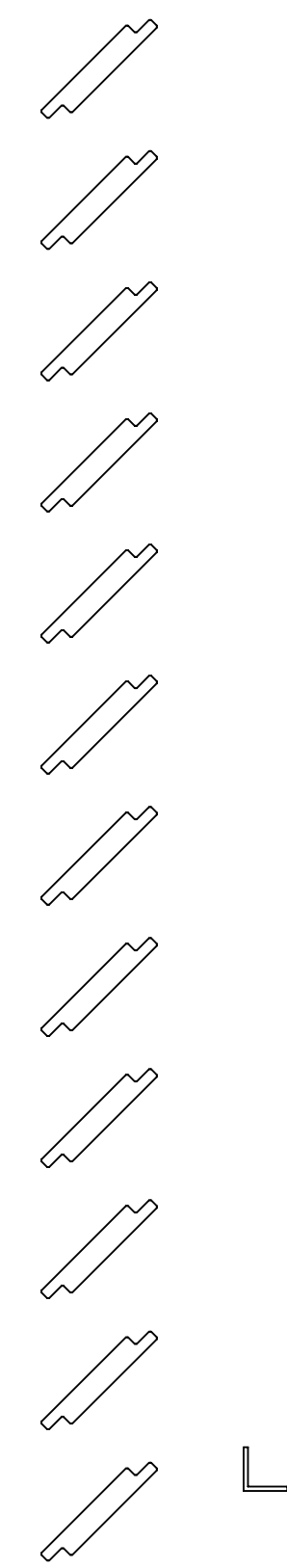
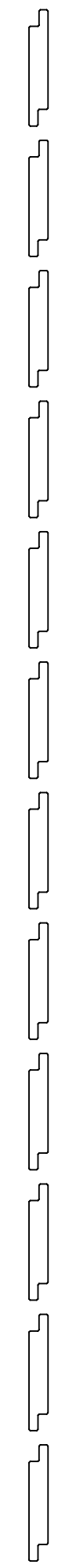
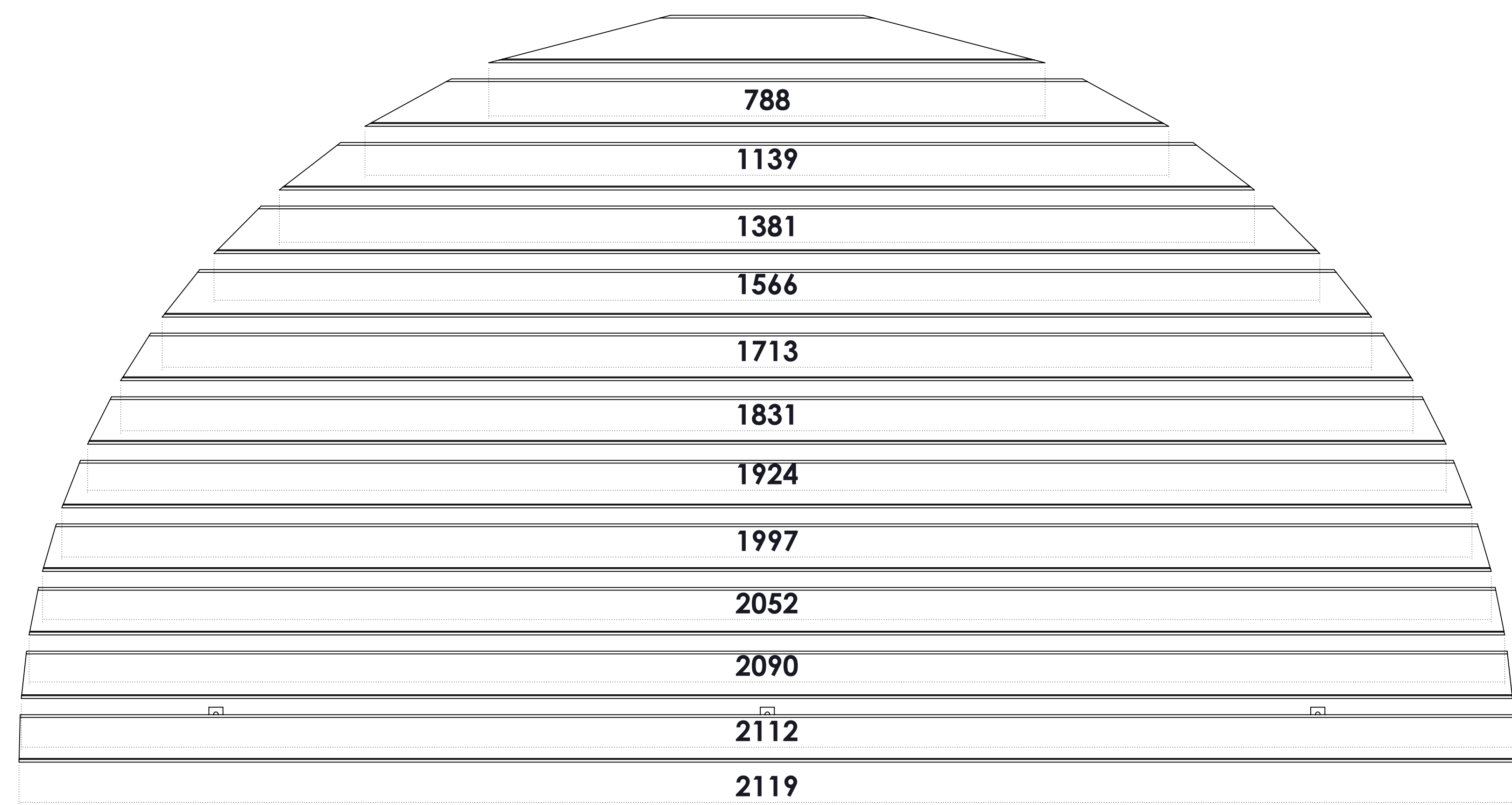
FASTENERS FOR INSTALLATION EXCLUDED (third party)				FASTENERS FOR SYSTEM ASSEMBLY INCLUDED			
CUSTOMER	DATE	14/02/2022	RACK ARMS & PARTS	RAL 9005 30%			
DESCRIPTION	SCALE	1:5	LOUVERS	Untreated WRC			
PROJECT NR	ENGINEER	RW	PLASTIC PARTS	Black			
Customer ID	QTY	Z	STATE	Ext	98W	2108022-01-000	3/4 A0
Project ID	REV	01	Approved				

**A/B ARCH**





Angles for Cutting  
Angle Left=AngleRight



FASTENERS FOR INSTALLATION EXCLUDED (third party)				FASTENERS FOR SYSTEM ASSEMBLY INCLUDED			
CUSTOMER	DATE	SCALE	1:5	RACK ARMS & PARTS	RAE 9005 30%	UNTREATED WRC	
DESCRIPTION	PROJECT NR	ENGINEER	RW	LOUVERS	PLASTIC PARTS	Black	
QUANTITY	QTY	STATE	Approved	98W	Ext	2108022-01-000	4/4 A0
REV	01						

A/B ARCH

