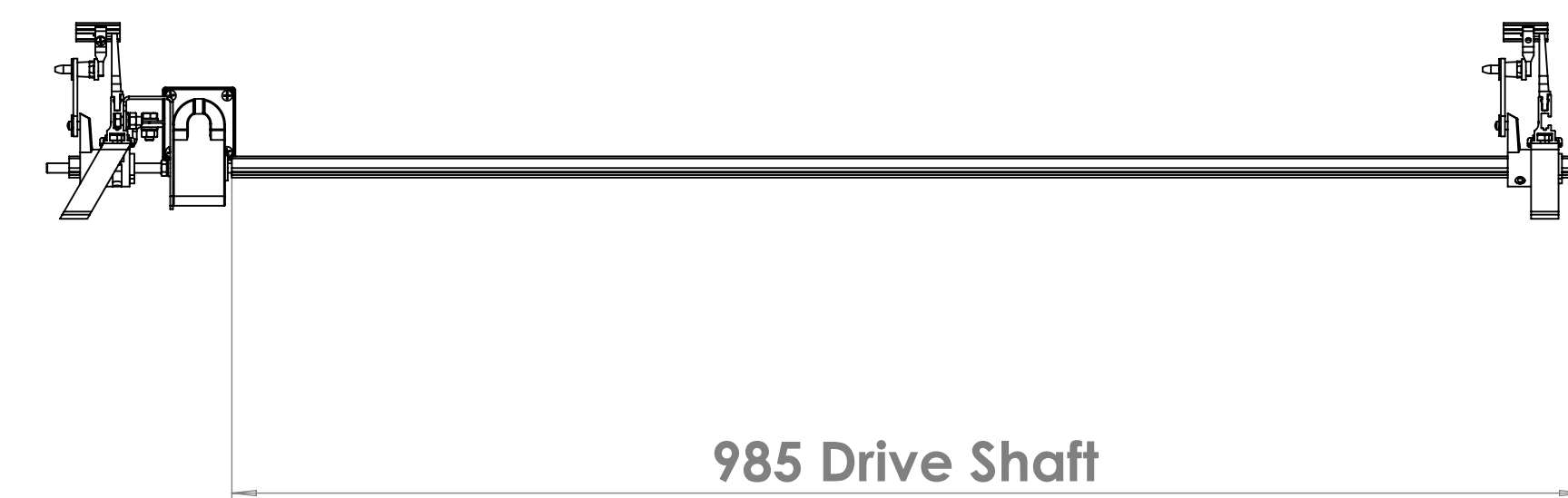
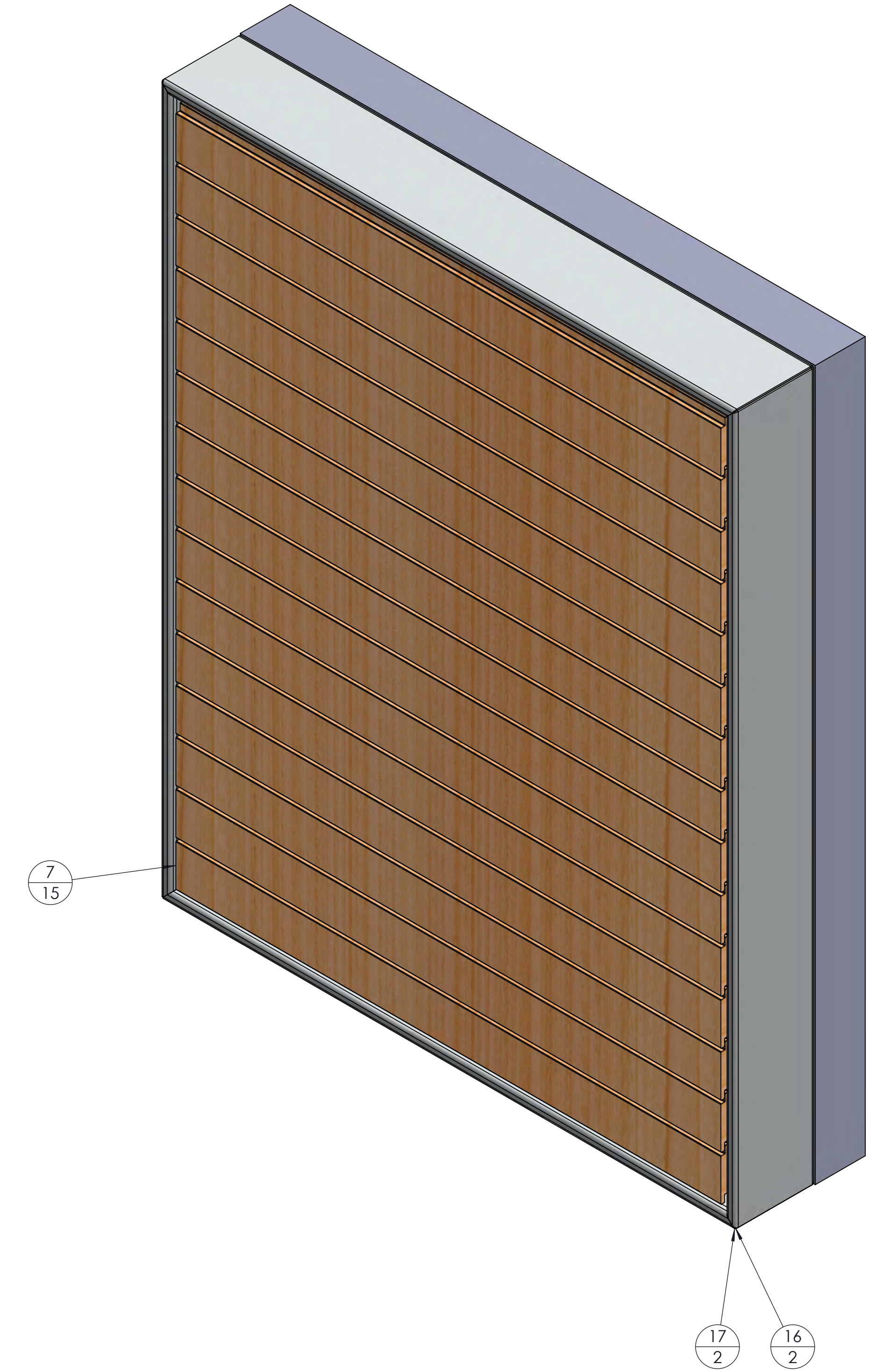
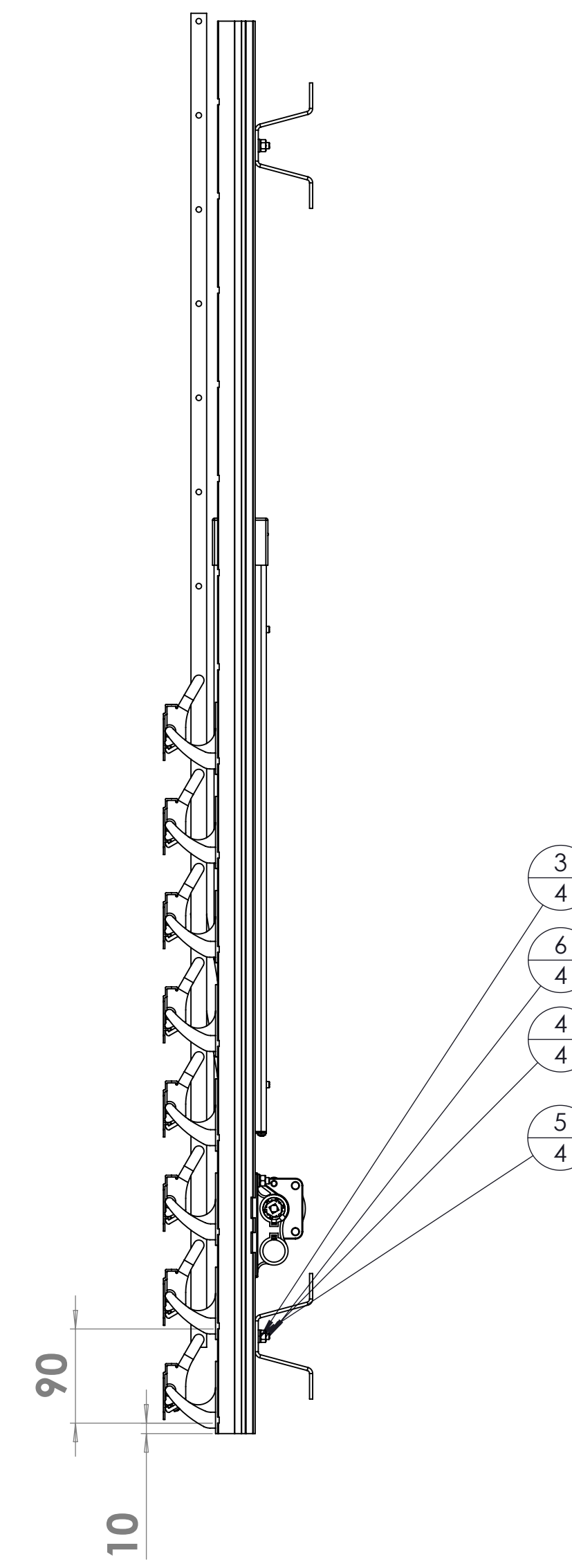
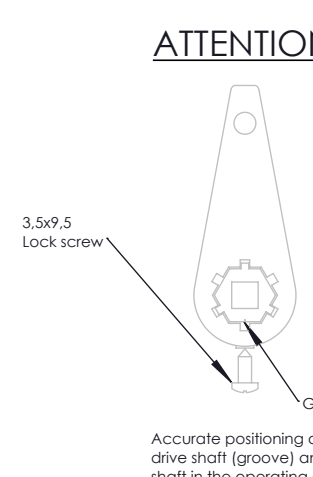


Closing Direction

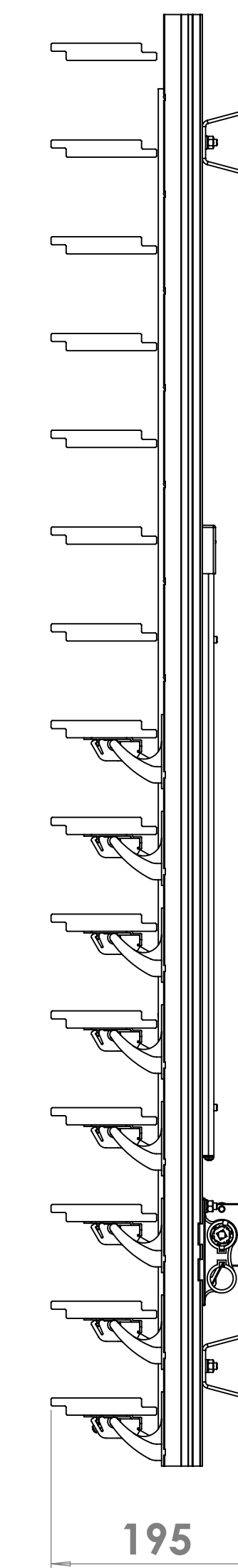
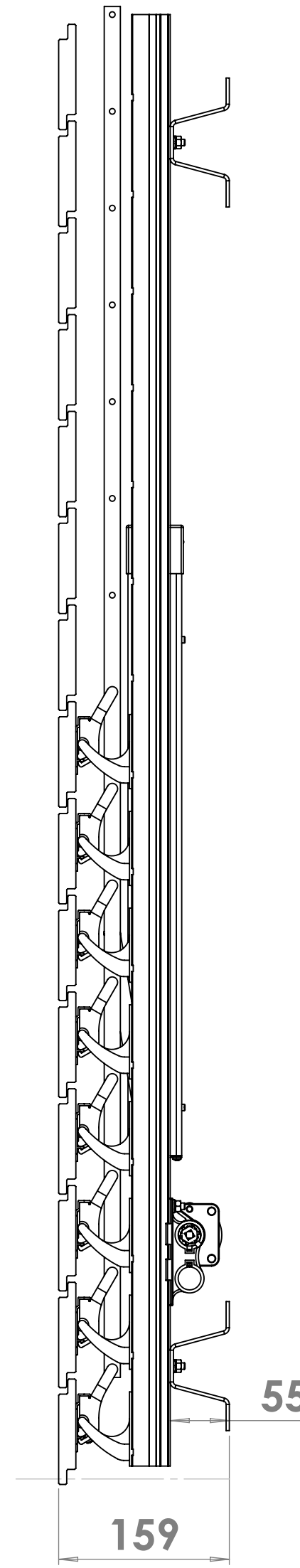
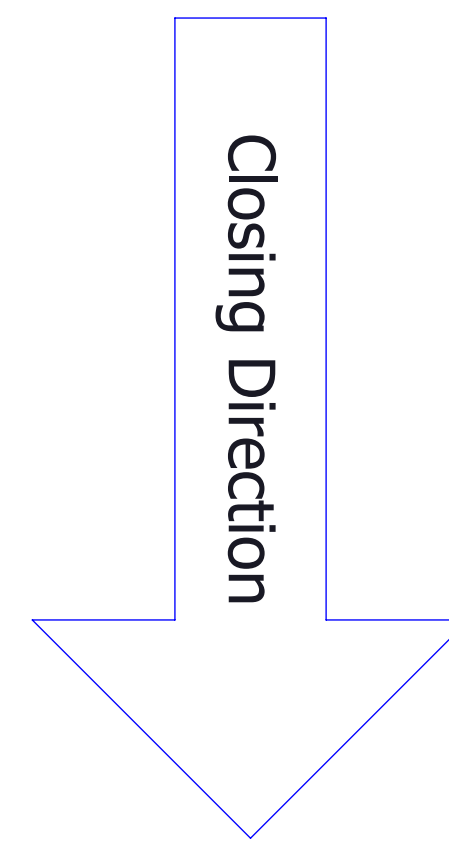
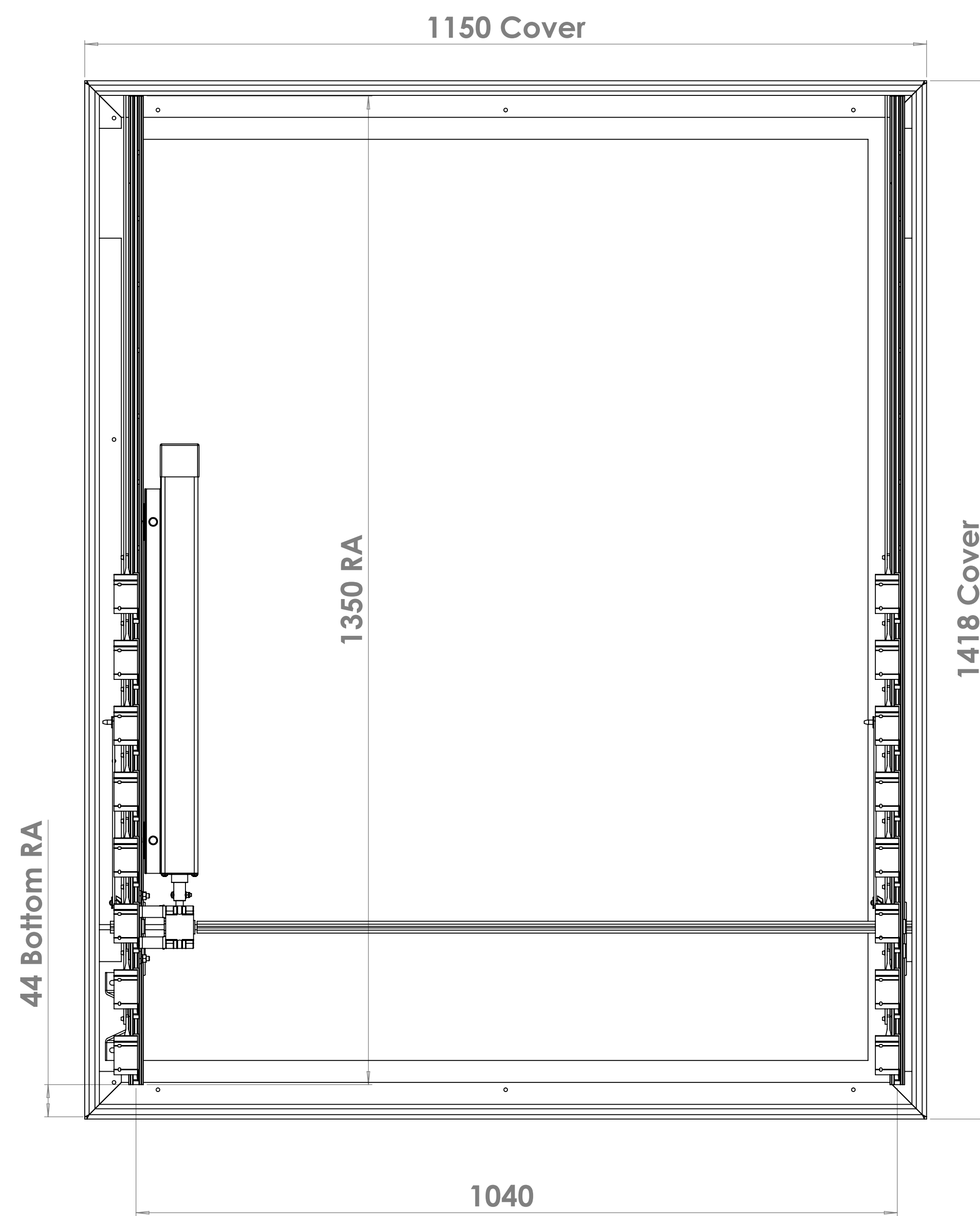
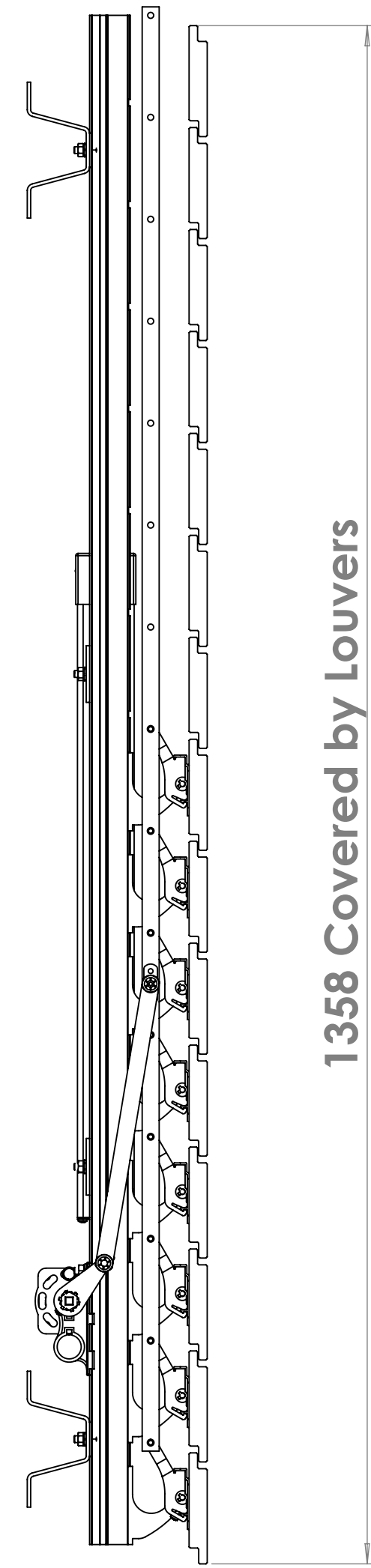
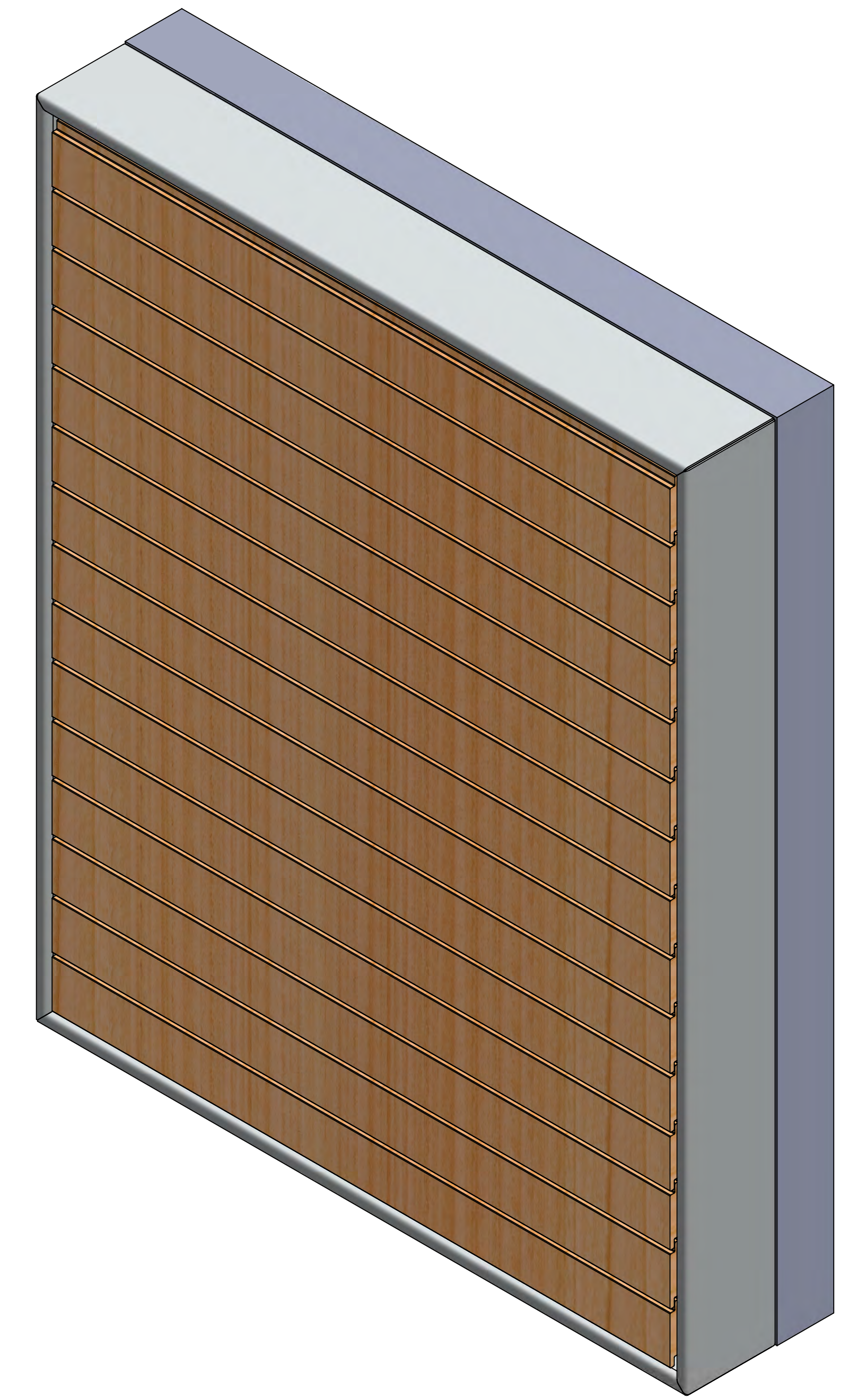
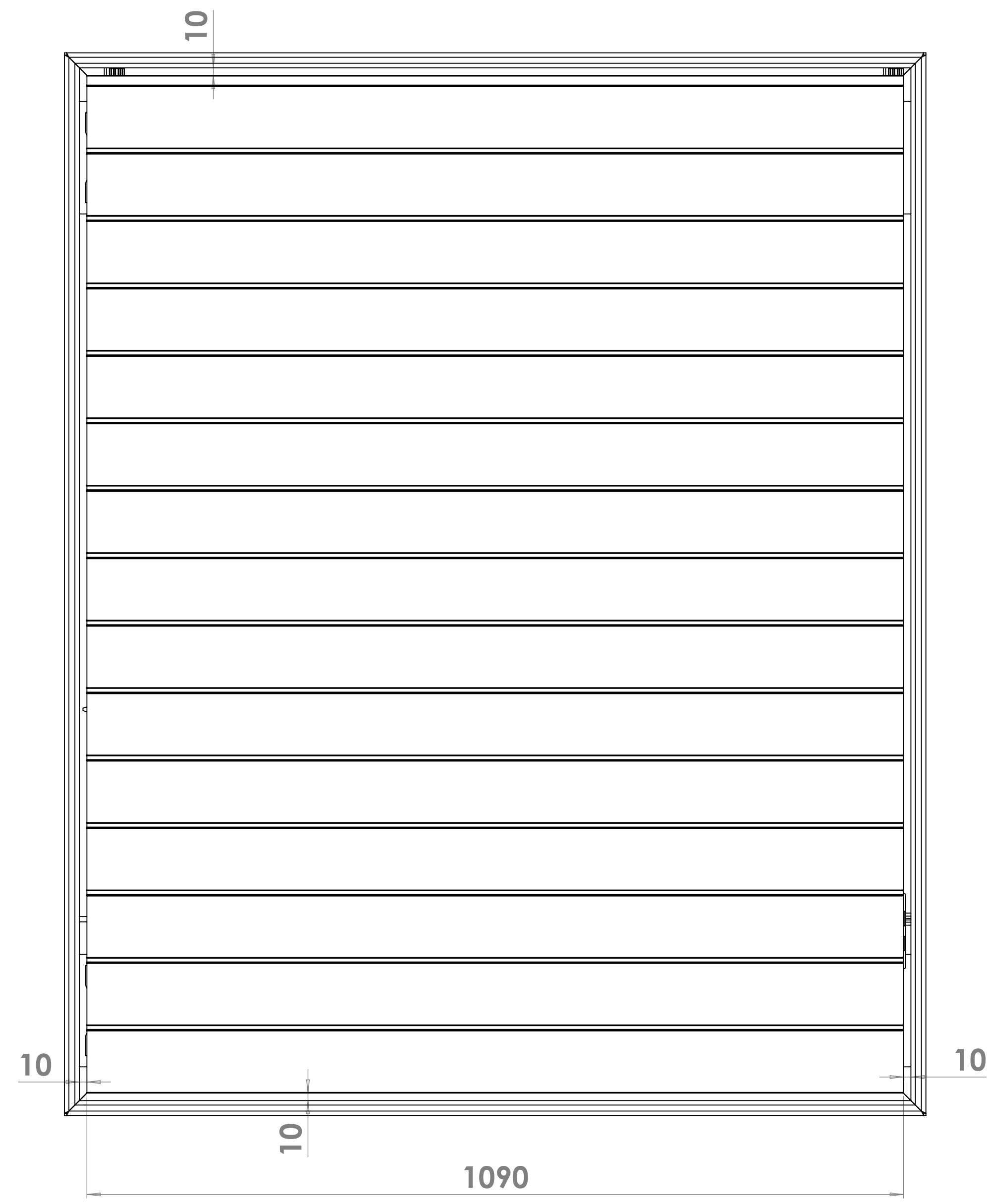


ITEM NO.	QTY.	SW-File Name (File Name)	DESCRIPTION	Comment 2
1	2	09 035 AS 98W	Standard Rack Arm, 35 mm, Pitch 90 (10) Assembled	L= 1350; Pitch 90 (10)
2	2	58 623	Omega H-55, 29x54x31x54x29 x 3 mm, lg=20mm	L=20
3	4	911	DIN 6798-A Lock washer M6	
4	4	910	DIN 934 Hexagon Nut M6	
5	4	908	DIN 125-1A Plain Washer M6	
6	4	901	DIN 933 Hexagon Head Bolt M6x16	
7	15	201220-01-401	98W Louver	L=1090
8	1	201220-01-502	Drive Shaft	L=985
9	*65*	939	DIN 7981 Panhead screw 3,5 x 9,5	
10	1	58 957 99 22	Exterior Motor kit for 7:1 IO/RTS (incl. Motorhood L=580)	L=580 (Motorhood)
11	1	28 143	Somfy SUNEAS SCR 40 IO, 13/10/230V, 5m white cable	
12	1	28 161	Somfy Situo 1 IO Pure Transmitter, White	
13	1	28 965	Hirschmann Set STAK/STAS-2 (Stak/Stas/clamp)	
14	2	58 631	Omega H-55; 60°, lg=20mm	L=20 (60°)
15	*30*	939	DIN 7981 Panhead screw 3,5 x 13	
16	2	201220-01-301	Side Cover L-R	L=1418
17	2	201220-01-302	Side Cover T-B	L=1150



FASTENERS FOR INSTALLATION EXCLUDED (third party)		FASTENERS FOR SYSTEM ASSEMBLY INCLUDED	
CUSTOMER	DATE	RACK ARMS & PARTS	RAL 9005 30%
DESCRIPTION	SCALE	LOUVERS	WRC
PROJECT NR	ENGINEER	PLASTIC PARTS	Black
201220	JM		
201220-01-000	Approved	98W	201220-01-000
24 A0	REV 01		





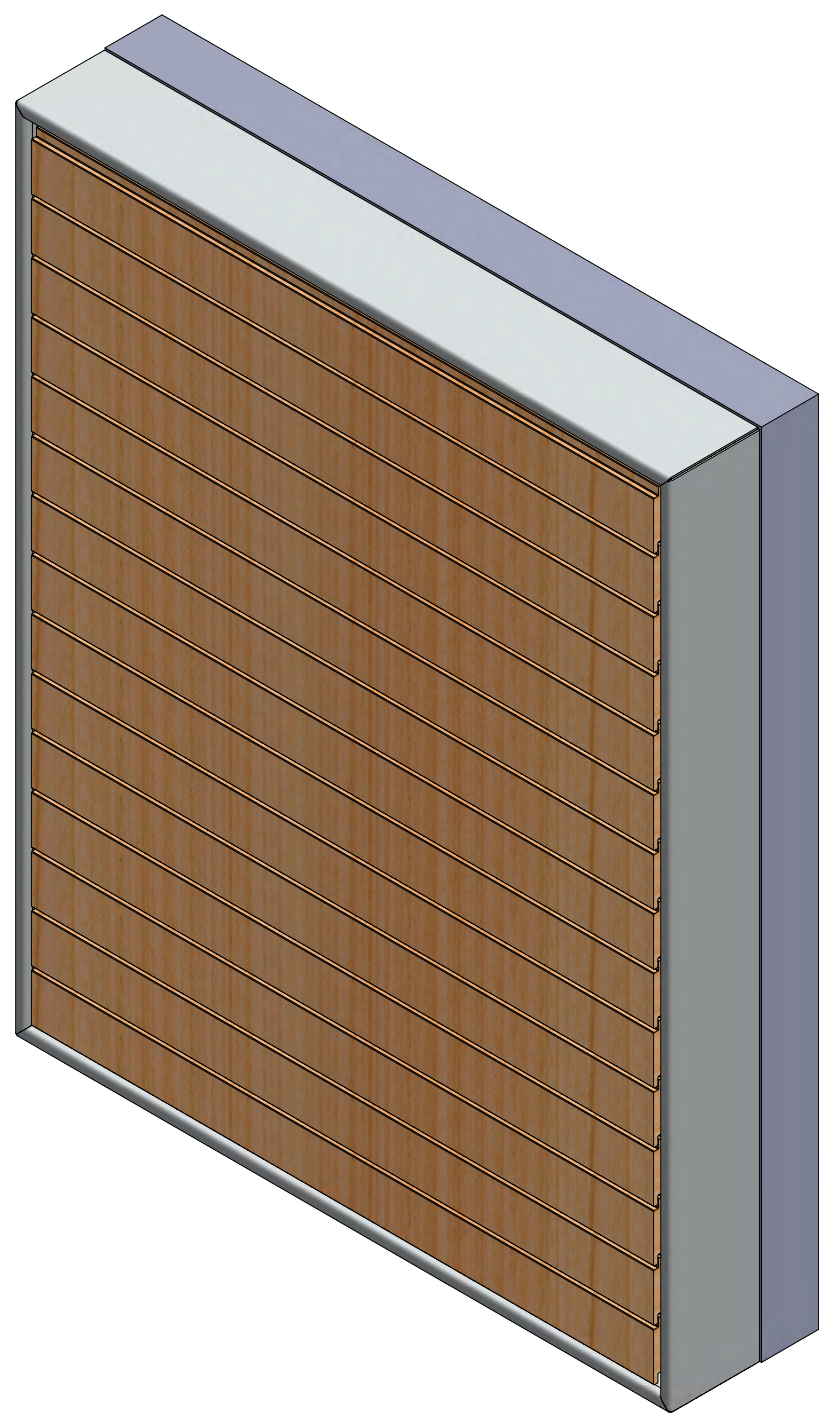
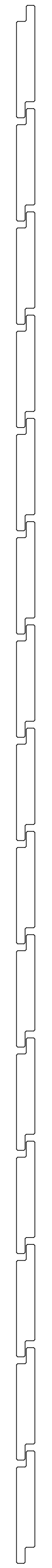
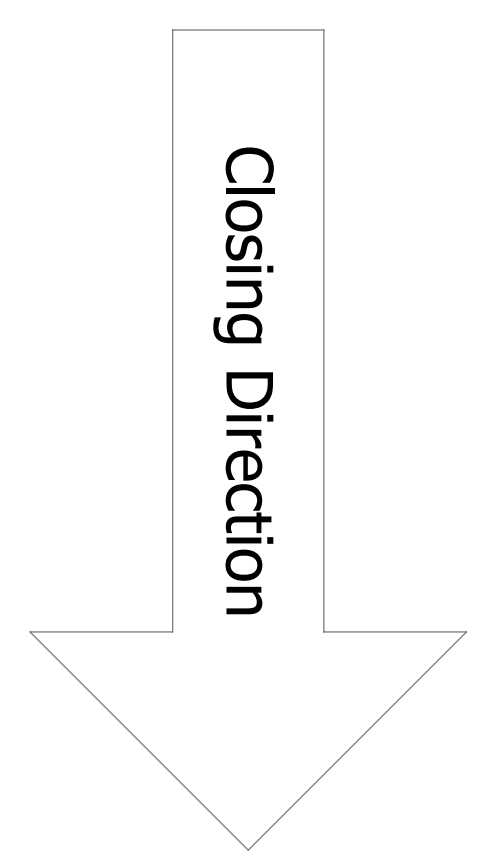
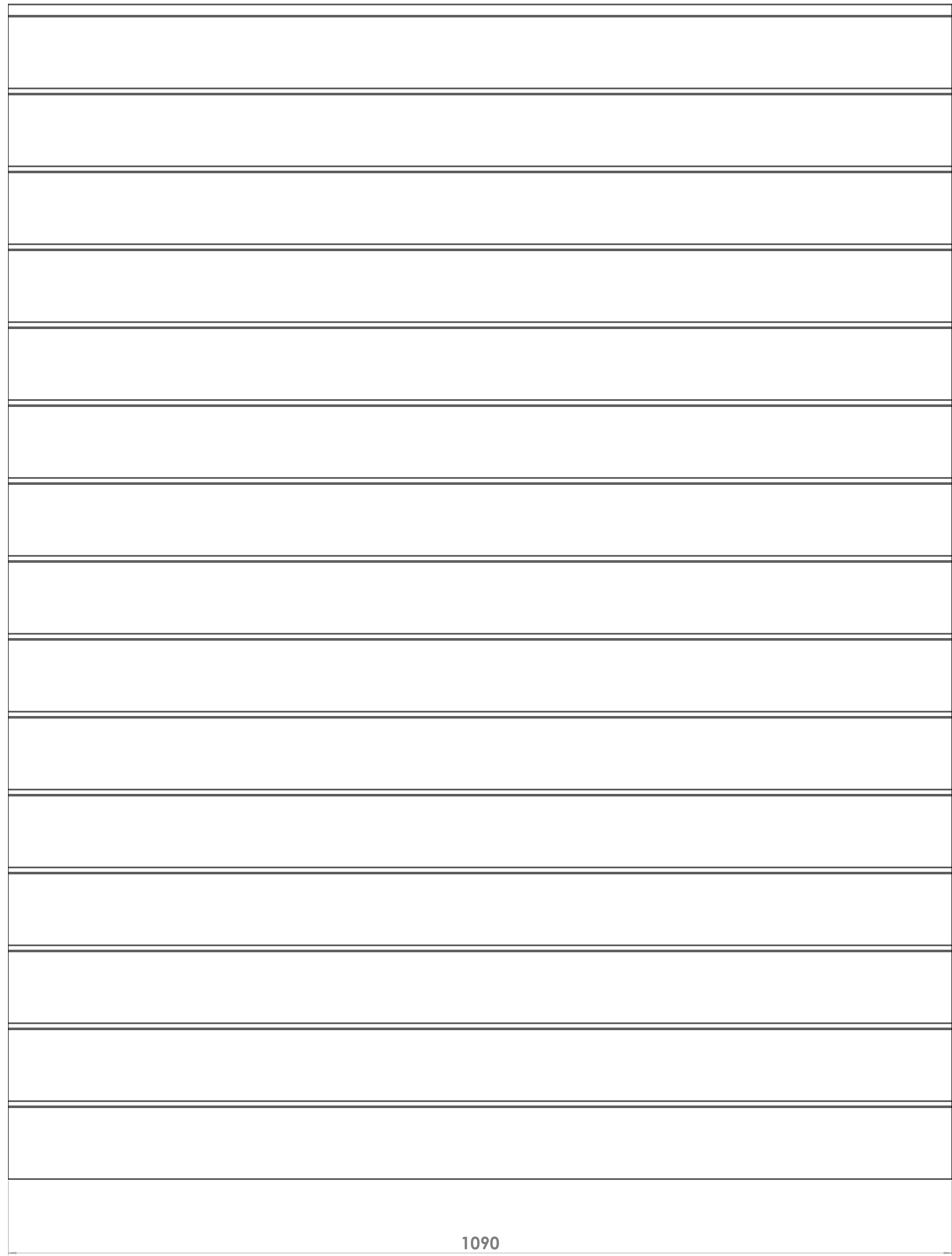
**ATTENTION**

3.5x3 Lock screw

Accurate positioning of the screw is essential for proper operation of the louver.

FASTENERS FOR INSTALLATION EXCLUDED (third party)		FASTENERS FOR SYSTEM ASSEMBLY INCLUDED	
MATERIAL		RACK ARMS & PARTS	RAL 9005 3075
CUSTOMER	DATE 17-12-2020	LOUVERS	WRC
DESCRIPTION	SCALE 1:5	PLASTIC PARTS	Black
PROJECT NR 201220	ENGINEER JM	QTY	REV
Approved for	STATE Approved	98W	201220-01-000
REVISION	REV 01	DATE	34 A0

**SUNSHIELD**  
UNIQUE LOUVERS



**ATTENTION**

Accurate positioning of the fastener is essential for proper operation of the louvre system. Refer to the technical drawing for the correct placement of the fastener.

FASTENERS FOR INSTALLATION EXCLUDED (third party)				FASTENERS FOR SYSTEM ASSEMBLY INCLUDED			
MATERIAL		DATE	17-12-2020	RACK ARMS & PARTS	RAL 9005 30%		
CUSTOMER		SCALE	1:2.5	LOUVERS	WRC		
DESCRIPTION		ENGINEER	JM	PLASTIC PARTS	Black		
PROJECT NR	201220	QTY	1	STATE	Ext	201220-01-000	4.4 A0
REVISIONS		REV	01	APPROVED			

**SUNSHIELD**  
UNIQUE LOUVERS