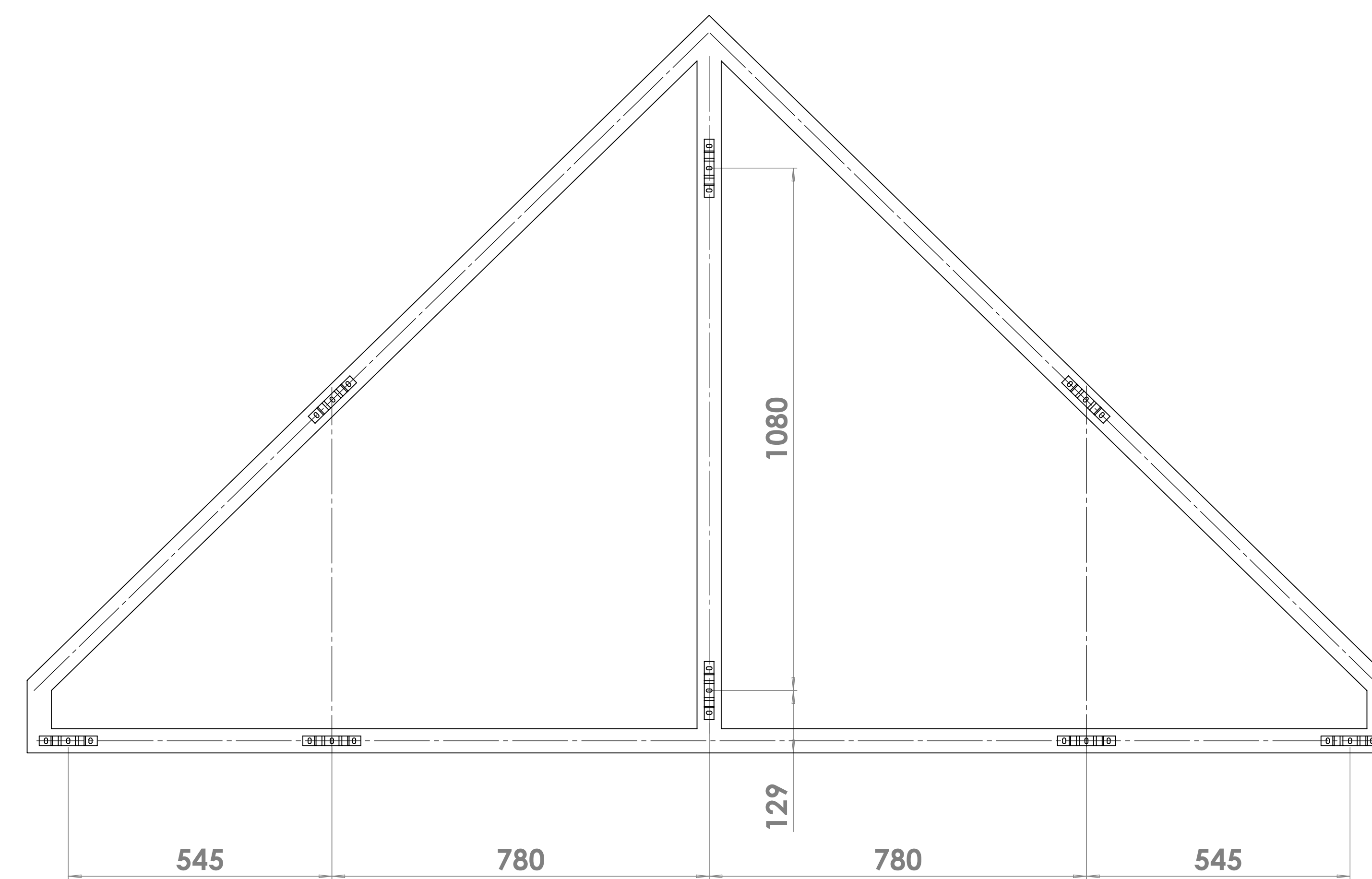
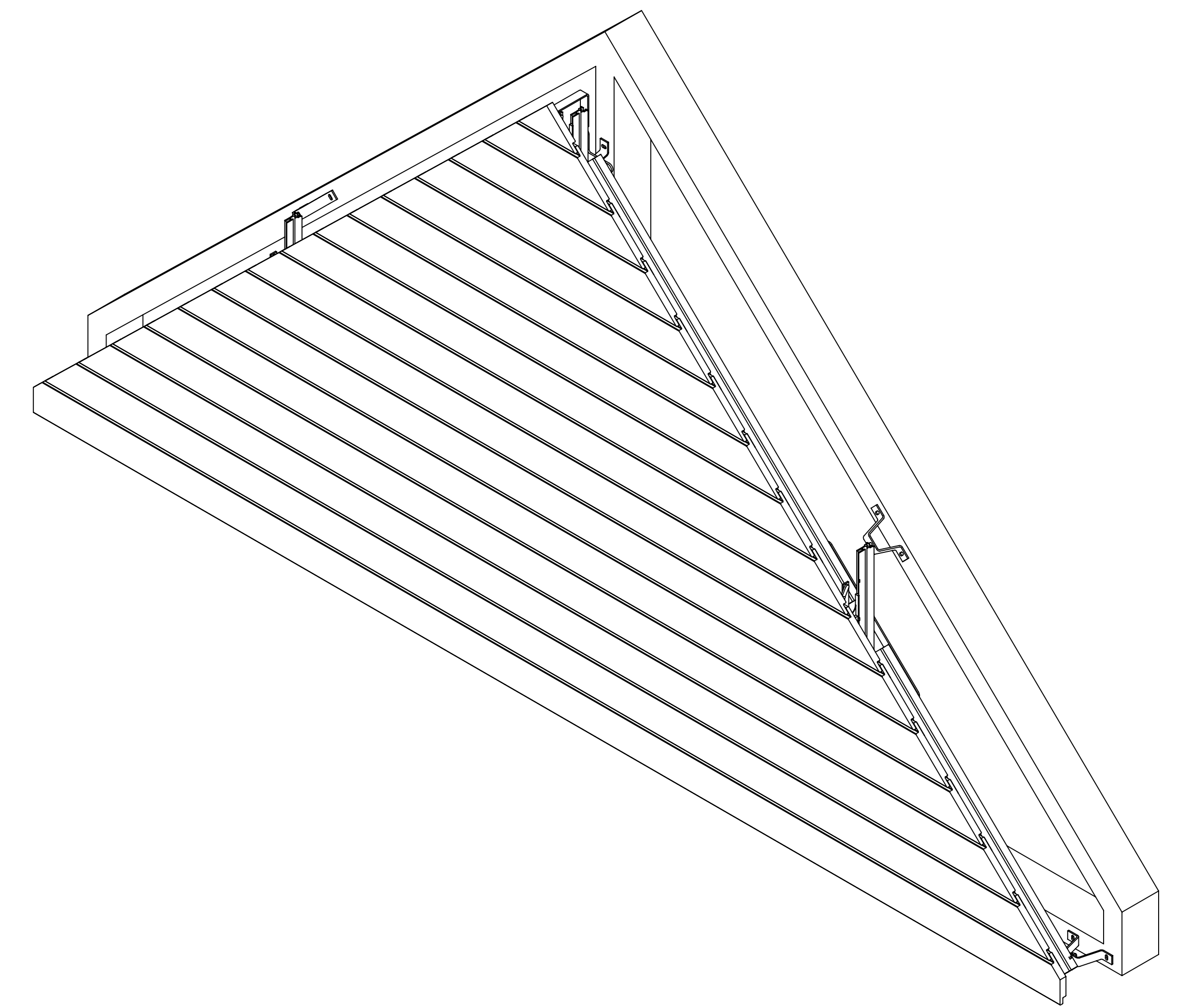
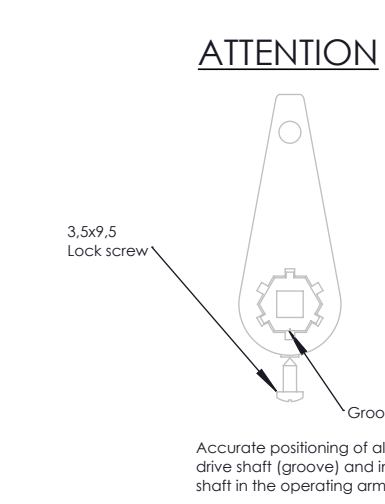
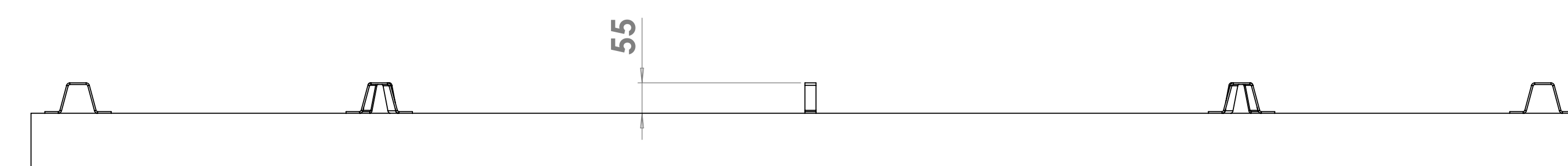


Window Frame



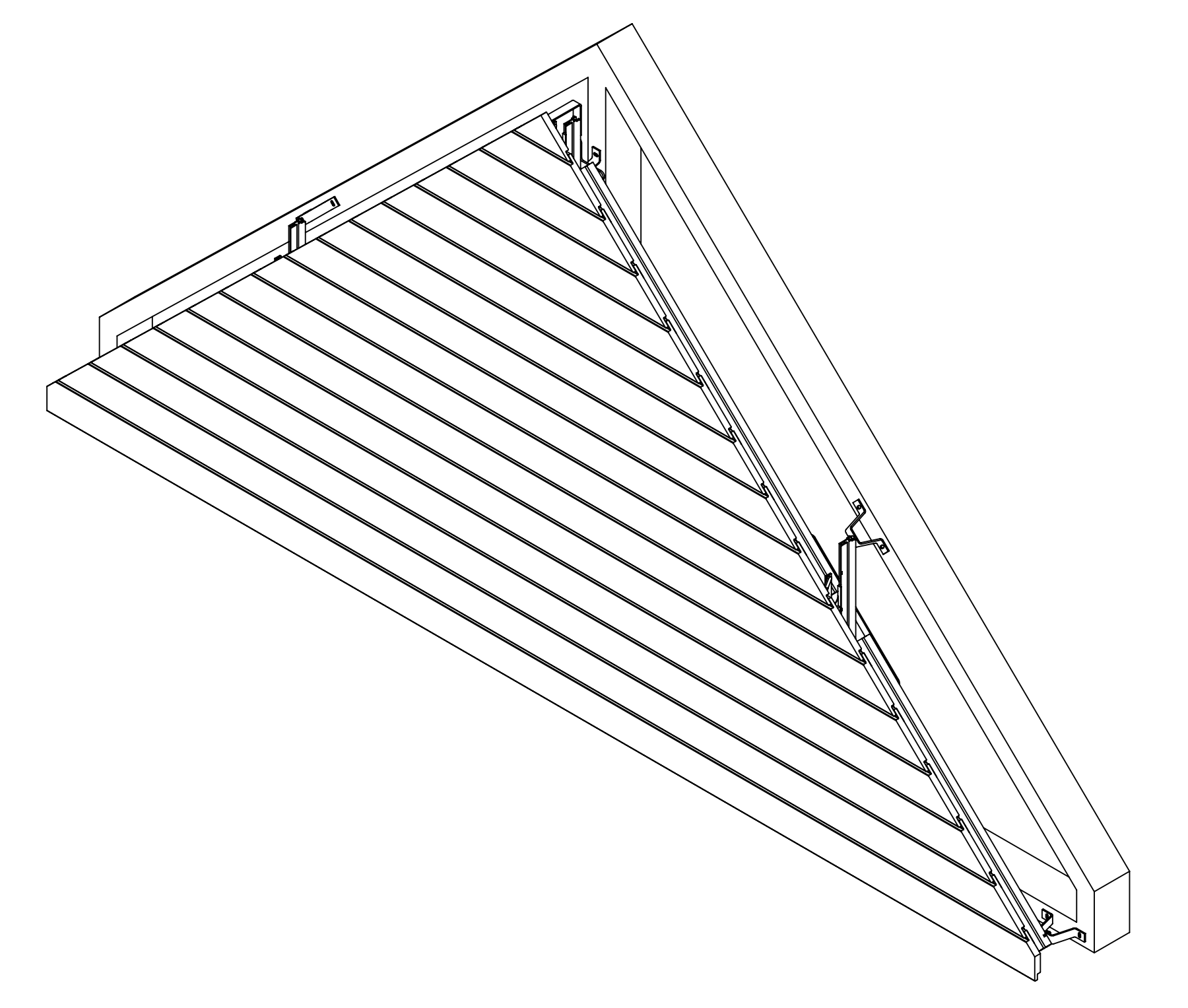
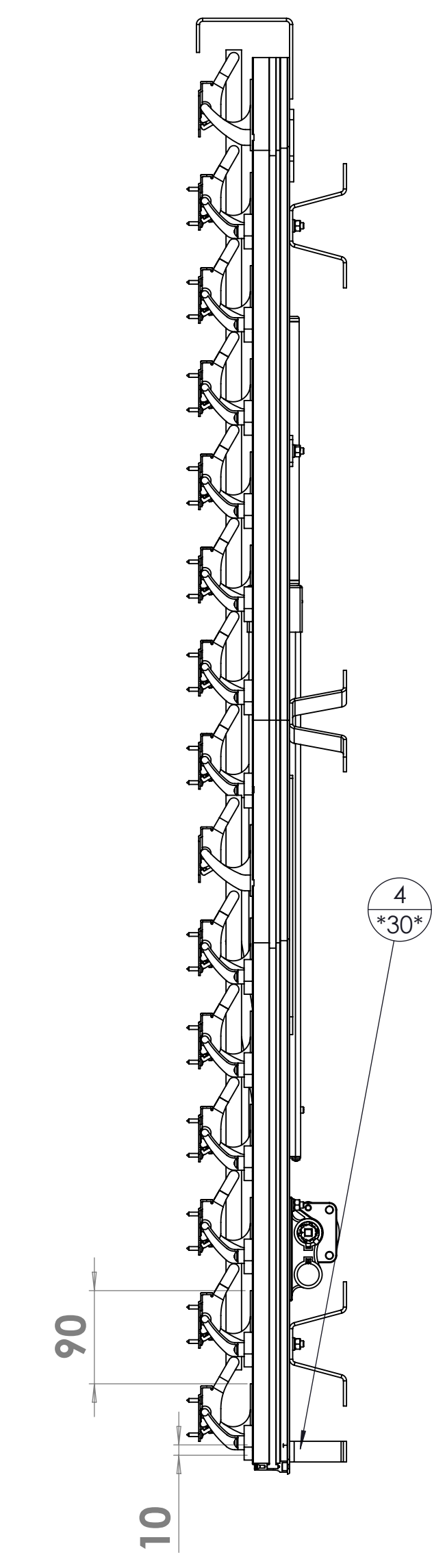
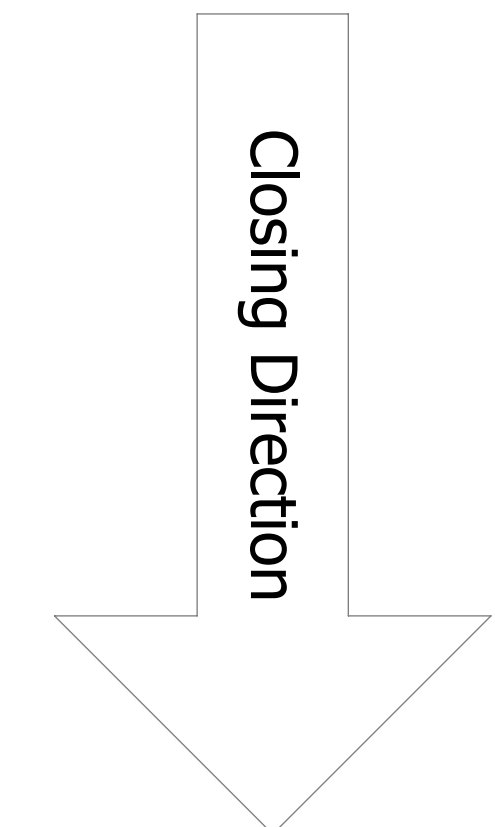
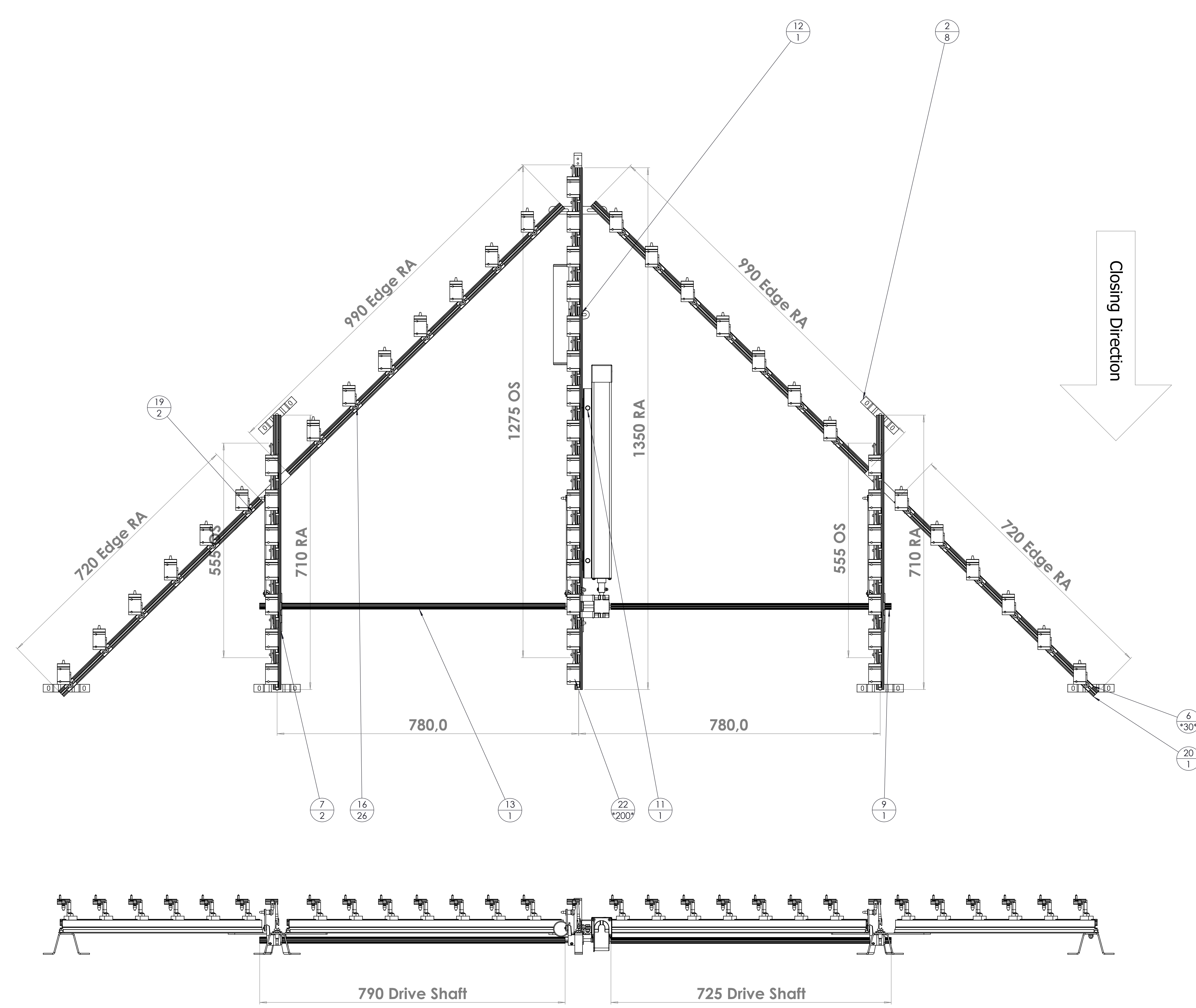
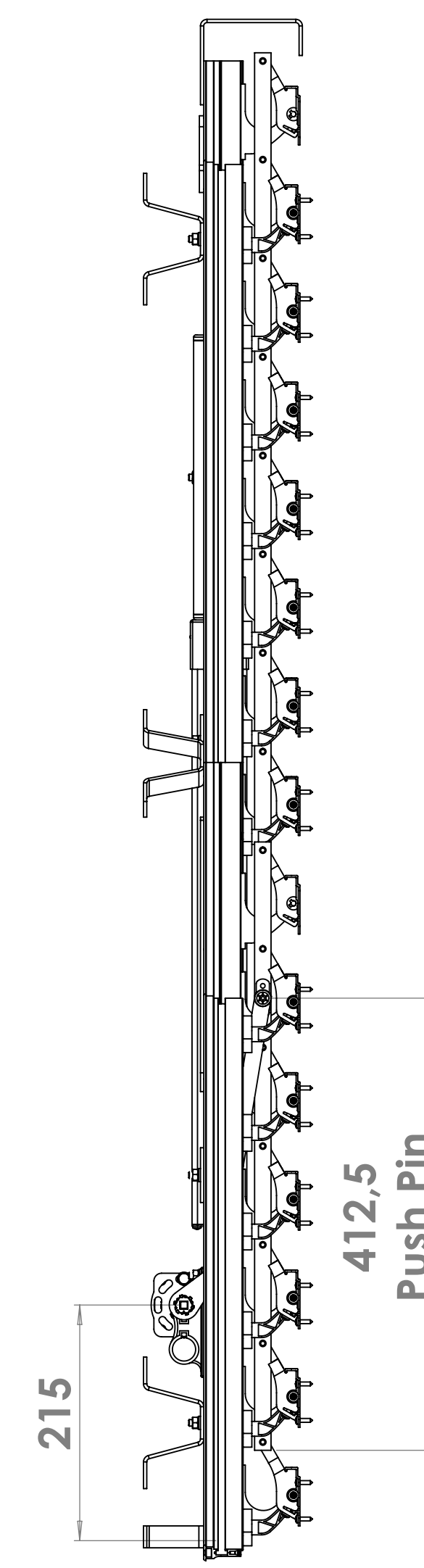
Window Frame with Brackets



FASTENERS FOR INSTALLATION EXCLUDED (third party)		FASTENERS FOR SYSTEM ASSEMBLY INCLUDED	
MATERIAL		RACK ARMS & PARTS	RAL 7015 30%
CUSTOMER	DATE 4-10-2021	LOUVERS	RAL 7015 30%
DESCRIPTION	SCALE 1:7.5	PLASTIC PARTS	Black
PROJECT NR 2108004	ENGINEER SD		
Customer's Ref. NL 4941 V1	QTY 1	STATE Ext	2108004-01-000
Project's Ref. RopmidoOrkiszvler	REV 01		
The Netherlands			
www.sunshield.nl			
info@sunshield.nl			
+31 (0) 485 485 485			
www.sunshield.nl			

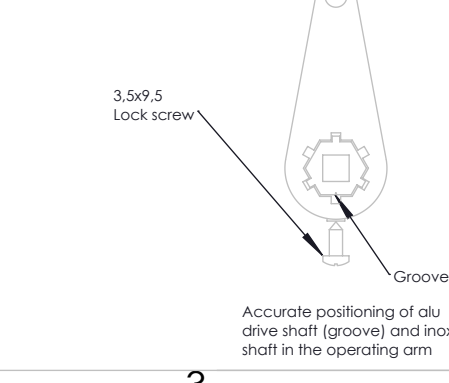




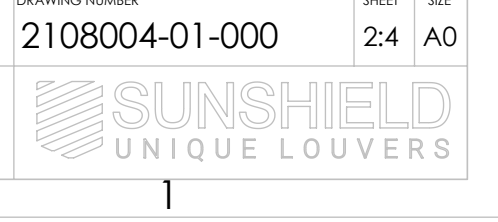


ITEM NO.	QTY.	SW-File Name (File Name)	DESCRIPTION	Comment 2
1	1	2108004-01-110	Standard Rack Arm, 35 mm, Pitch 90 (10) Assembled	L= 1350; Pitch 90 (10)
2	8	58 623	Omega H-55, 29x54x31x54x29 x 3 mm, lg=20mm	L=20
3	*30*	911	DIN 6798-A Lock washer M6	
4	*30*	910	DIN 934 Hexagon Nut M6	
5	*30*	908	DIN 125-1A Plain Washer M6	
6	*30*	901	DIN 933 Hexagon Head Bolt M6x16	
7	2	2108004-01-110	Standard Rack Arm, 35 mm, Pitch 90 (10) Assembled	L= 710; Pitch 90 (10)
8	16	2108004-01-402	98W Louver	L= See DWG
9	1	2108004-01-501	Drive Shaft 14/7 mm, for RAL Coating	L=725
10	*2*	939	DIN 7981 Panhead screw 3,5 x 9,5	
11	1	58 957 99 11	Exterior Motor kit for 7:1 Hard Wired (incl. Motorhood L=545)	(L=545 (Motorhood))
12	1	58 988	Stak/Stas Protecting Kit (incl. Tube, Plugs & Bracket) (lg=250mm)	
13	1	2108004-01-502	Drive Shaft 14/7 mm, for RAL Coating	L=790
14	1	2108004-01-201	Edge Rack Arm, 35 mm	L=990
15	1	2108004-01-202	Edge Rack Arm, 35 mm	L=720
16	26	88 300	Turnable Edge Pivot Kit S-System Pitch-70/90 (incl. short slot clip & screw)	
17	1	28 102	Somfy LS40 VULCAN Motor 13/10/230V, 3m white cable	
18	1	28 933	Hirschmann Set STAK/STAS-3 (Stak/Stas/clamp)	
19	2	58 305	Rack Arm Connector Center-Strip, 5 holes (M6), 20x3mm, lg=350mm	L=350
20	1	2108004-01-204	Edge Rack Arm, 35 mm	L=720
21	1	2108004-01-203	Edge Rack Arm, 35 mm	L=990
22	*200*	939	DIN 7981 Panhead screw 3,5 x 13	
23	1	Cross Bracket S-System	Edge RA Cross Bracket	
24	1	2108004-01-301	Fixed Louver Bracket	T=3 <sup>01</sup>

ATTENTION

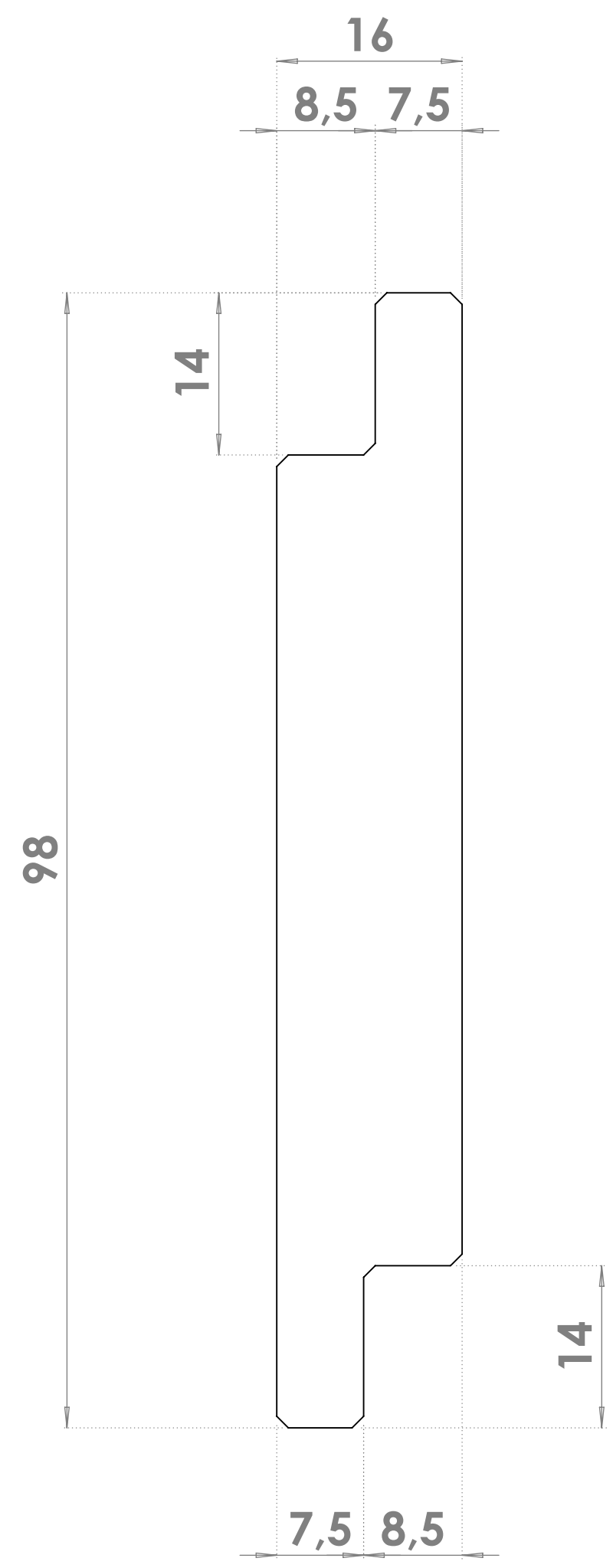


FASTENERS FOR INSTALLATION EXCLUDED (third party)				FASTENERS FOR SYSTEM ASSEMBLY INCLUDED			
CUSTOMER	DATE	4-10-2021	RACK ARMS & PARTS	RAL 7015 30%			
DESCRIPTION	SCALE	1:5	LOUVERS	RAL 7015 30%			
PROJECT NR	ENGINEER	SD	PLASTIC PARTS	Black			
OPERATED BY	QTY	1	Ext	2108004-01-000	24	A0	
NL 4941 VL	STATE	Approved	REV	01			
RapidoOrbiter	REV	01					

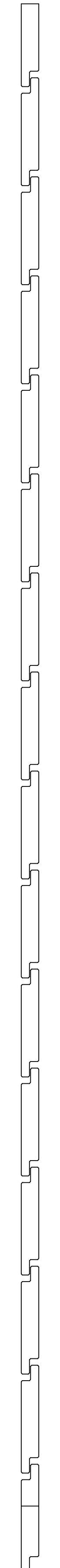
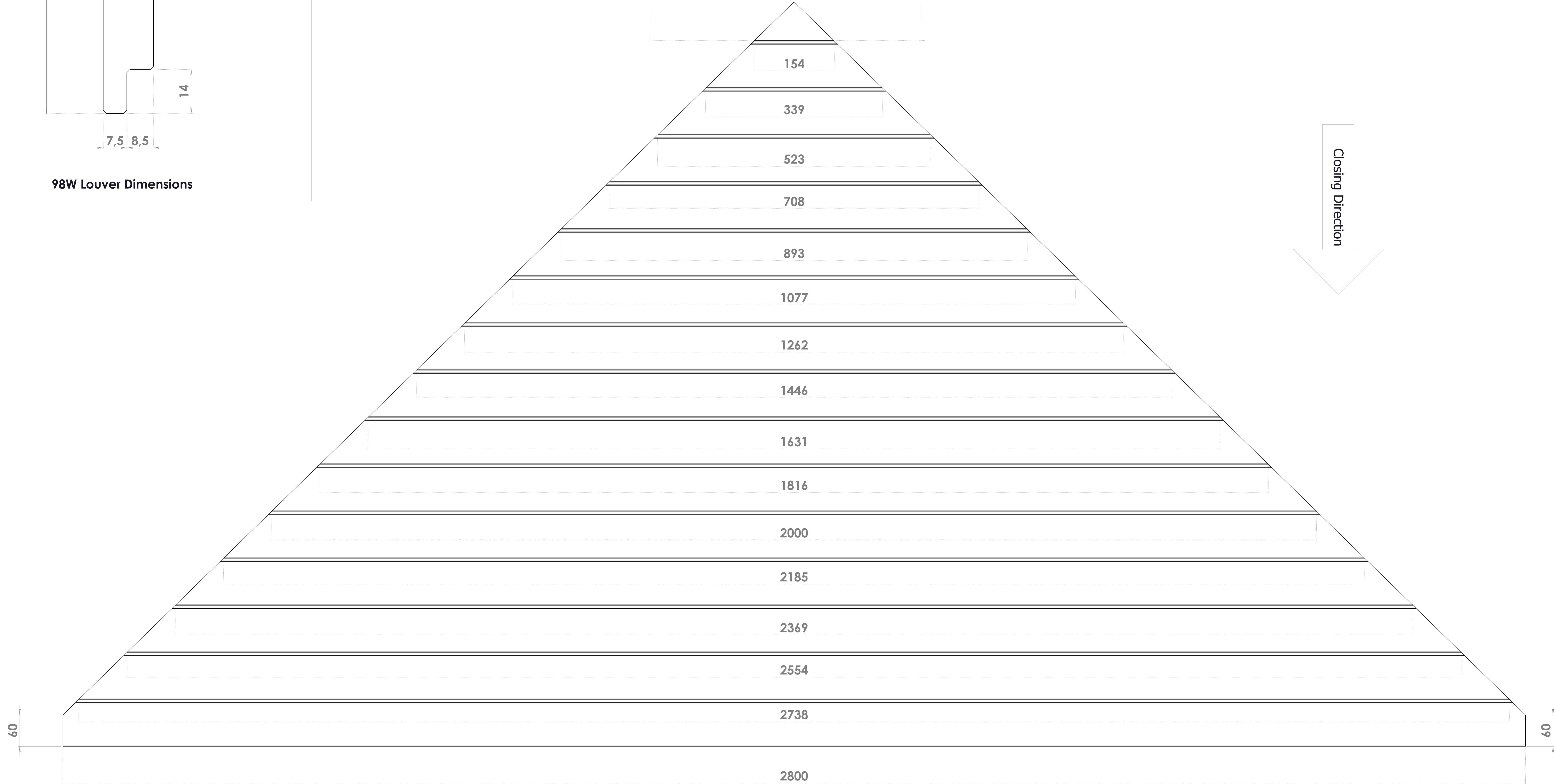
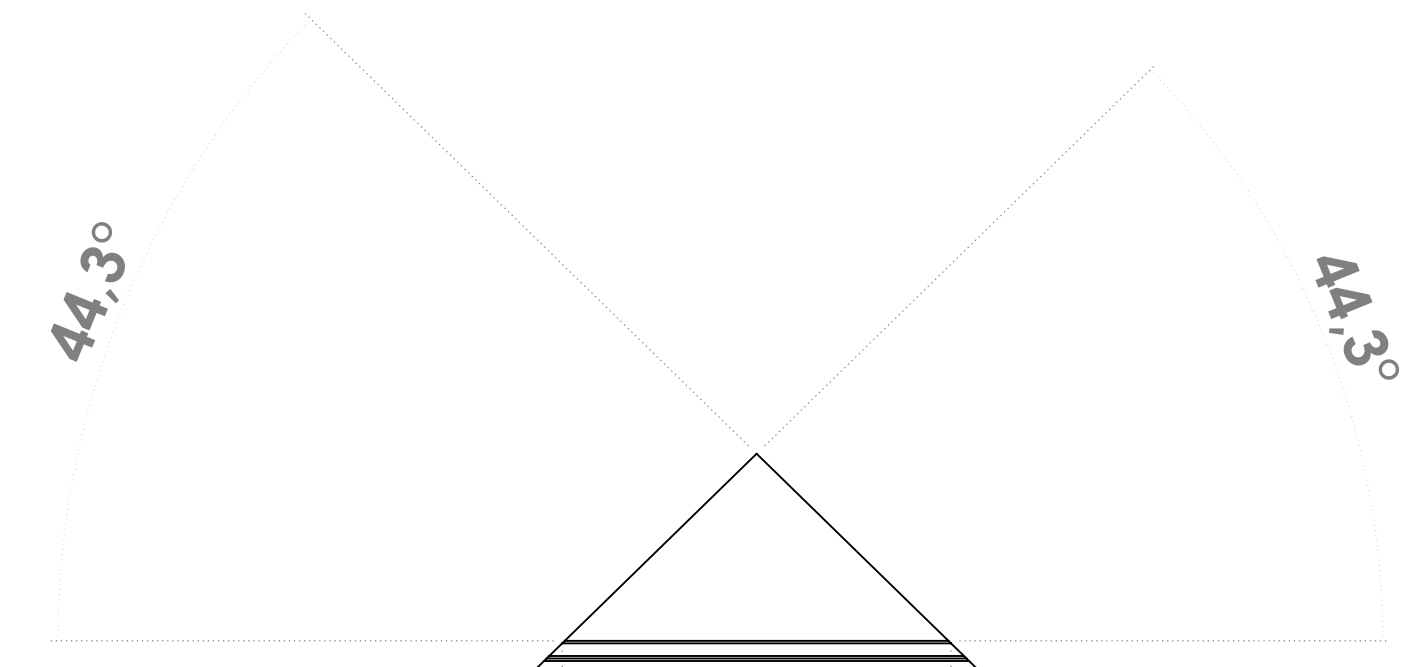
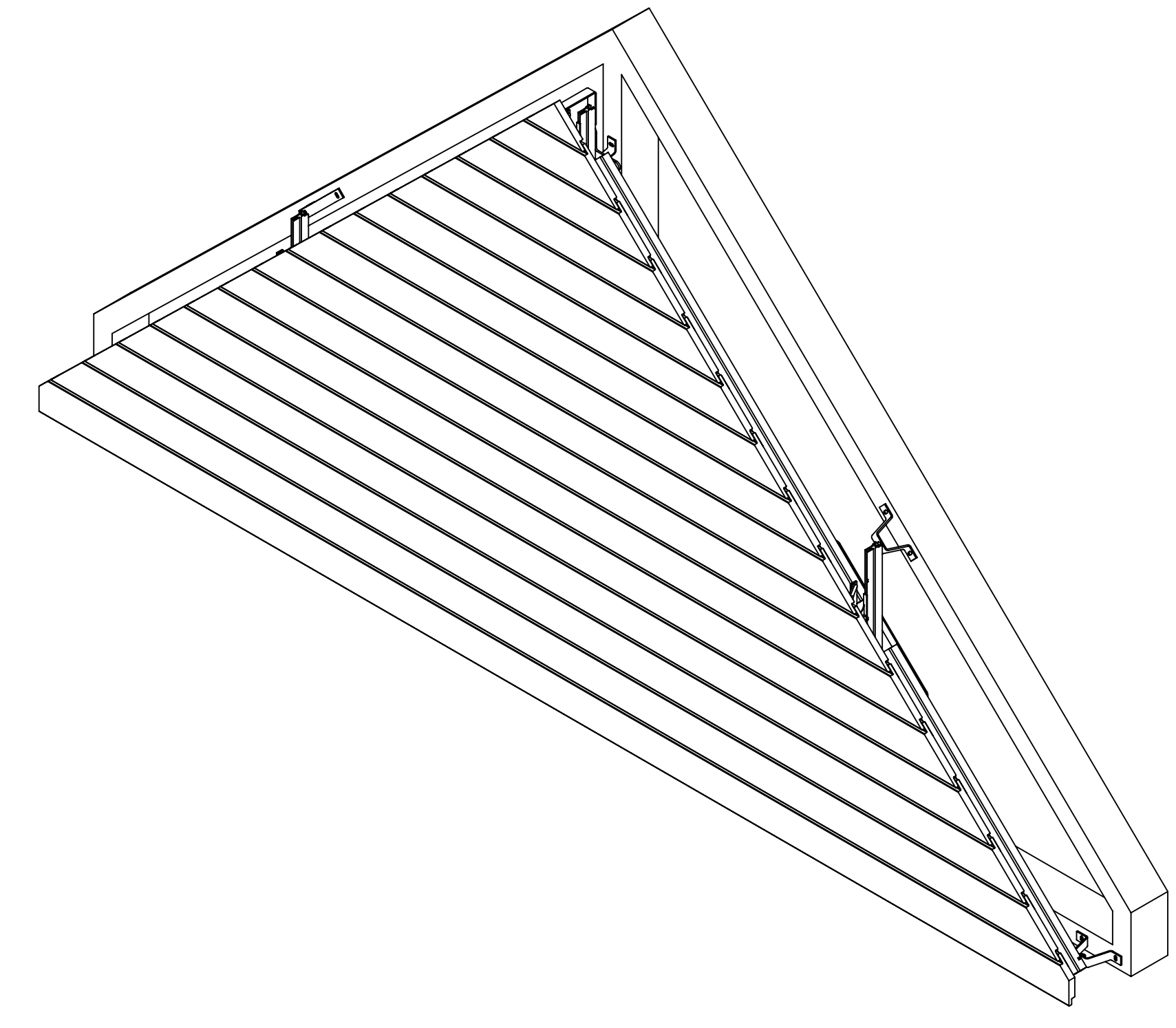




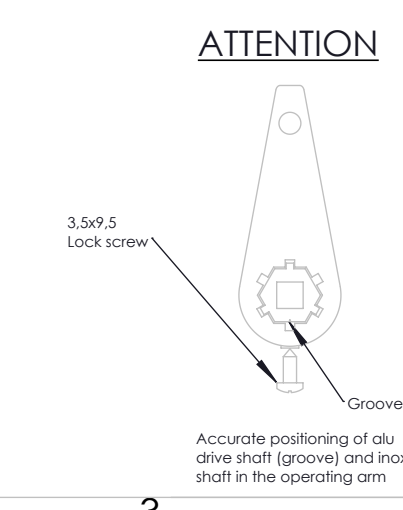




98W Louver Dimensions



Louver Excluded



FASTENERS FOR INSTALLATION EXCLUDED (third party)				FASTENERS FOR SYSTEM ASSEMBLY INCLUDED			
MATERIAL		DATE	4-10-2021	RACK ARMS & PARTS	RAL 7015 30%		
CUSTOMER		SCALE	1:3	LOUVERS	RAL 7015 30%		
DESCRIPTION		ENGINEER	SD	PLASTIC PARTS	Black		
PROJECT NR	2108004	QTY	1	Ext	2108004-01-000	44	A0
Customer's Ref	NL 4941 V1	STATE	Approved	98W			
Approved by		REV	01				

