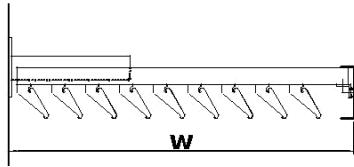


BRACKET SYSTEMS

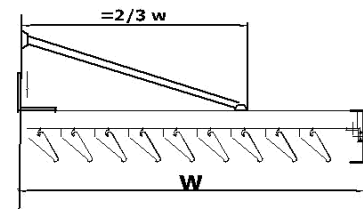
T BRACKET SYSTEM



T Bracket & Rafter 50x30:

T Bracket : 60x8 max : 900 mm
: 80x8 max : 1500 mm

STRUT - SYSTEM



Strut : Rafter 50 x 30 max : 1800 mm
: Rafter 90 x 30 max : 2200 mm

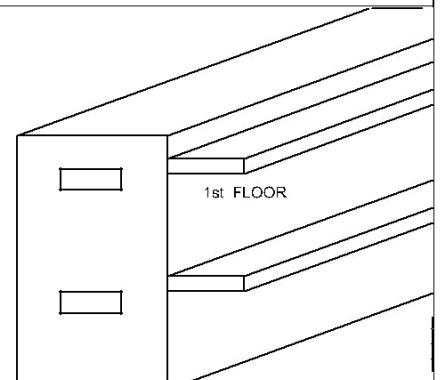
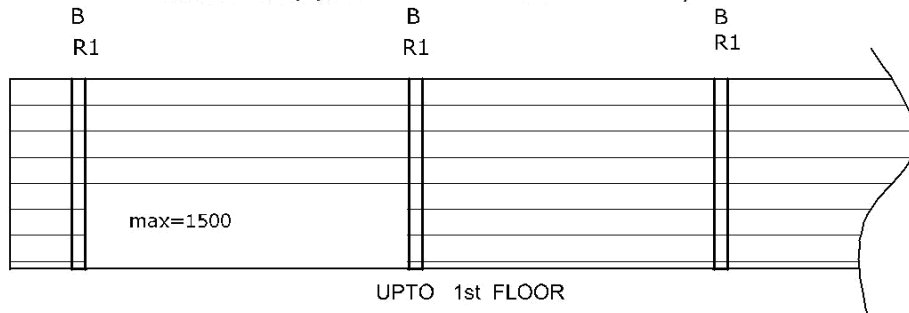
RAFTER SPACING - Within the geographical areas: UK - IR - NL - DK - BE - FR (west)

RAFTER SPACING **B** = T Bracket or strut

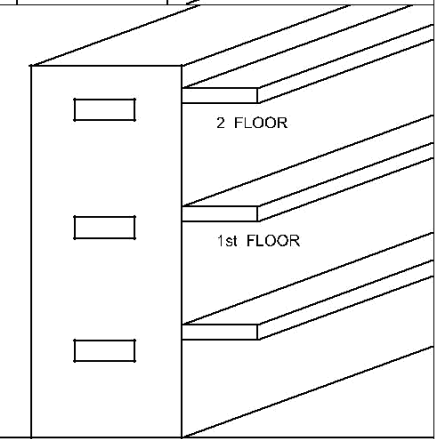
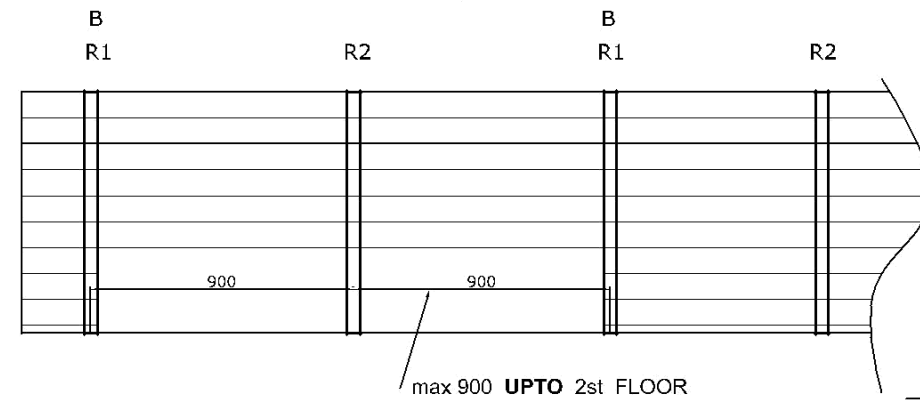
R1 = main rafter

MAIN RAFTERS ONLY

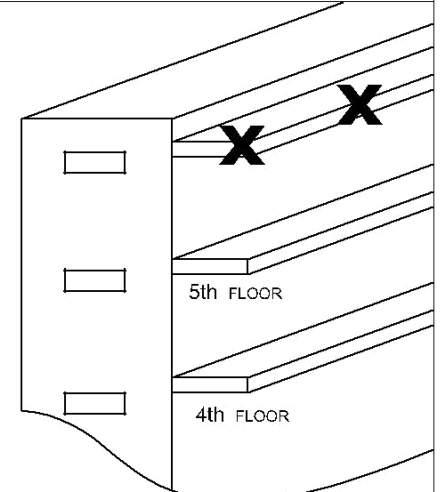
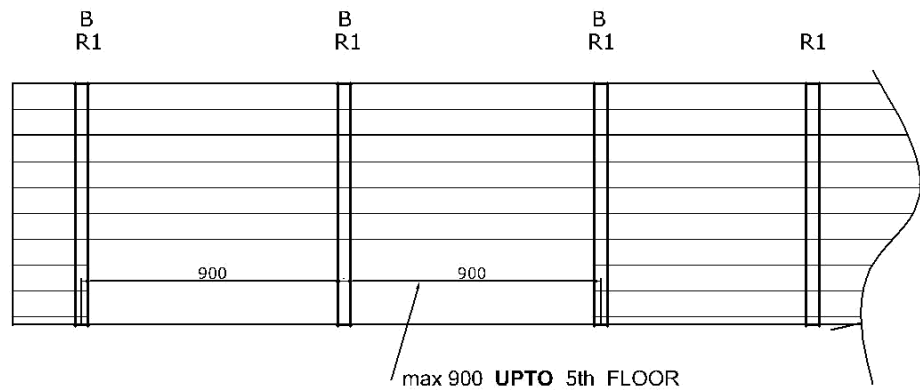
R2 = Intermediary rafter



MAIN RAFTERS & intermediary rafters

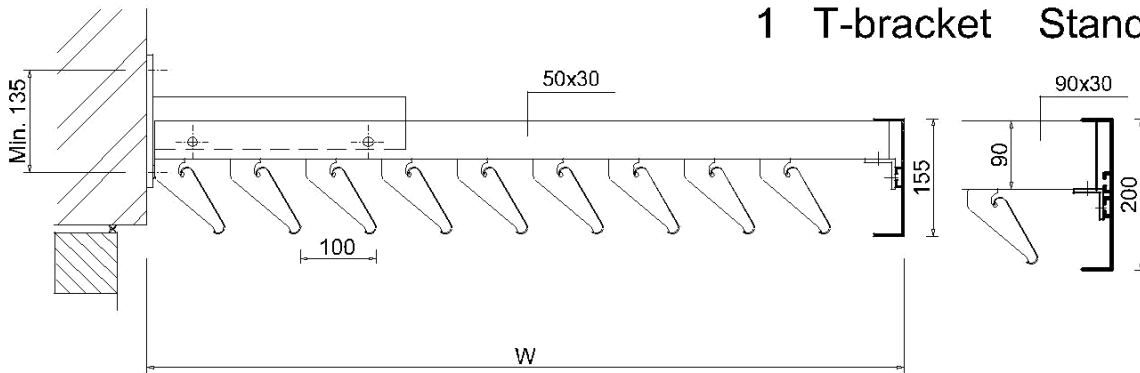


MAIN RAFTERS ONLY

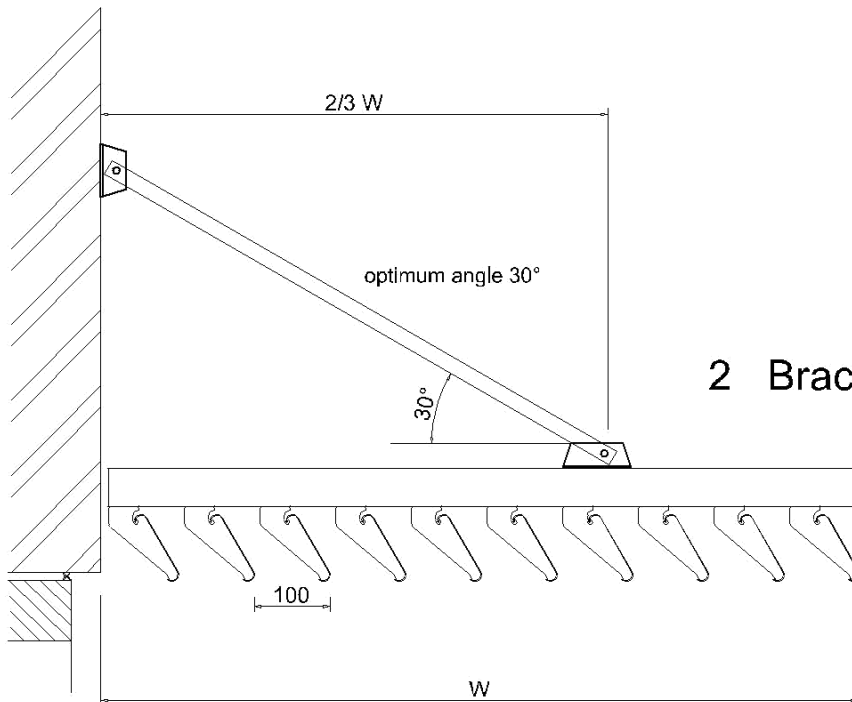




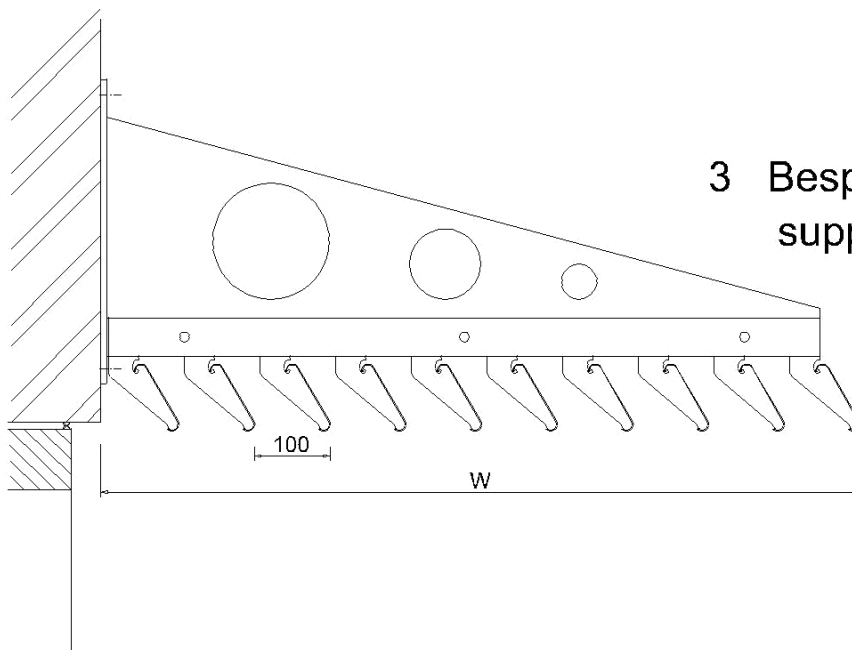
1 T-bracket Standard



2 Bracing strut system

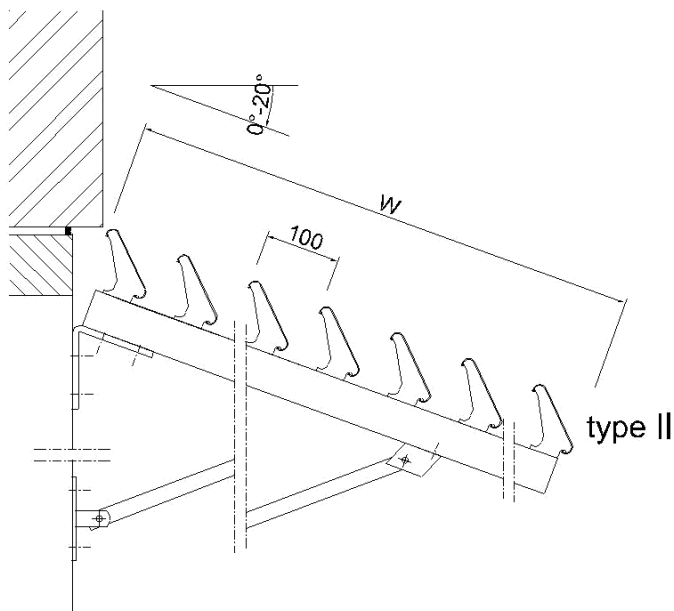
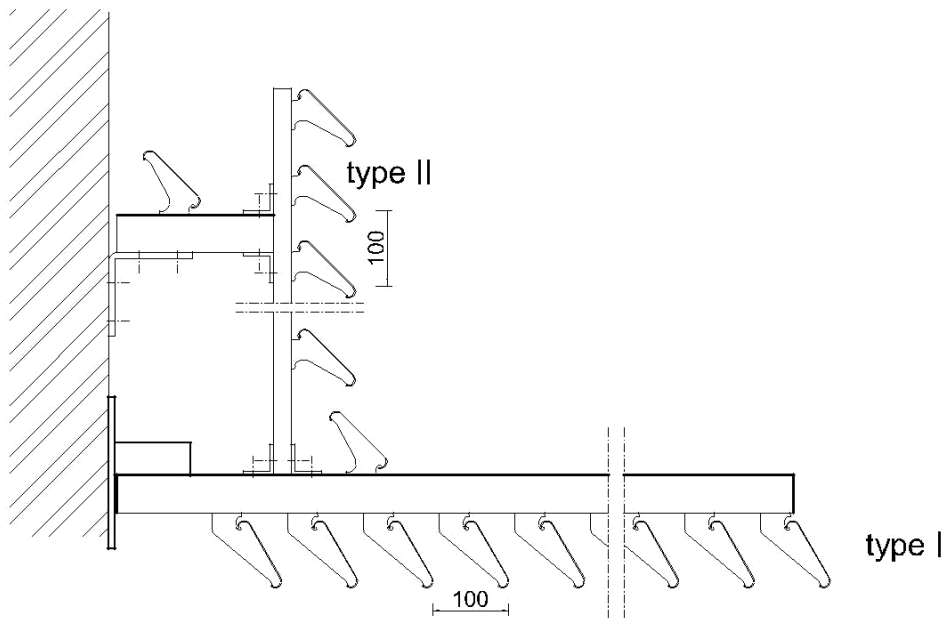
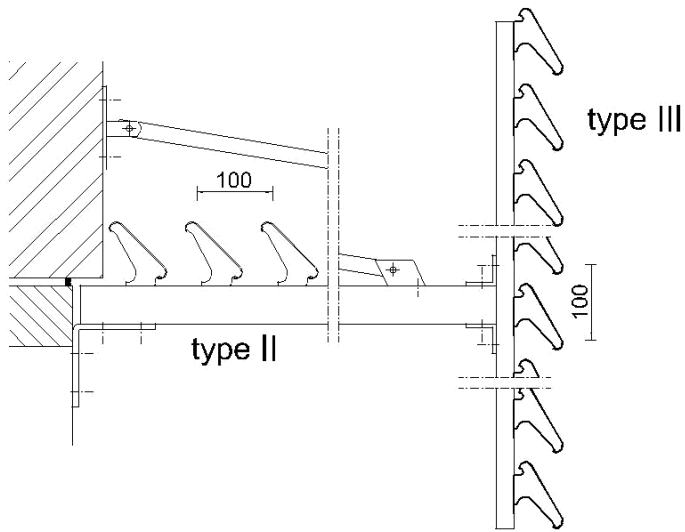


3 Bespoke design support

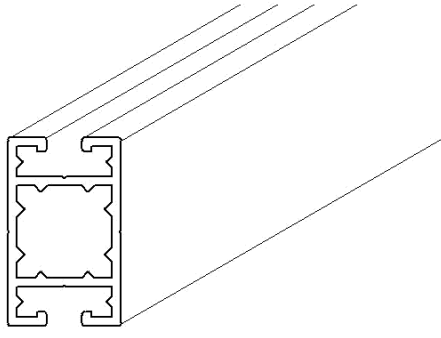
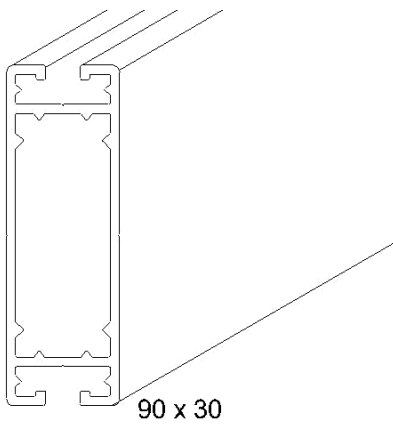
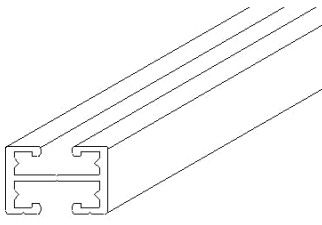
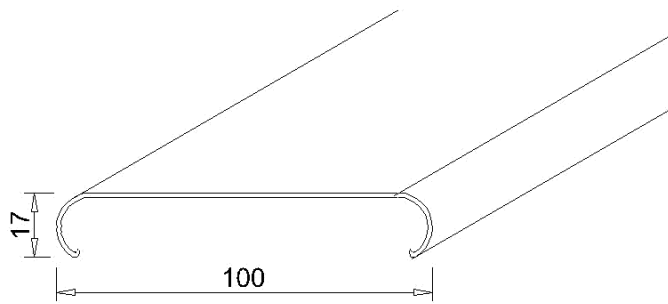




4 various examples
of application





Code		
10.050	 50 x 30	<ul style="list-style-type: none"> - rafter - porteur - Träger - drager
10.090	 90 x 30	<ul style="list-style-type: none"> - rafter - porteur - Träger - drager
10.020	 20 x 30	<ul style="list-style-type: none"> - rafter - porteur - Träger - drager
10.100	 17 100	<ul style="list-style-type: none"> - C-Louver - C-Lamelle - C-Lame - C-Lamel

add to :
ajoutez à :
zufügen :
toevoegen :

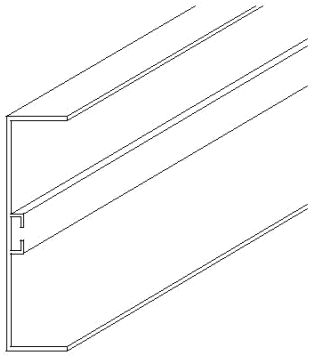
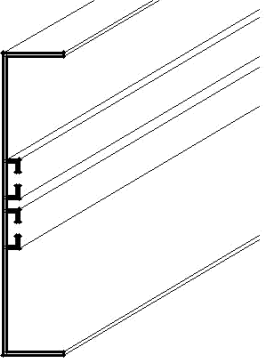
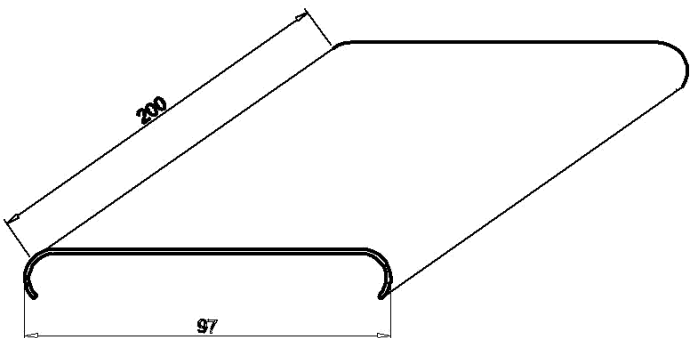
Code ...

Aluminium
+00 mill finish /alu non traité / roh Alu / brut
+01 anodised / anodisé / eloxiert / geanodiseerd
+02 RAL + RAL-Nr.

Nylon components

+00 silver / gris / Silber / zilver
+01 black / noir / Schwarz / zwart
+02 brown / marron / braun / bruin



Code		
10.150	 <p style="text-align: center;">40x155x40</p>	<ul style="list-style-type: none"> - facia - facia - Blende - Fries - voorlijst
10.200	 <p style="text-align: center;">40x200x40</p>	<ul style="list-style-type: none"> - facia - facia - Blende - Fries - voorlijst
10.097		<ul style="list-style-type: none"> - couple louver - lame à couple - verbindungs Lamel - koppel lamel

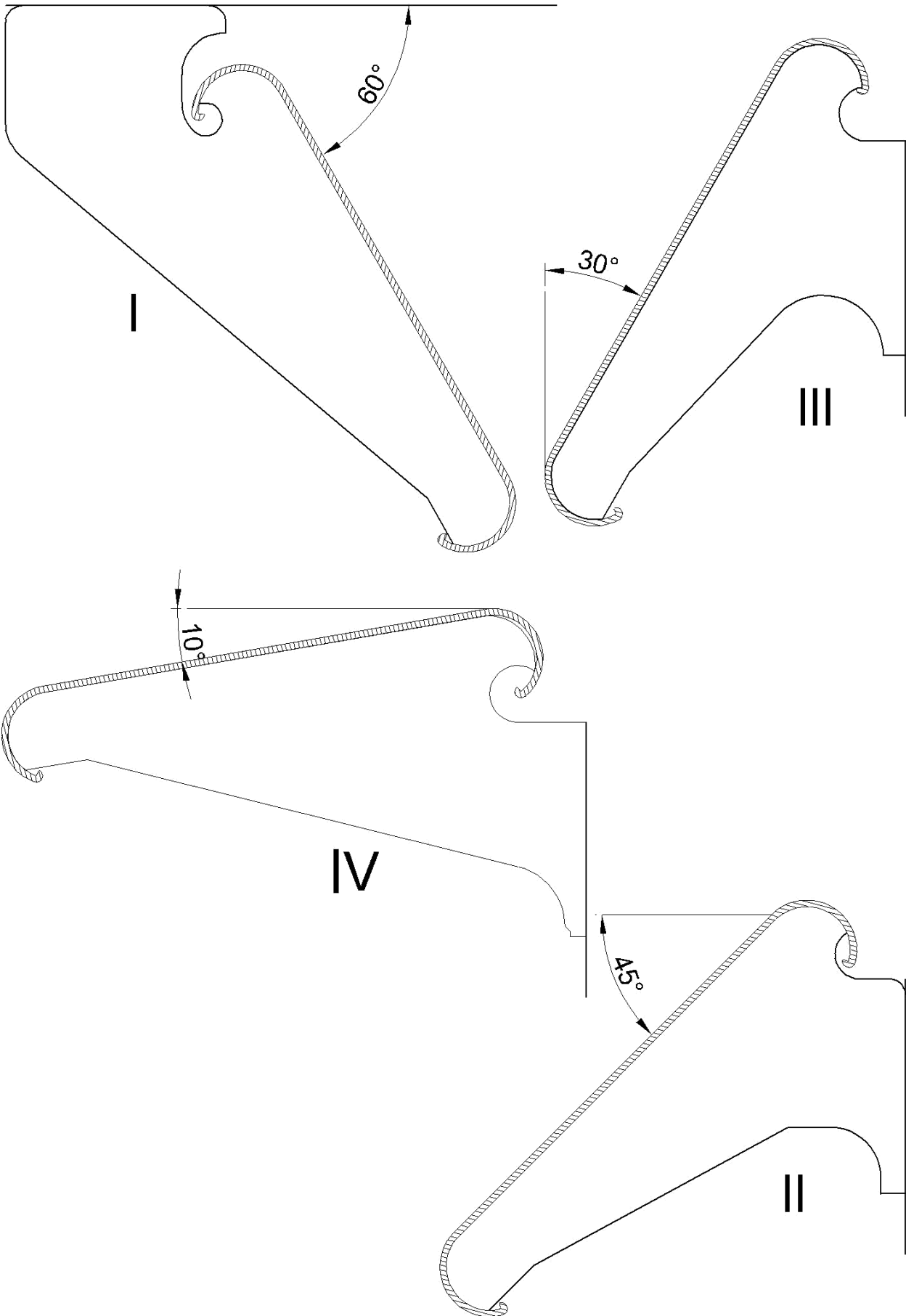
add to
ajoutez à
zuffügen
toevoegen

Code ...

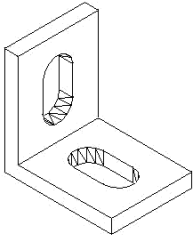
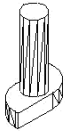
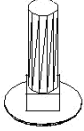
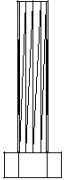
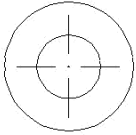
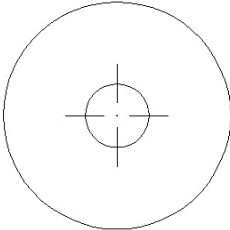
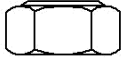
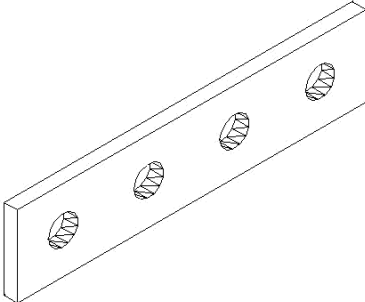
Aluminium
+00 mill finish / alu non traité / roh Alu / brut
+01 anodised / anodisé / eloxiert / geanodiseerd
+02 RAL + RAL-Nr.

Nylon components

+00 silver / gris / Silber / zilver
+01 black / noir / Schwarz / zwart
+02 brown / marron / braun / bruin





<p>Code</p> <p>10.172</p>	 <p>40x40x30x4</p>	<ul style="list-style-type: none"> - connecting angle - support d'angle - Verbindungswinkel - verbindingshoek
	 <p>T-bolt M8x20</p>  <p>mushroom head M8x20</p>  <p>M8x40</p>	<p>construction bolts nuts and washers Inox</p>
	 <p>M8</p>  <p>Ø30</p>  <p>bolt M8</p>	
<p>10.174</p>	 <p>130x30x5</p>	<ul style="list-style-type: none"> - couple strip - connecteur - Kuppelstück - koppelstrip

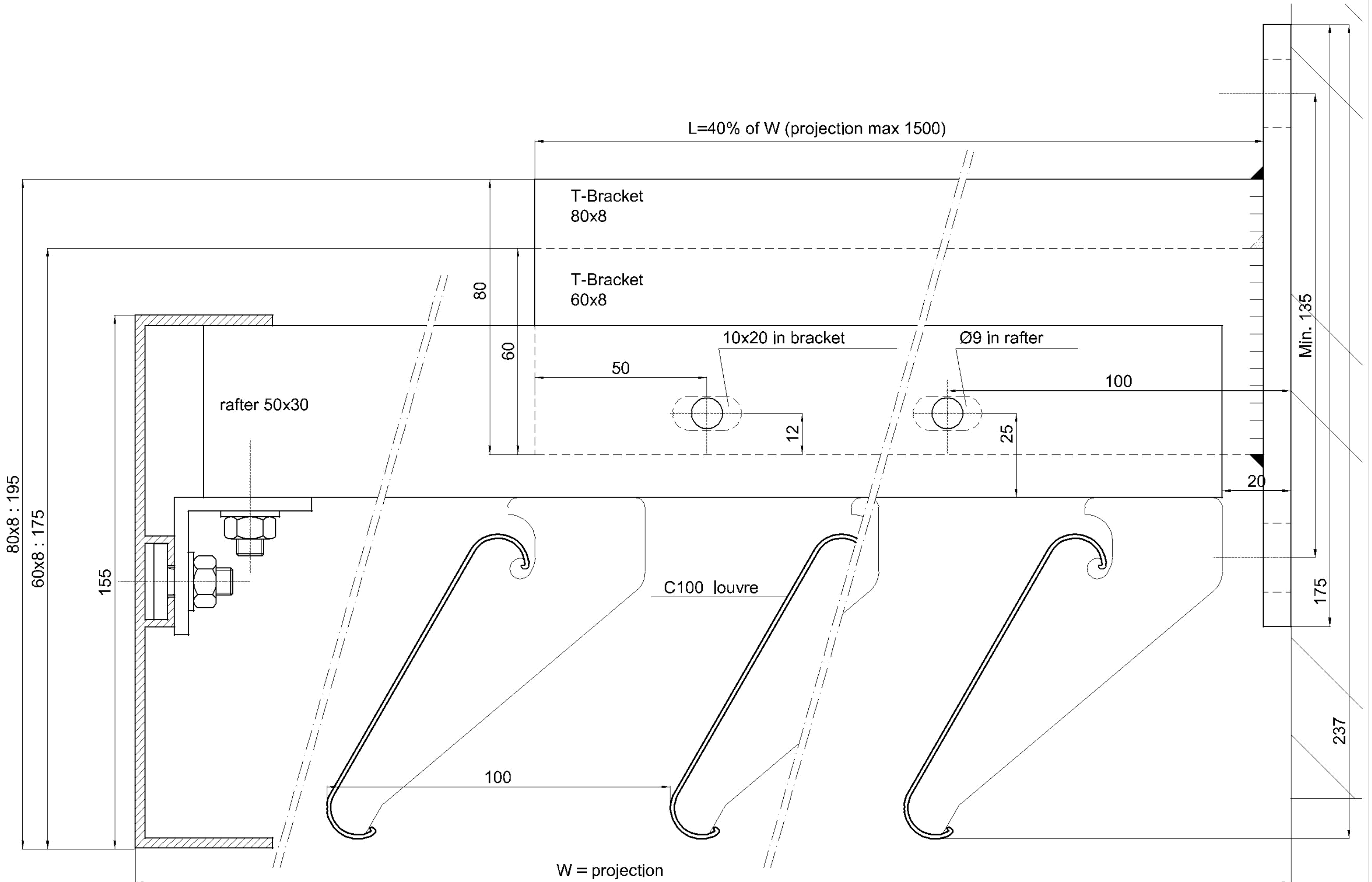
add to :
ajoutez à :
zufügen :
toevoegen :

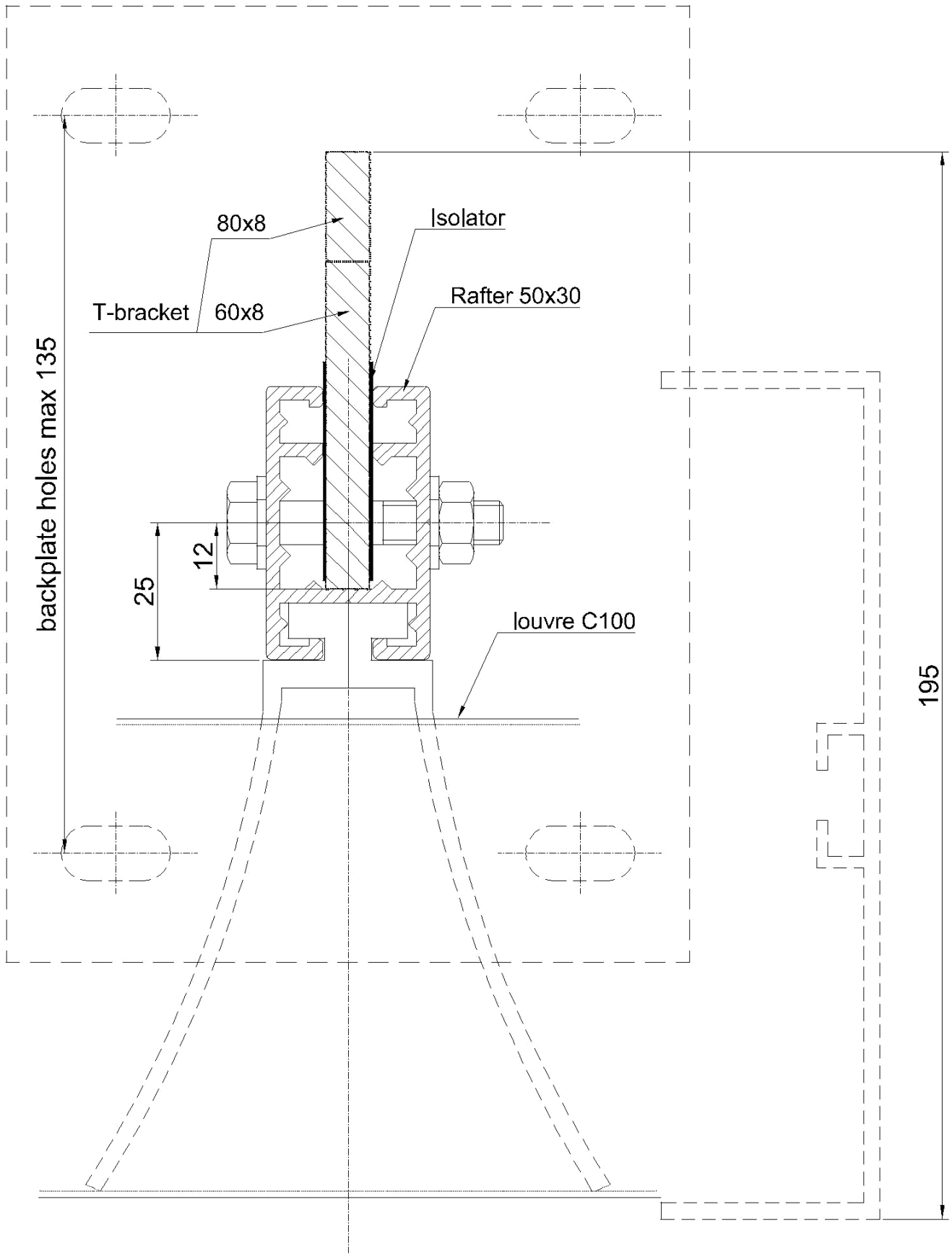
Code ...

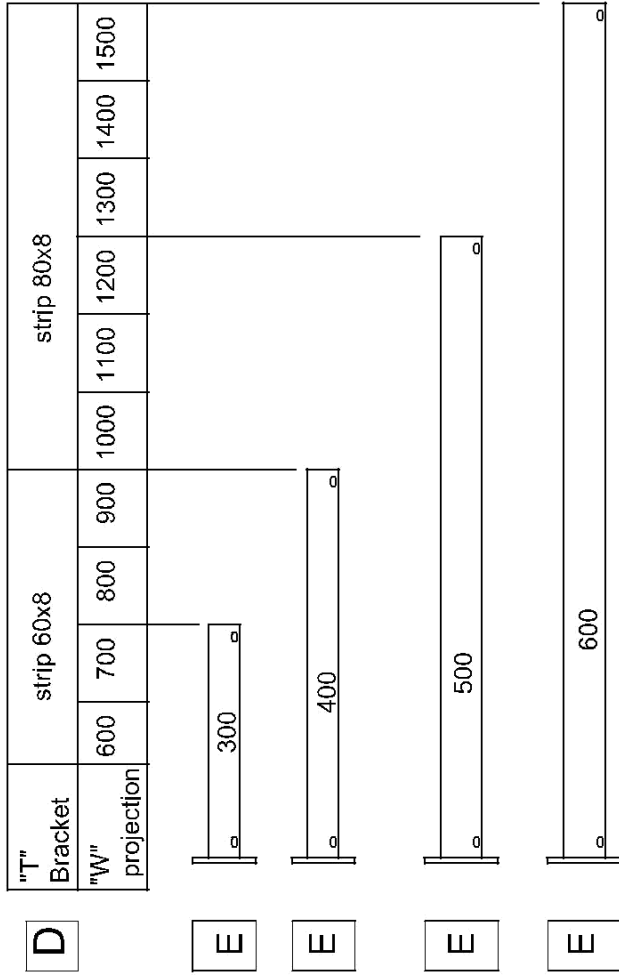
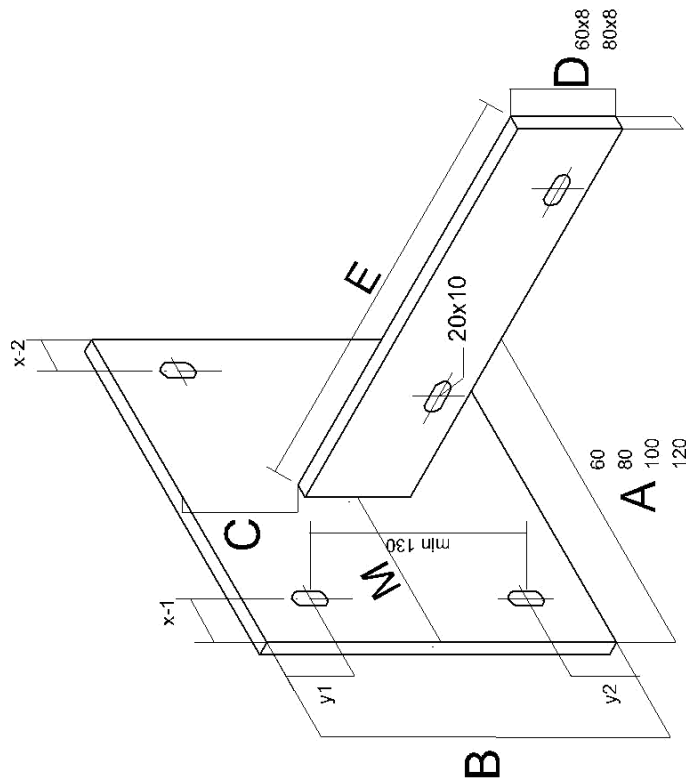
Aluminium
+00 mill finish /alu non traité / roh Alu / brut
+01 anodised / anodisé / eloxiert / geanodiseerd
+02 RAL + RAL-Nr.

Nylon components

+00 silver / gris / Silber / zilver
+01 black / noir / Schwarz / zwart
+02 brown / marron / braun / bruin







T BRACKET

A	B	C	D	E	M	X1	X2	Y1	Y2



1:5

